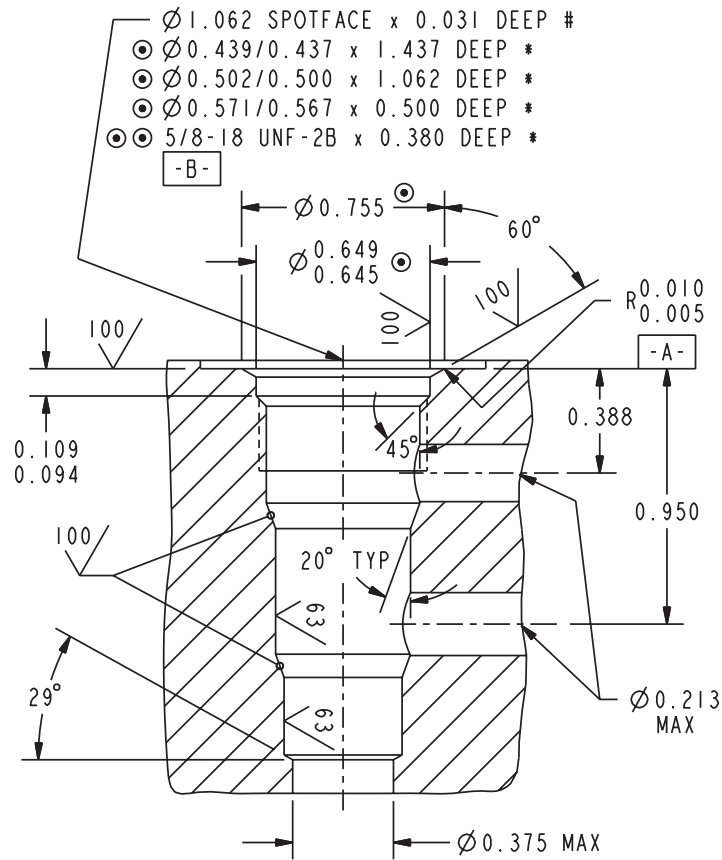


Series 07 Cartridge Cavities

VC07-3



NOTES:

- THE ABOVE FEATURES (EXCEPT FOR PILOT DRILL AND CROSS DRILLS) CAN BE MACHINED SIMULTANEOUSLY USING HYDRAFORCE FORM TOOLS. CONSULT FACTORY.

\odot	\perp	0.001	A	$\odot \odot$	\perp	0.001	A
	↗	0.002	B		\bigcirc	0.0009	(PITCH DIA)

- * - DEPTHS ARE FROM DATUM -A- .
- # - UNLESS OTHERWISE SPECIFIED ON MACHINING DRAWING.
- UNSPECIFIED TOLERANCES ARE ± 0.005 .
- UNSPECIFIED ANGULAR DIMENSIONS $\pm 3^\circ$.