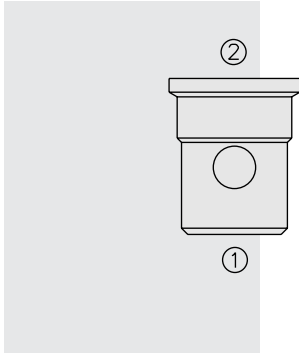


HOUSINGS AND ACCESSORY PRODUCTS

CVD08 08-Size Check Valve Disc



DESCRIPTION

A drop-in, cartridge-style check valve disc designed to conveniently integrate with a 5-way directional cartridge as a load sense check on port ①. The valve requires a modified cavity as indicated below.

OPERATION

The **CVD08** check valve disc allows free flow from port ② to port ①, while normally blocking flow in the opposite direction.

FEATURES

- Hardened parts for long life.
- Heavy duty construction.
- Industry common cavity.

RATINGS

Operating Pressure: 250 bar (3625 psi)

Internal Leakage: Maximum: 25 ml/minute (1.5 cu. in./minute) at 207 bar (3000 psi)

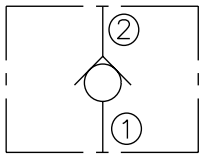
Operating Temperature: -40 to 120°C (-40° to 248°F)

Materials: Steel with hardened work surfaces

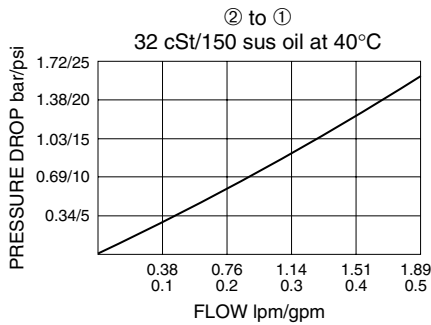
Weight: 0.01 kg. (0.02 lb.)

SYMBOL

USASI/ISO:



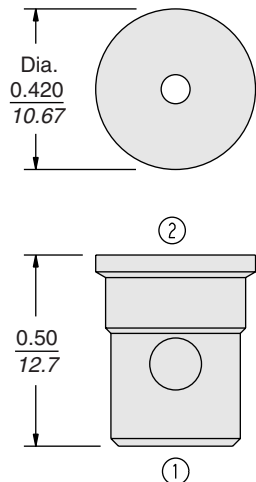
PERFORMANCE (Disc Only)



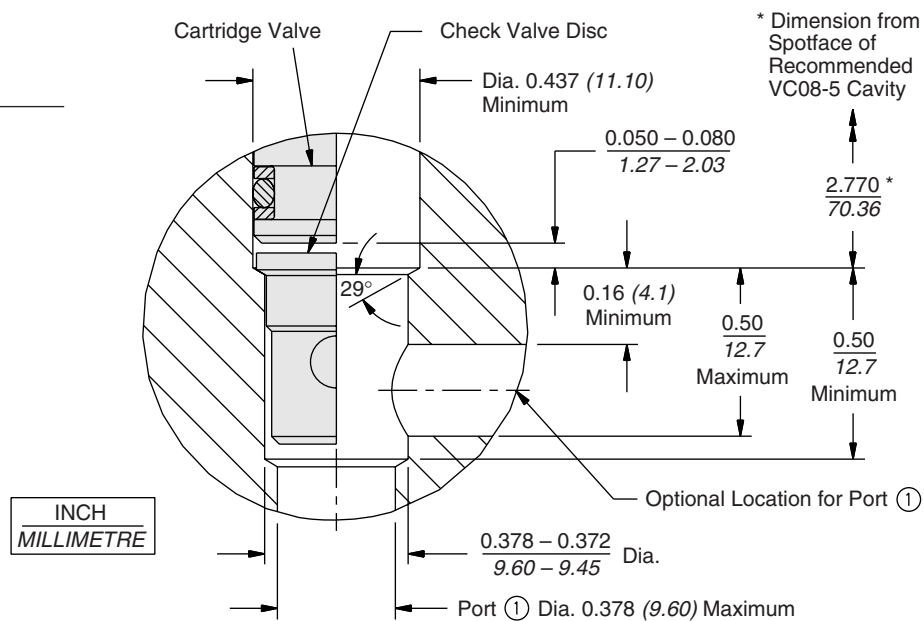
TO ORDER

Model No: CVD08

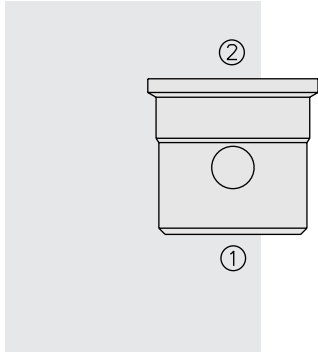
DIMENSIONS



INSTALLATION (See VC08-5 Cavity Detail, page 9.108.3)



CVD10 10-Size Check Valve Disc



DESCRIPTION

A drop-in, cartridge-style check valve disc designed to conveniently integrate with a 5-way directional cartridge as a load sense check on port ①. The valve requires a modified cavity as indicated below.

OPERATION

The **CVD10** check valve disc allows free flow from port ② to port ①, while normally blocking flow in the opposite direction.

FEATURES

- Hardened parts for long life.
- Heavy duty construction.
- Industry common cavity.

RATINGS

Operating Pressure: 250 bar (3625 psi)

Internal Leakage: Maximum: 25 ml/minute (1.5 cu. in./minute) at 207 bar (3000 psi)

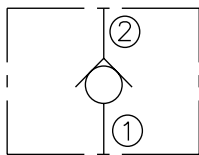
Operating Temperature: -40 to 120°C (-40° to 248°F)

Materials: Steel with hardened work surfaces

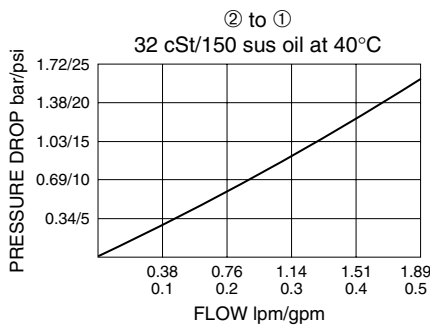
Weight: 0.01 kg. (0.02 lb.)

SYMBOL

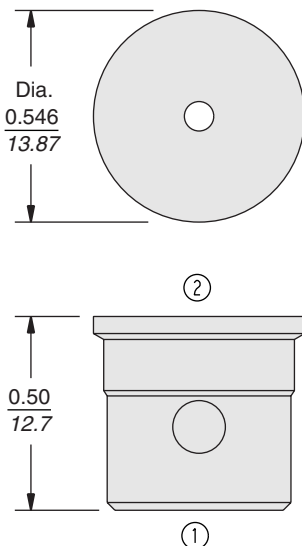
USASI/ISO:



PERFORMANCE (Disc Only)



DIMENSIONS



INSTALLATION (See VC10-5 Cavity Detail, page 9.110.6)

