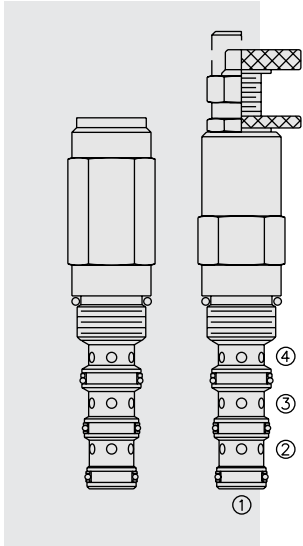


PRESSURE CONTROLS

PS10-43 Sequence, 3-Way, External Pilot/Internal Drain



DESCRIPTION

A screw-in, cartridge-style, direct-acting, spool-type, hydraulic sequence valve with external pilot and internal spring chamber drain. It is designed to function as a remote pilot-operated three-way valve.

OPERATION

In neutral (unpiloted), the **PS10-43** allows flow between ③ and ② bidirectionally, while blocking at ④.

The spring chamber is constantly vented at ④.

On attainment of a pre-determined pressure at ①, the cartridge shifts to close ③ to ②, while opening ③ to ④. Note that back-pressure value at ④ must be added to the selected pressure setting to determine pilot pressure.

FEATURES

- Adjustments cannot be backed out of the valve.
- Adjustments prohibit springs from going solid.
- Optional spring ranges to 151.7 bar (2200 psi).
- Hardened precision spool and cage for long life.
- Industry common cavity.

RATINGS

Operating Pressure: 240 bar (3500 psi)

Flow: See Performance Chart

Internal Leakage: 82 cc/minute (5 cu. in./minute) max. to 85% of nominal setting

Standard Spring Ranges: 2.8 to 27.6 bar (40 to 400 psi);
15.2 to 151.7 bar (220 to 2200 psi)

Temperature: -40 to 120°C with standard Buna seals

Filtration: See page 9.010.1

Fluids: Mineral-based or synthetics with lubricating properties at viscosities of 7.4 to 420 cSt (50 to 2000 sus); See Temperature and Oil Viscosity, page 9.060.1

Installation: No restrictions; See page 9.020.1

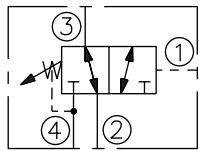
Cavity: VC10-4; See page 9.110.1

Cavity Tool: CT10-4XX; See page 8.600.1

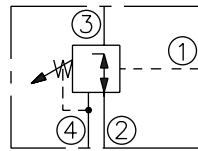
Seal Kit: SK10-4X-BMM; See page 8.650.1

SYMBOLS

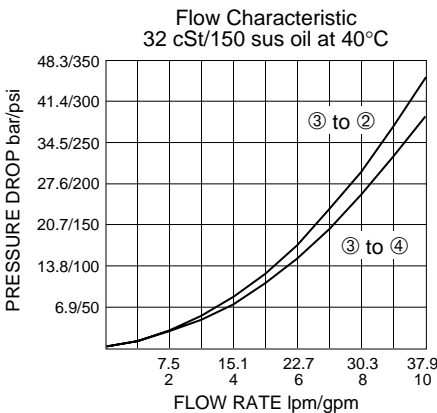
USASI:



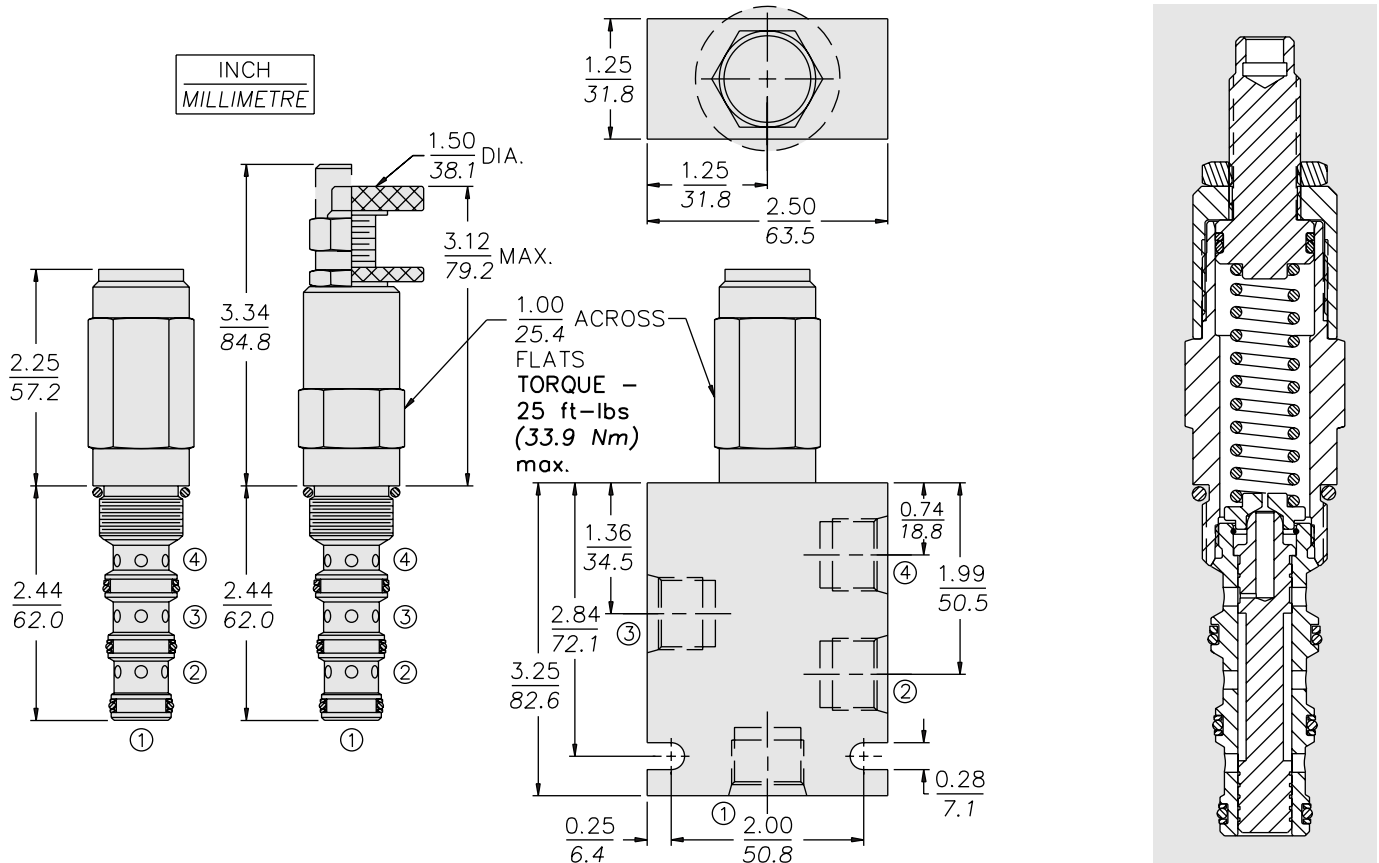
ISO:



PERFORMANCE (Cartridge Only)



DIMENSIONS



MATERIALS

Cartridge: Weight: 0.34 kg. (0.70 lbs.)
Steel with hardened work surfaces.
Zinc-plated exposed surfaces.
Buna N O-rings and polyester elastomer back-ups standard.
Anodized aluminum knobs and caps.

Standard Ported Body: Weight: 0.34 kg. (0.70 lbs.) Anodized high-strength 6061 T6 aluminum alloy, rated to 207 bar (3000 psi). Ductile iron bodies available; dimensions may differ. See page 8.010.1

TO ORDER

