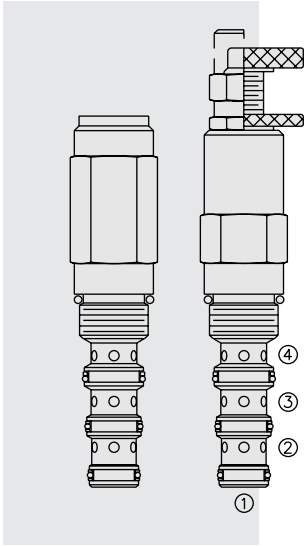


PRESSURE CONTROLS

PS50-40 Sequence, Normally Closed . . .



DESCRIPTION

A screw-in, cartridge-style, direct-acting, spool-type, hydraulic sequence valve with external pilot and spring chamber drain. It is designed to function as a pressure-signalled, remote pilot-operated, two-way, normally closed valve. A separate spring chamber drain galley allows port ③ or ② to be fully pressurized.

OPERATION

In neutral (unpiloted), the **PS50-40** blocks flow between ③ and ② bidirectionally. The spring chamber is constantly vented at ④. On attainment of a pre-determined pressure at ①, the cartridge shifts to open ③ to ② bidirectionally.

FEATURES

- Adjustments cannot be backed out of the valve.
- Adjustments prohibit springs from going solid.
- Optional spring ranges to 241 bar (3500 psi).
- Hardened precision spool and cage for long life.
- Industry common cavity.

RATINGS

Operating Pressure: 345 bar (5000 psi)

Flow: See Performance Chart

Internal Leakage: 82 cc/minute (5 cu. in./minute) max. to 85% of nominal setting

Spring Ranges: 2.8 to 27.6 bar (40 to 400 psi); 20.7 to 241 bar (300 to 3500 psi)

Temperature: -40 to 120°C with standard Buna seals

Filtration: See page 9.010.1

Fluids: Mineral-based or synthetics with lubricating properties at viscosities of 7.4 to 420 cSt (50 to 2000 sus); See Temperature and Oil Viscosity, page 9.060.1

Installation: No restrictions; See page 9.020.1

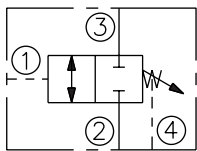
Cavity: VC10-4; See page 9.110.1

Cavity Tool: CT10-4XX; See page 8.600.1

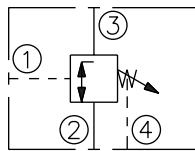
Seal Kit: SK10-4P-BMM; See page 8.650.1

SYMBOLS

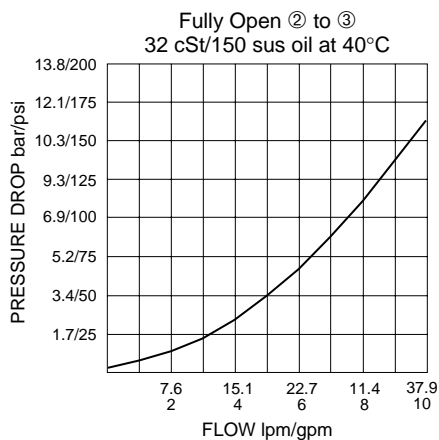
USASI:



ISO:



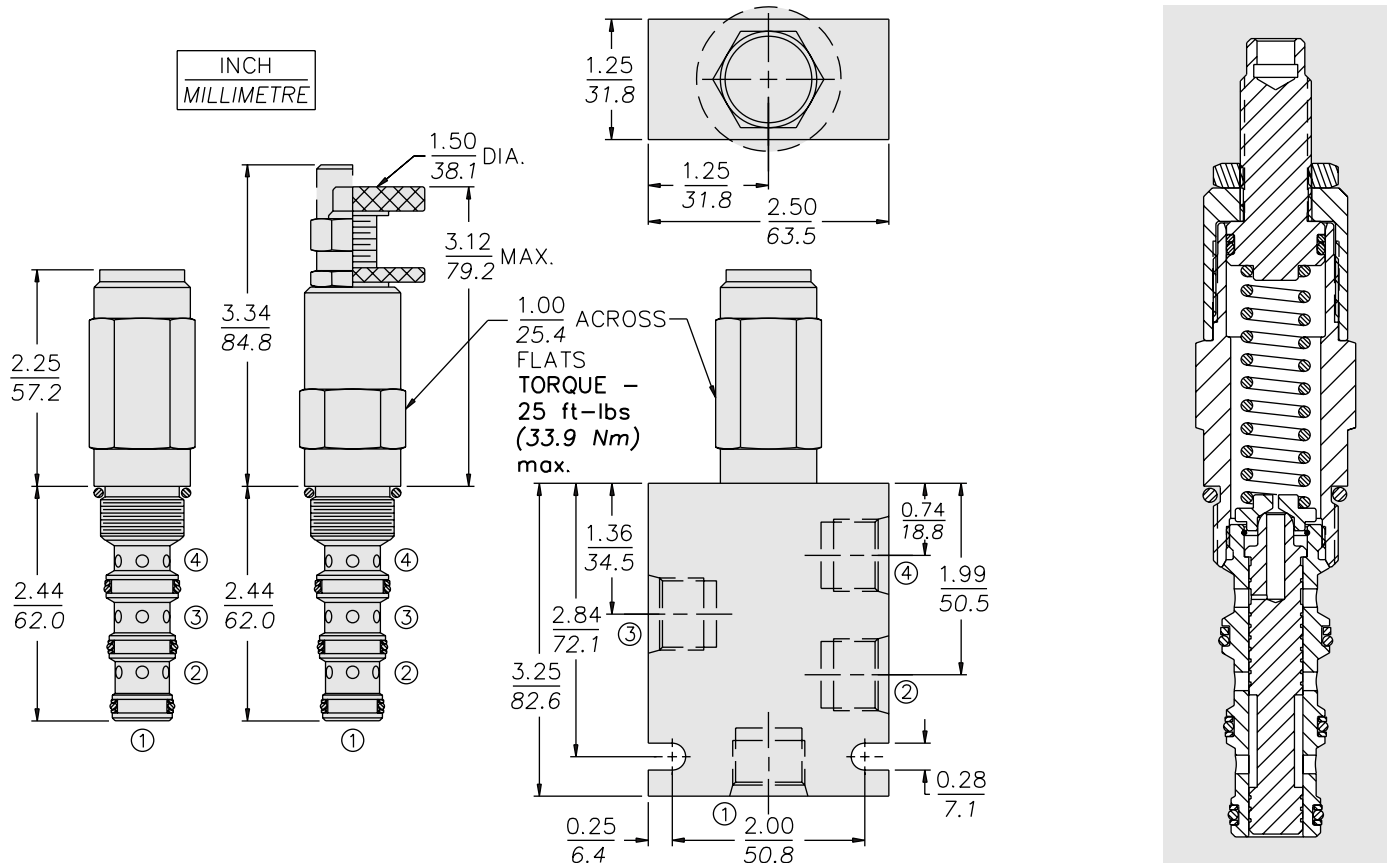
PERFORMANCE (Cartridge Only)



with External Pilot and Drain

PS50-40

DIMENSIONS

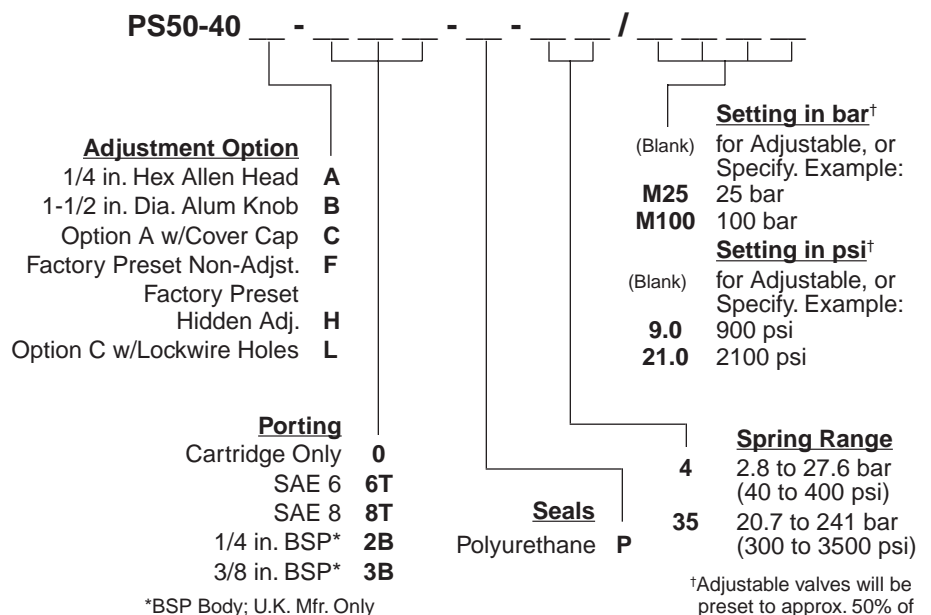


MATERIALS

Cartridge: Weight: 0.34 kg. (0.70 lbs.)
 Steel with hardened work surfaces.
 Zinc-plated exposed surfaces.
 Buna N O-rings and polyester elastomer back-ups standard.
 Anodized aluminum knobs and caps.

Standard Ported Body: Weight: 0.34 kg. (0.70 lbs.); Anodized high-strength 6061 T6 aluminum alloy, rated to 207 bar (3000 psi). Ductile iron body required for operation over 207 bar (3000 psi), dimensions may differ. See page 8.010.1

TO ORDER



Note: Ductile Iron body required for operation over 241 bar (3500 psi).