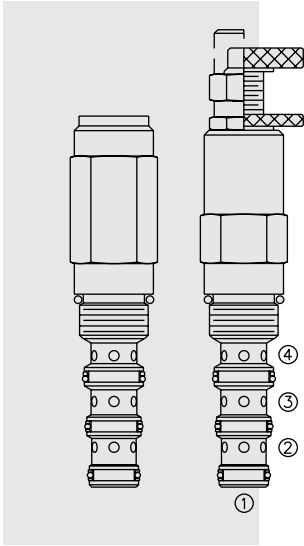


# PRESSURE CONTROLS

## PS10-40 Sequence, Normally Closed . . .



### DESCRIPTION

A screw-in, cartridge-style, direct-acting, spool-type, hydraulic sequence valve with external pilot and spring chamber drain. It is designed to function as a pressure-signalled, remote pilot-operated, two-way, normally closed valve. A separate spring chamber drain galley allows port ③ or ② to be fully pressurized.

### OPERATION

In neutral (unpiloted), the **PS10-40** blocks flow between ③ and ② bidirectionally. The spring chamber is constantly vented at ④. On attainment of a pre-determined pressure at ①, the cartridge shifts to open ③ to ② bidirectionally.

### FEATURES

- Adjustments cannot be backed out of the valve.
- Adjustments prohibit springs from going solid.
- Optional spring ranges to 151.7 bar (2200 psi).
- Hardened precision spool and cage for long life.
- Industry common cavity.

### RATINGS

**Operating Pressure:** 240 bar (3500 psi)

**Flow:** See Performance Chart

**Internal Leakage:** 82 cc/minute (5 cu. in./minute) max. to 85% of nominal setting

**Spring Ranges:** 2.8 to 27.6 bar (40 to 400 psi); 15.2 to 151.7 bar (220 to 2200 psi)

**Temperature:** -40 to 120°C with standard Buna seals

**Filtration:** See page 9.010.1

**Fluids:** Mineral-based or synthetics with lubricating properties at viscosities of 7.4 to 420 cSt (50 to 2000 sus); See Temperature and Oil Viscosity, page 9.060.1

**Installation:** No restrictions; See page 9.020.1

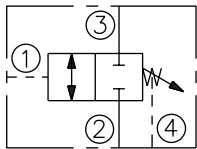
**Cavity:** VC10-4; See page 9.110.1

**Cavity Tool:** CT10-4XX; See page 8.600.1

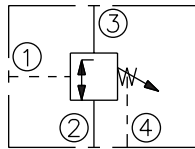
**Seal Kit:** SK10-4X-BMM; See page 8.650.1

### SYMBOLS

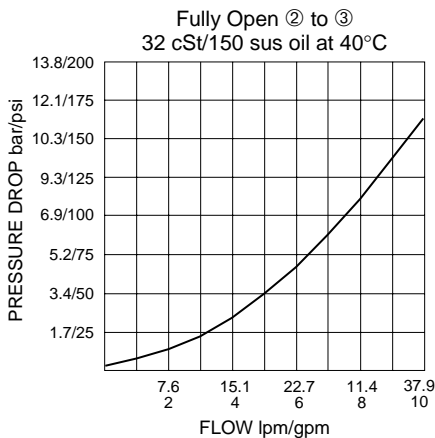
#### USASI:



#### ISO:



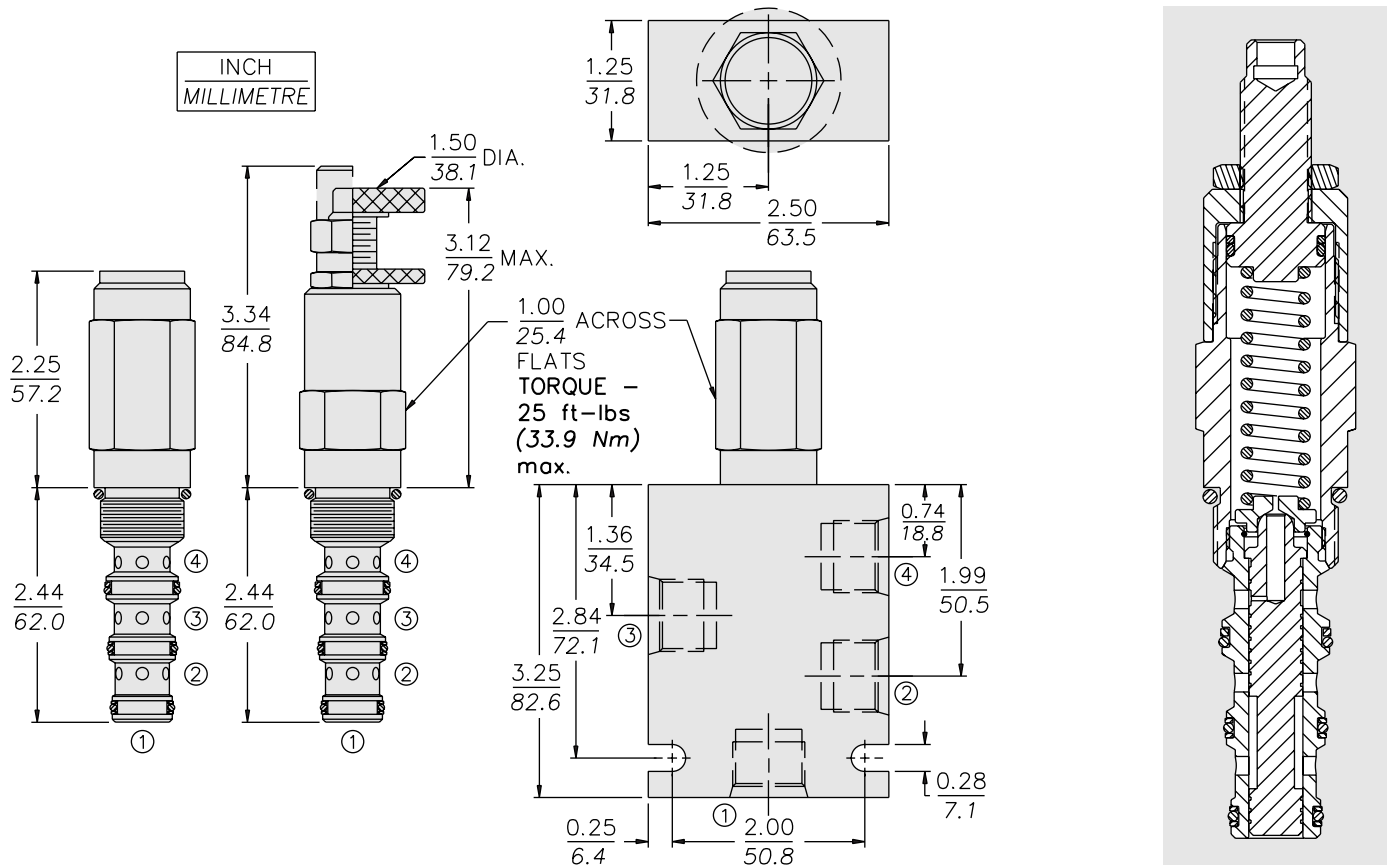
### PERFORMANCE (Cartridge Only)



# with External Pilot and Drain

# PS10-40

## DIMENSIONS



## MATERIALS

**Cartridge:** Weight: 0.34 kg. (0.70 lbs.)  
Steel with hardened work surfaces.  
Zinc-plated exposed surfaces.  
Buna N O-rings and polyester  
elastomer back-ups standard.  
Anodized aluminum knobs  
and caps.

**Standard Ported Body:** Weight:  
0.34 kg. (0.70 lbs.) Anodized high-  
strength 6061 T6 aluminum alloy,  
rated to 207 bar (3000 psi). Ductile  
iron bodies available, dimensions  
may differ. See page 8.010.1

## TO ORDER

