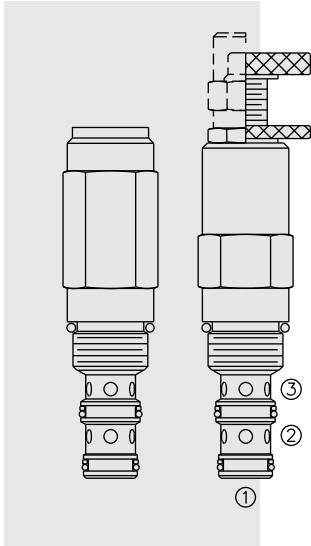


PRESSURE CONTROLS

PS50-36 Pilot-Operated Sequence, Internal Pilot,



DESCRIPTION

A screw-in, cartridge-style, direct-acting, spool-type, hydraulic sequence valve with internal pilot and spring chamber drain.

OPERATION

In its steady state, the **PS50-36** blocks flow from ① to ②, with the spring chamber drained at ③.

On attainment of a predetermined pressure at ①, the cartridge shifts to open ① to ②. Note that back-pressure on ③ adds to the spring setting value.

FEATURES

- Adjustments cannot be backed out of the valve.
- Adjustments prohibit springs from going solid.
- Spring range to 331 bar (4800 psi).
- Hardened spool and cage for long life.
- Industry common cavity.

RATINGS

Operating Pressure: 331 bar (4800 psi) on ports ① and ②;
240 bar (3500 psi) on port ③

Sequence Pressure Max.: 331 bar (4800 psi)

Flow: See Performance Chart

Internal Leakage: 82 cc/minute (5 cu. in./minute) max. to 85% of nominal setting

Pilot Orifice: Pilot-operated through 0.51 mm (0.20 inch) hole

Crack Pressure Defined: bar (psi) evident at 0.95 lpm (0.25 gpm) attained ① to ②

Standard Spring Range: 27.6 to 331 bar (400 to 4800 psi)

Temperature: -40 to 120°C with standard Buna seals

Filtration: See page 9.010.1

Fluids: Mineral-based or synthetics with lubricating properties at viscosities of 7.4 to 420 cSt (50 to 2000 sus); See Temperature and Oil Viscosity, page 9.060.1

Installation: No restrictions; See page 9.020.1

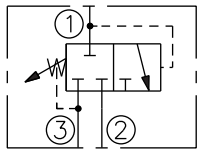
Cavity: VC10-3; See page 9.110.1

Cavity Tool: CT10-3XX; See page 8.600.1

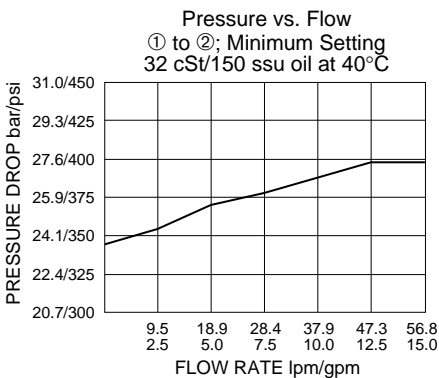
Seal Kit: SK10-3P-BM; See page 8.650.1

SYMBOLS

USASI/ISO:



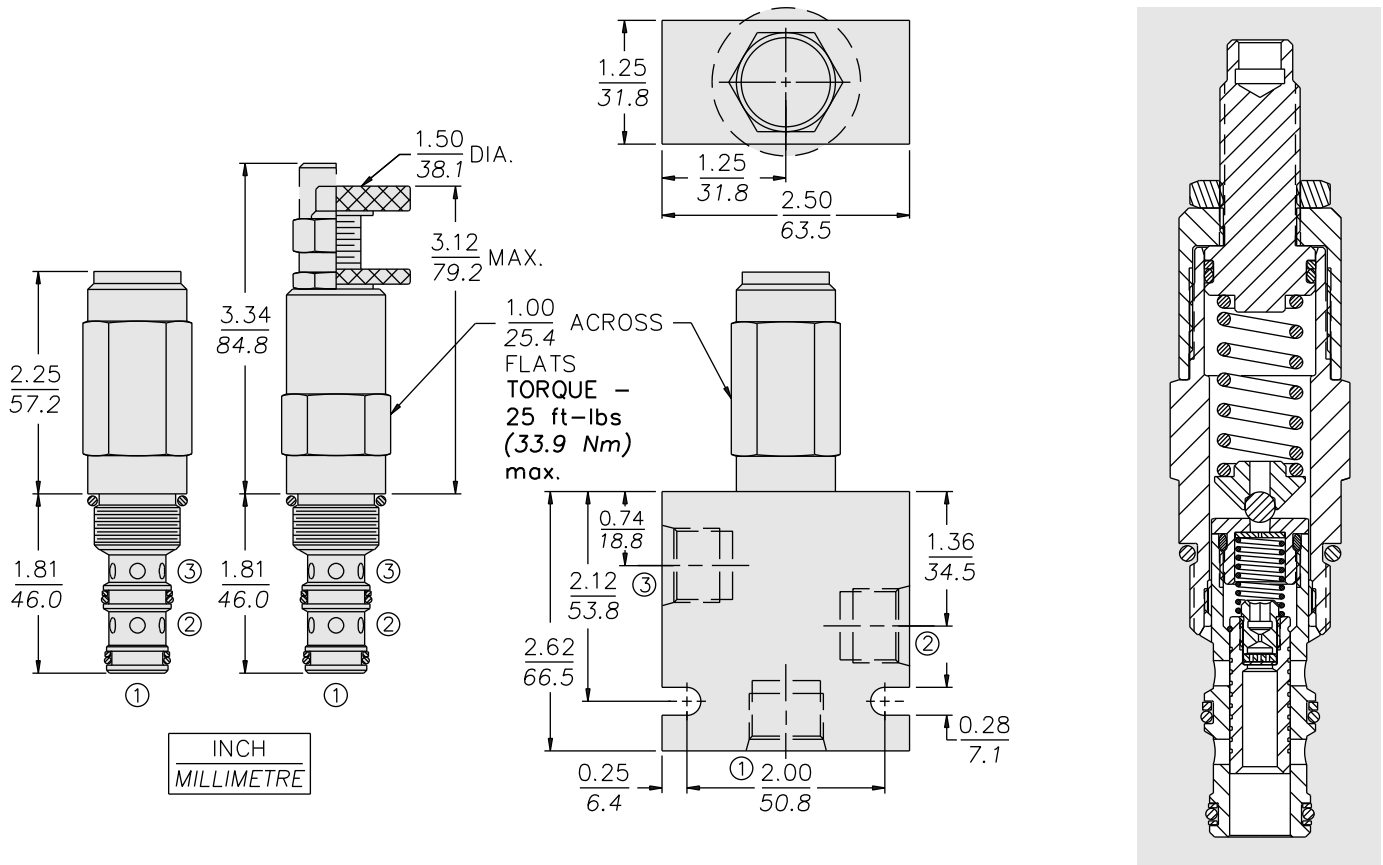
PERFORMANCE (Cartridge Only)



External Drain

PS50-36

DIMENSIONS



MATERIALS

Cartridge: Weight: 0.27 kg. (0.60 lbs.)
 Steel with hardened work surfaces.
 Zinc-plated exposed surfaces.
 Polyurethane O-rings and polyester elastomer back-ups standard. Anodized aluminum knobs and caps.

Ported Body: Weight: 0.64 kg. (1.41 lbs.) Ductile Iron (code "D") standard, consult factory for weight, dimensions may differ. Rated to 345 bar (5000 psi). See page 8.010.1.

TO ORDER

