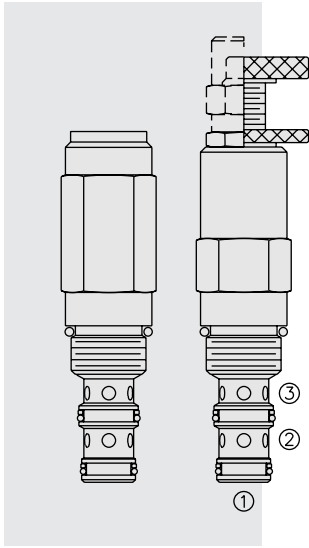


PRESSURE CONTROLS

PS10-33 Sequence, External Pilot, Internal Drain



DESCRIPTION

A screw-in, cartridge-style, direct-acting, spool-type, hydraulic sequence valve with external pilot and internal spring chamber drain.

OPERATION

In its steady state, the **PS10-33** blocks flow from ③ to ②.

On attainment of a pre-determined pressure at ①, the cartridge shifts to open ③ to ②. Since the spring chamber is vented at ②, back pressure at ② will directly (1:1) affect the valve's setting.

FEATURES

- Adjustments cannot be backed out of the valve.
- Adjustments prohibit springs from going solid.
- Spring range to 240 bar (3500 psi).
- Hardened spool and cage for long life.
- Industry common cavity.

RATINGS

Operating Pressure: 240 bar (3500 psi)

Flow: See Performance Chart

Internal Leakage: 82 cc/minute (5 cu. in./minute) max. to 90% of nominal setting

Standard Spring Range: 35 to 240 bar (500 to 3500 psi)

Temperature: -40 to 120°C with standard Buna seals

Filtration: See page 9.010.1

Fluids: Mineral-based or synthetics with lubricating properties at viscosities of 7.4 to 420 cSt (50 to 2000 sus); See Temperature and Oil Viscosity, page 9.060.1

Installation: No restrictions; See page 9.020.1

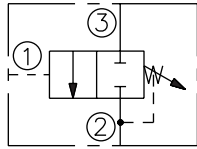
Cavity: VC10-3; See page 9.110.1

Cavity Tool: CT10-3XX; See page 8.600.1

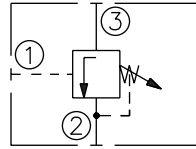
Seal Kit: SK10-3X-TB; See page 8.650.1

SYMBOLS

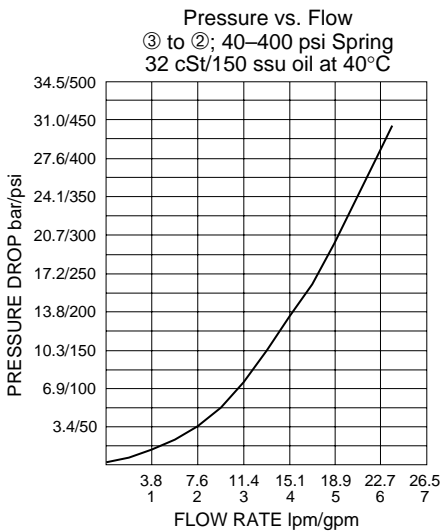
USASI:



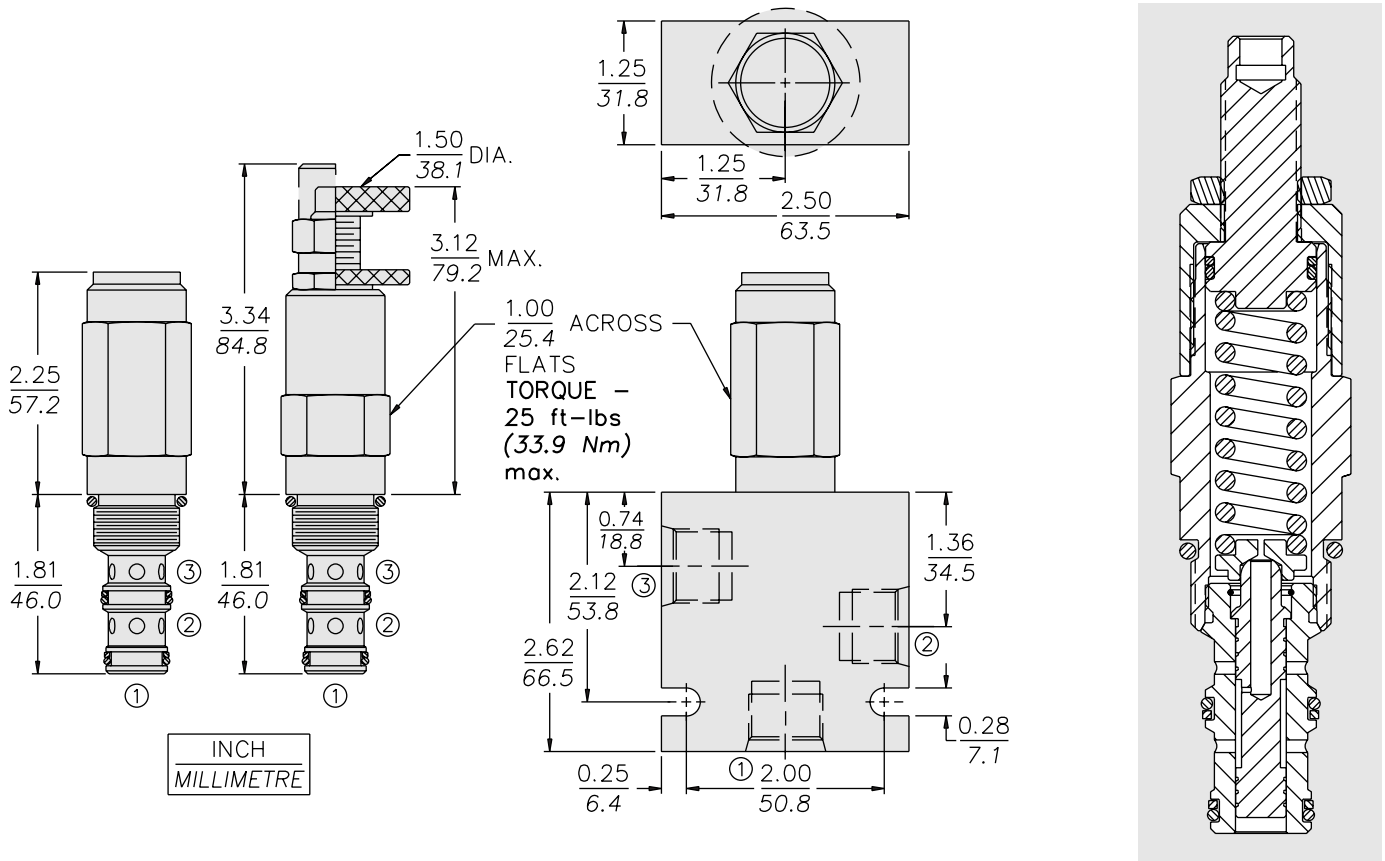
ISO:



PERFORMANCE (Cartridge Only)



DIMENSIONS



MATERIALS

Cartridge: Weight: 0.27 kg. (0.60 lbs.)
 Steel with hardened work surfaces.
 Zinc-plated exposed surfaces.
 Buna N O-rings and polyester elastomer back-ups standard.
 Anodized aluminum knobs.

Standard Ported Body: Weight: 0.36 kg. (0.80 lbs.) Anodized high-strength 6061 T6 aluminum alloy, rated to 207 bar (3000 psi). Ductile iron bodies available; dimensions may differ. See page 8.010.1

TO ORDER

