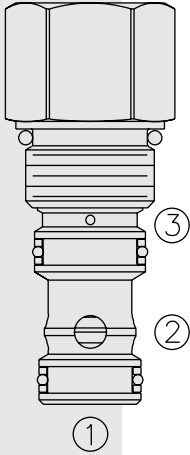


PRESSURE CONTROLS

ER10-S30 Pressure Reducing Spool Logic Element



DESCRIPTION

A screw-in, cartridge-style, spring biased, pressure reducing logic element.

OPERATION

In its steady state, the **ER10-S30** allows flow from ② to ① with the spring chamber constantly drained at ③. On attainment of a pre-determined pressure at ①, set by a (remote) pilot relief valve connected to port ③, the spool shifts to restrict input flow at ②, thereby regulating pressure at ①.

FEATURES

- Adjustments cannot be backed out of the valve.
- Adjustments prohibit springs from going solid.
- Optional spring ranges to 207 bar (3000 psi).
- Hardened spool and cage for long life.
- Industry common cavity.

RATINGS

Operating Pressure: 350 bar (5000 psi); Polyurethane seals are recommended for operation up to 5000 psi; Aluminum bodies are rated up to 3000 psi.

Proof Pressure: 390 bar (5700 psi)

Flow: See Performance Chart

Maximum Pilot Flow: 5.3 lpm (1.4 gpm)

Bias Spring: 6.9 bar (100 psi)

Temperature: -40 to 120°C with standard Buna seals

Filtration: See page 9.010.1

Fluids: Mineral-based or synthetics with lubricating properties at viscosities of 7.4 to 420 cSt (50 to 2000 sus); See Temperature and Oil Viscosity, page 9.060.1

Installation: No restrictions; See page 9.020.1

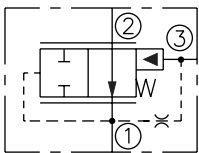
Cavity: VC10-S3; See page 9.110.1

Cavity Tool: CT10-S3XX; See page 8.600.1

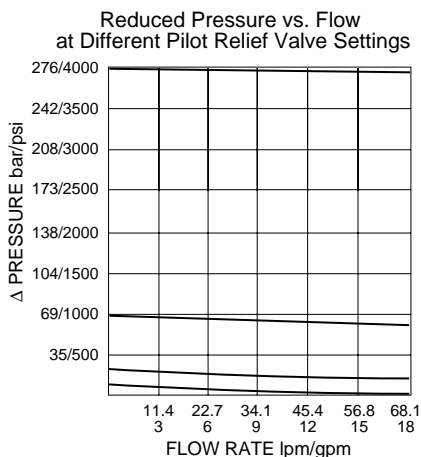
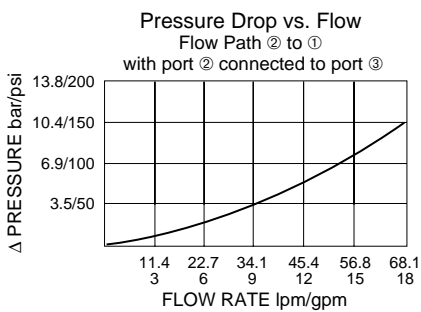
Seal Kit: SK10-3X-BM; See page 8.650.1

SYMBOLS

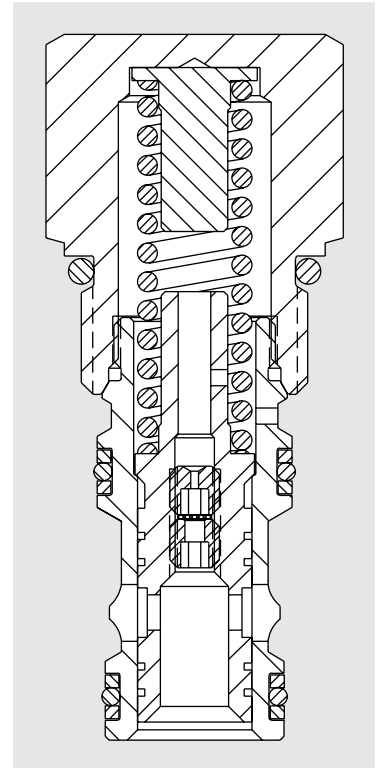
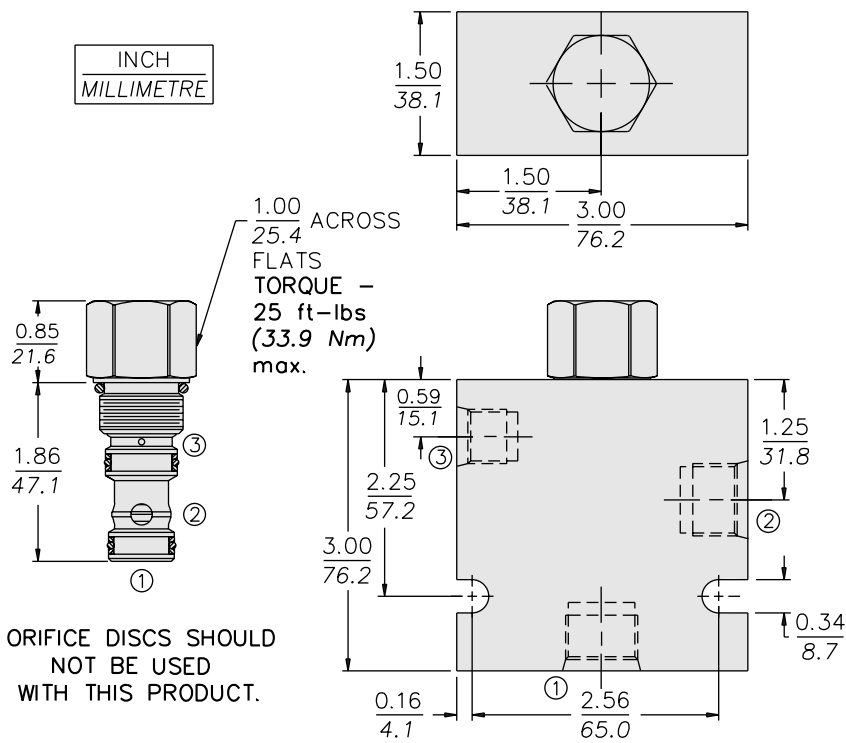
USASI/ISO:



PERFORMANCE (Cartridge Only)



DIMENSIONS



MATERIALS

Cartridge: Weight: 0.27 kg. (0.60 lbs.)
Steel with hardened work surfaces.
Zinc-plated exposed surfaces.
Buna N O-rings and polyester elastomer back-ups standard.

Standard Ported Body: Weight:
0.36 kg. (0.80 lbs.) Anodized high-strength 6061 T6 aluminum alloy, rated to 207 bar (3000 psi). Ductile iron bodies available; dimensions may differ. See page 8.010.1

TO ORDER

ER10-S30 - -

Porting
Cartridge Only **0**
SAE 8 **8T**
SAE 10 **10T**

Seals
Buna N (Std.) **N**
Polyurethane **P**
Fluorocarbon **V**

Note: Polyurethane seals are recommended for operation over 241 bar (3500 psi)