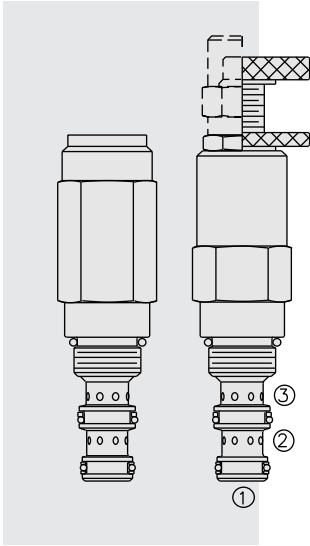


PR58-38 Pressure Reducing/Relieving Spool Valve



DESCRIPTION

A screw-in, cartridge-style, direct-acting, spool-type, hydraulic pressure reducing/relieving valve, with internal pilot and internal spring-chamber drain. It is designed to act as a pressure regulating valve for secondary circuits. Internal damping makes this valve particularly suitable for use in circuits with unstable input flows in demanding applications requiring enhanced stability.

OPERATION

In its steady state, the **PR58-38** allows flow to pass bidirectionally from port 2 to port 1, with the spring chamber constantly drained at port 3. Upon attainment of a predetermined pressure at 1, the spool shifts to block flow at 2, thereby regulating pressure at 1. In this mode, the valve will also relieve from port 1 to port 3, at a user-specified value over the set reducing pressure. Tank port pressure is additive to the pressure setting at a ratio of 1:1.

FEATURES

- Adjustments cannot be backed out of the valve.
- Adjustments prohibit springs from going solid.
- Optional spring ranges to 248 bar (4200 psi).
- Optional 233 micron screen.
- Hardened parts for long life.
- Industry common cavity.

RATINGS

Maximum Operating Pressure: 345 bar (5000 psi)

Proof Pressure: 379 bar (5500 psi)

Burst Pressure: 896 bar (13000 psi)

Regulated Pressure Range: 10.3–220.6 bar (150–4200 psi)

Note: 241 bar (3500 psi) maximum for 'F' and 'H' adjustment options.

Maximum Tank Port Pressure: 68.9 bar (1000 psi)

Maximum Rated Flow: 18.9 lpm (5 gpm); See performance chart

Maximum Internal Leakage to Port 3: 82 ml/minute (5.0 cu. in./minute)

Temperature: -40 to 100°C (-40 to 212°F) with Buna N seals;

-26 to 204°C (-15 to 400°F) with fluorocarbon seals;

-54 to 107°C (-65 to 224°F) with polyurethane seals.

Filtration: See page 9.010.1

Fluids: Mineral-based or synthetics with lubricating properties at viscosities of

7.4 to 420 cSt (50 to 2000 sus); See Temperature and Oil Viscosity, page 9.060.1

Installation: No restrictions; See page 9.020.1

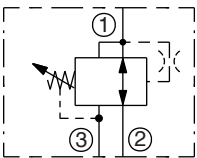
Cavity: VC08-3; See page 9.108.1

Cavity Tool: CT08-3XX; See page 8.600.1

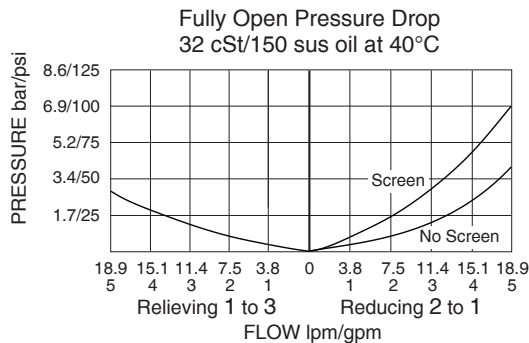
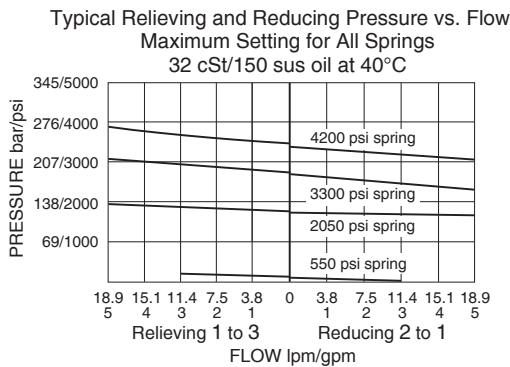
Seal Kit: SK08-3X-BM; See page 8.650.1

SYMBOLS

USAS/ISO:



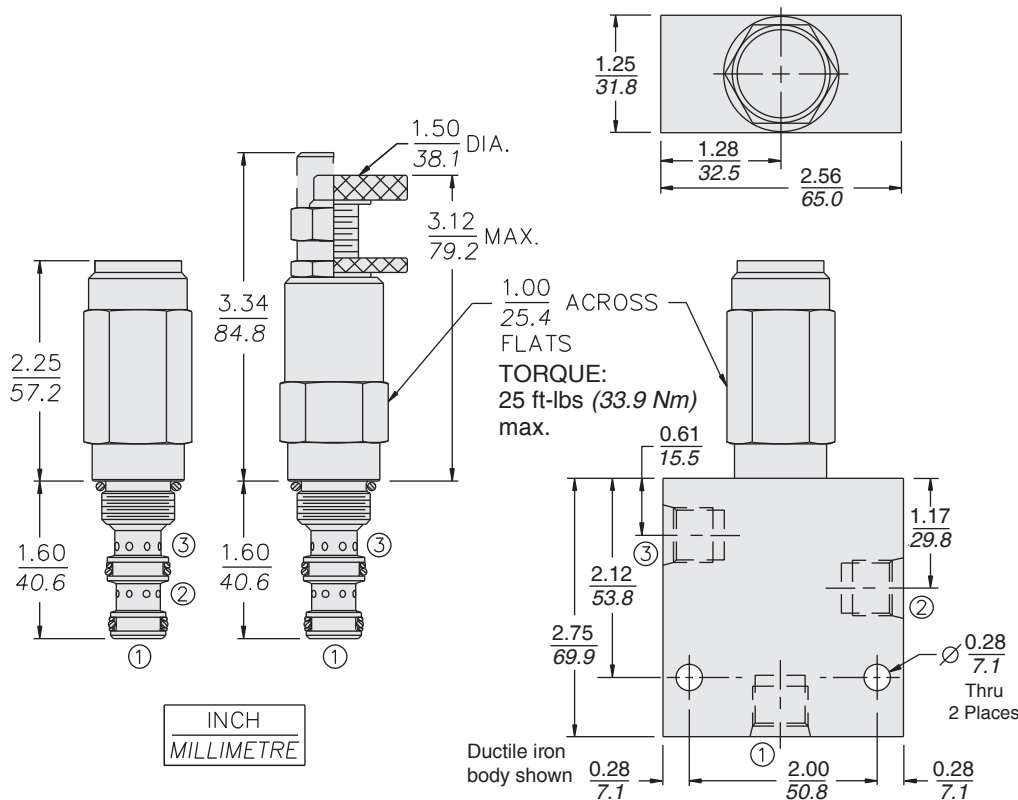
PERFORMANCE (Cartridge Only)



Damped, Direct-Acting

PR58-38

DIMENSIONS



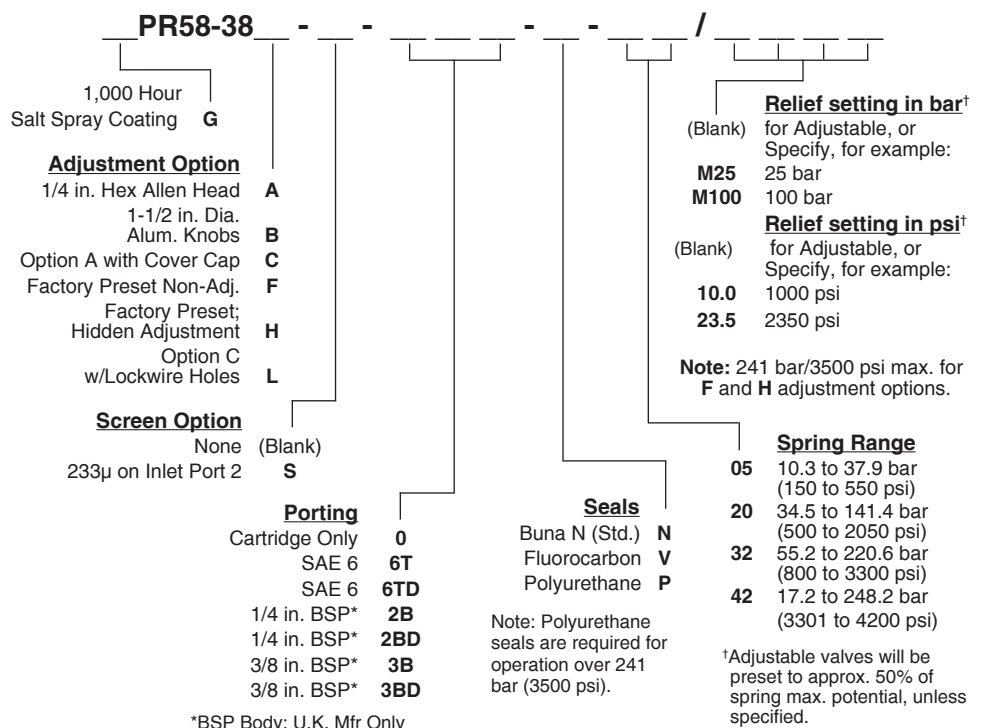
MATERIALS

Cartridge: Weight: 0.28 kg. (0.61 lbs.) maximum (some models may weigh less). Steel with hardened work surfaces. Zinc-plated exposed surfaces. Buna N O-rings and TFE back-ups standard. Anodized aluminum knob.

Standard Ported Body: Weight: 0.27 kg. (0.60 lbs.) Anodized high-strength 6061 T6 aluminum alloy, rated to 207 bar (3000 psi), dimensions may differ. Ductile iron (code D) bodies are required for operation over 207 bar (3000 psi). See page 8.008.1

Note: Orifice Disc should not be used with this valve.

TO ORDER



*BSP Body; U.K. Mfr Only