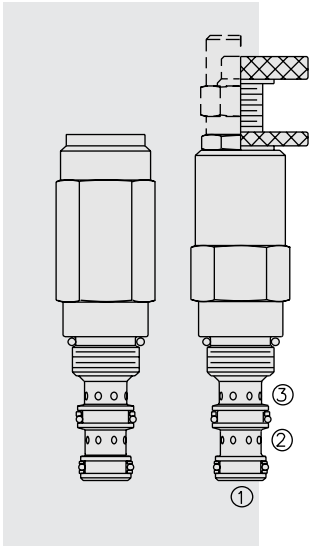


PR08-32 Pressure Reducing/Relieving



DESCRIPTION

A screw-in, cartridge-style, direct-acting, spool-type, hydraulic pressure reducing/relieving valve with internal pilot and internal spring chamber drain, designed to act as a pressure-regulating device for secondary circuits. It is intended for use in stable input flow circuits.

OPERATION

In its steady state, the **PR08-32** allows flow to pass bidirectionally from ② to ①, with the spring chamber constantly drained at ③.

On attainment of a pre-determined pressure at ①, the cartridge shifts to block flow at ②, thereby regulating pressure at ①. In this mode, the valve also will relieve ① to ③ at a variable value over the set reducing pressure.

Note: Direct-acting PR series valves may not be suitable for some static load applications. Consult factory.

FEATURES

- Adjustments cannot be backed out of the valve.
- Adjustments prohibit springs from going solid.
- Optional spring ranges to 152 bar (2200 psi).
- Hardened spool and cage for long life.
- Industry common cavity.
- Compact size.

RATINGS

Operating Pressure: 240 bar (3500 psi)

Proof Pressure: 390 bar (5700 psi)

Flow: 11.4 lpm (3 gpm) max.

Internal Leakage ② to ③: 82 cc/minute (5 cu. in/minute) max. at 207 bar (3000 psi) to 90% of nominal setting

Standard Spring Ranges (Reducing Function):

- 3.4 to 20.7 bar (50 to 300 psi);
- 10.4 to 41.4 bar (150 to 600 psi);
- 20.7 to 82.8 bar (300 to 1200 psi);
- 34.5 to 151.7 bar (500 to 2200 psi)

Temperature: -40 to 120°C with standard Buna seals

Filtration: See page 9.010.1

Fluids: Mineral-based or synthetics with lubricating properties at viscosities of 7.4 to 420 cSt (50 to 2000 sus); See Temperature and Oil Viscosity, page 9.060.1

Installation: No restrictions; See page 9.020.1

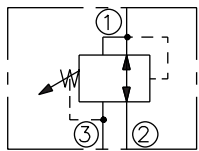
Cavity: VC08-3; See page 9.108.1

Cavity Tool: CT08-3XX; See page 8.600.1

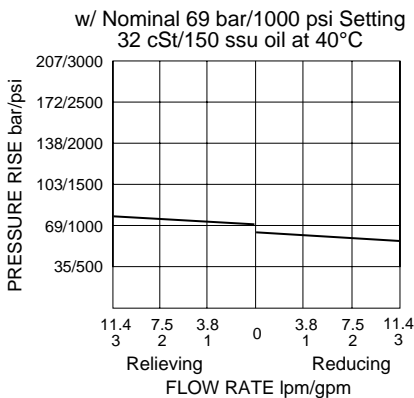
Seal Kit: SK08-3X-BM; See page 8.650.1

SYMBOLS

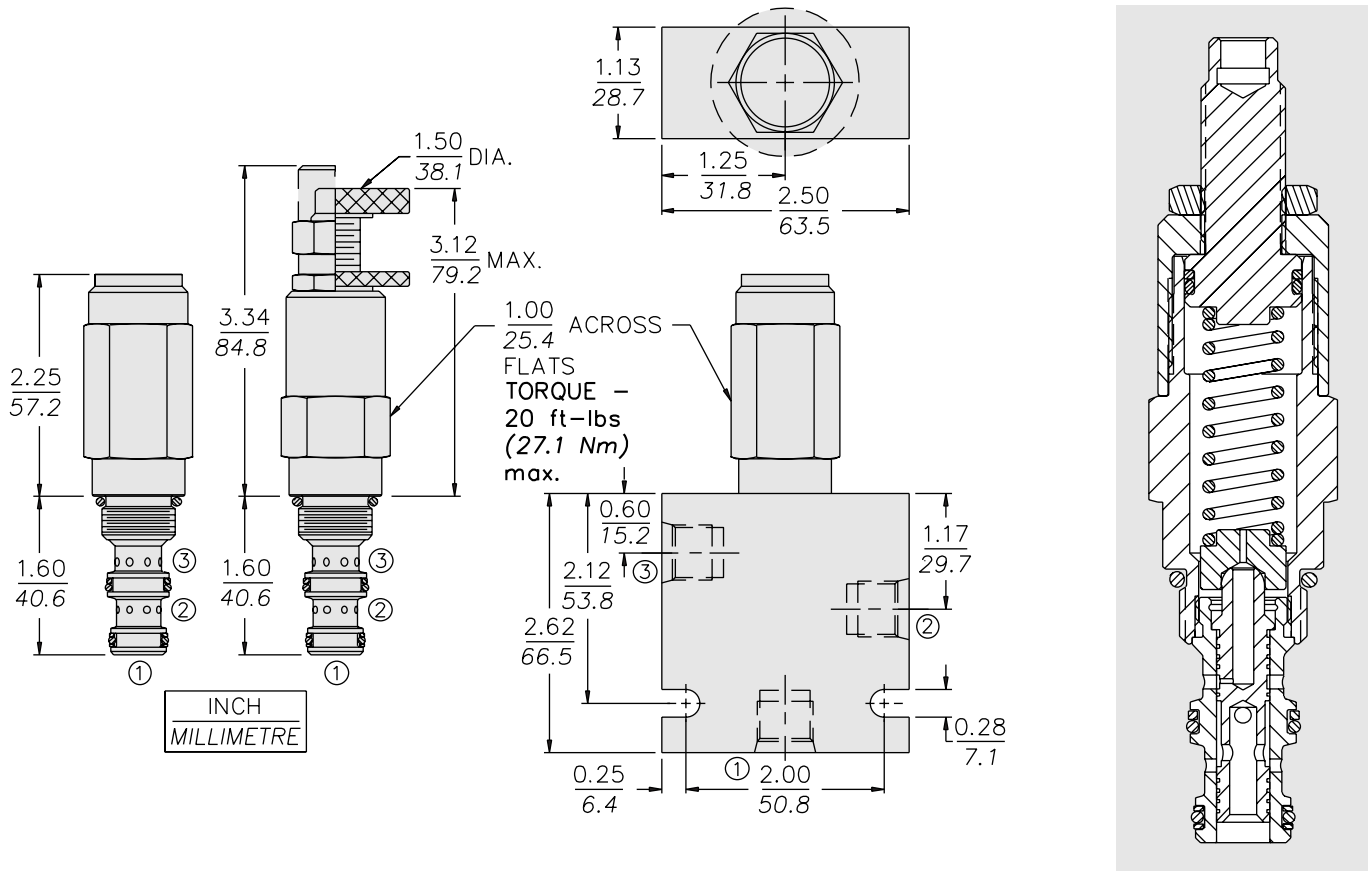
USASI/ISO:



PERFORMANCE (Cartridge Only)



DIMENSIONS

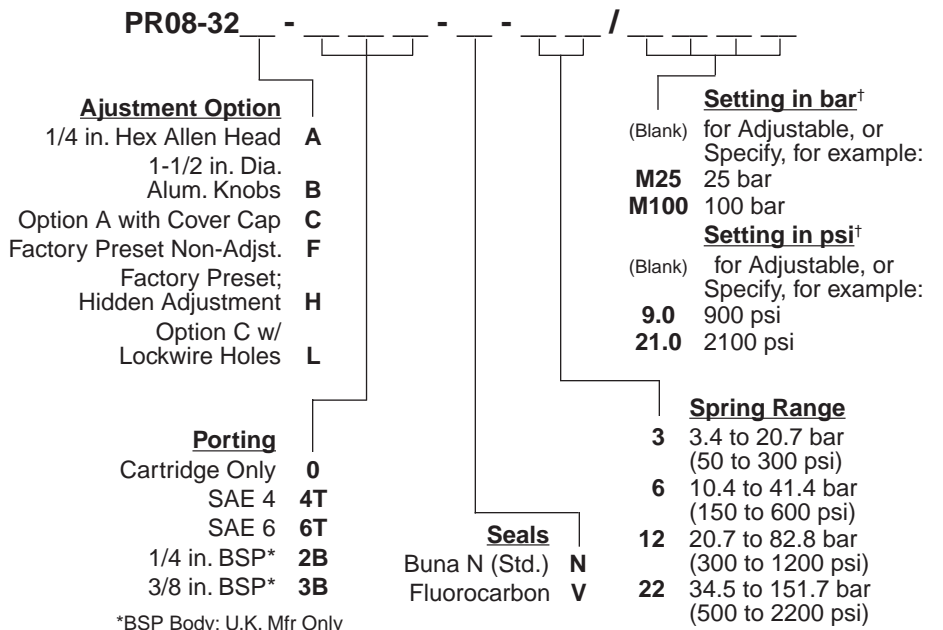


MATERIALS

Cartridge: Weight: 0.25 kg. (0.55 lbs.)
 Steel with hardened work surfaces.
 Zinc-plated exposed surfaces.
 Buna N O-rings and back-ups standard. Anodized aluminum knob.

Standard Ported Body: Weight: 0.27 kg. (0.60 lbs.) Anodized high-strength 6061 T6 aluminum alloy, rated to 207 bar (3000 psi). Ductile iron bodies available; dimensions may differ. See page 8.008.1

TO ORDER



[†]Adjustable valves will be preset to approx. 50% of spring max. potential.