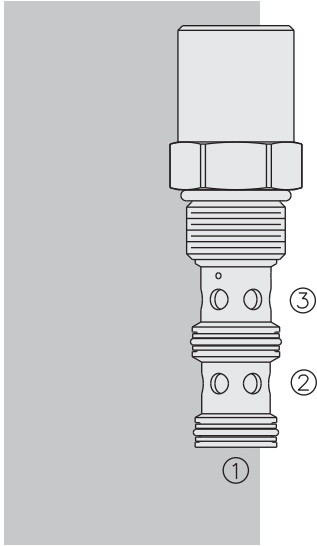


## HEC12-32 Pressure Compensator, Flow On Demand



### DESCRIPTION

A screw-in, cartridge-style, load-sense, flow-on-demand, pressure compensator valve.

### OPERATION

With inlet flow at port 2, the **HEC12-32** will deliver required flow at port 3, regardless of load pressure sensed at port 1. **NOTE:** For greater stability, it is recommended to install the 10.53 mm (0.21 inch) orifice in the load sense line at port 1.

### FEATURES

- Hardened parts for long life.
- Quiet, modulated response.

### RATINGS

**Operating Pressure:** 350 bar (5075 psi) 10% cycle life: 420 bar (6090 psi)

**Proof Pressure:** 690 bar (10000 psi)

**Burst Pressure:** 1380 bar (20000 psi)

**Maximum Inlet Flow Rate:**

83 lpm (22 gpm) with 11 bar (160 psi) compensating spring;

57 lpm (15 gpm) with 5.5 bar (80 psi) compensating spring

**Maximum Internal Leakage:** 52 ml/min (3.2 cu.in./min) at port 1 with 350 bar (5075 psi) pressure at port 2 and port 3 blocked.

**Flow Maintenance:** See performance chart

**Temperature:** -54° to 107°C (-65° to 225°F) with PPDI Urethane seals

**Filtration:** See page 9.010.1

**Fluids:** Mineral-based or synthetics with lubricating properties at viscosities of 7.4 to 420 cSt (50 to 2000 sus); See Temperature and Oil Viscosity, page 9.060.1

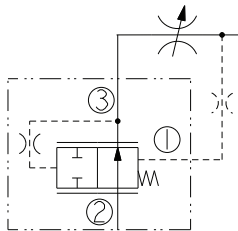
**Installation:** No restrictions; See page 9.020.1

**Cavity:** HVC12-3

**Cavity Tool:** HCT-3X0-X-X; See page 8.600.1

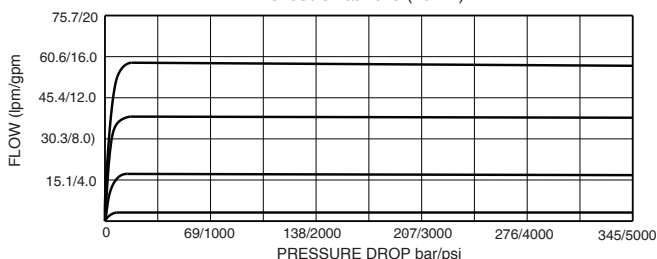
**Seal Kit:** HSK12-3U-0; See page 8.650.1

### ISO SYMBOL

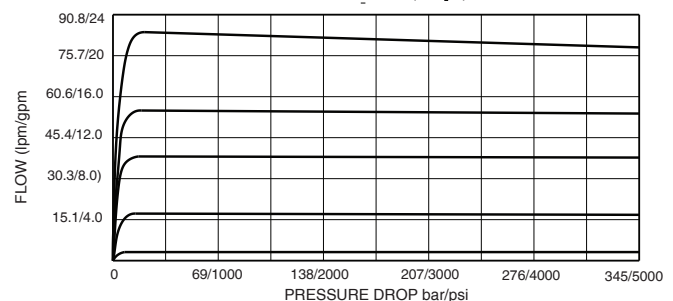


### PERFORMANCE (Cartridge Only)

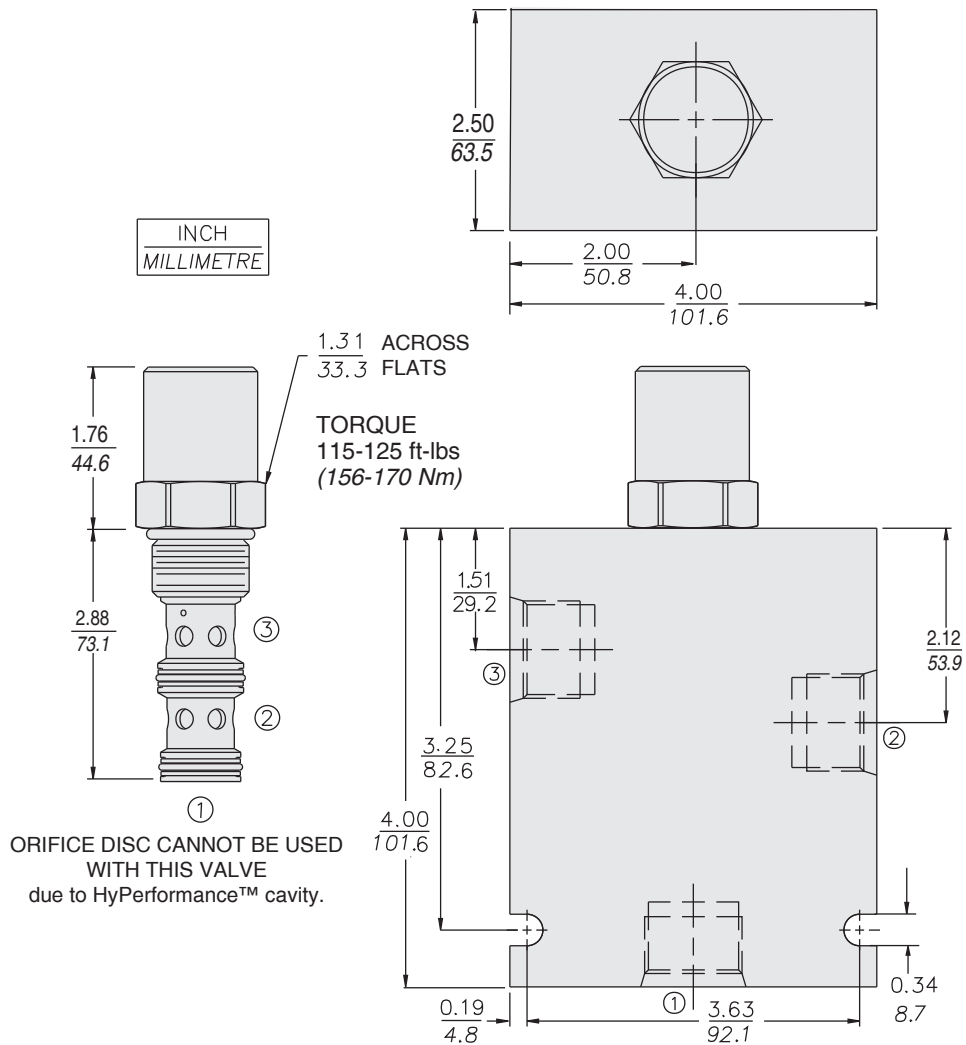
Flow Characteristics (Meter Out Mode)  
HEC12-32 with 5.5 Bar (80 psi) Spring  
32cSt Oil at 40°C (104°F)



Flow Characteristics (Meter Out Mode)  
HEC12-32 with 11 Bar (160 psi) Spring  
32cSt Oil at 40°C (104°F)



## DIMENSIONS



## MATERIALS

**Cartridge:** Weight: 5.2 kg. (11.5 lbs.)  
Steel with hardened work surfaces.  
Zinc-plated exposed surfaces.  
PPDI urethane without back-up rings

**Ported Body:** Weight: 4.05 kg (8.93 lb)  
HyPerformance Ductile iron (code 'D'  
standard. Rated to 345 bar (5000 psi)

## TO ORDER

**HEC12-32 - - -**

**Porting**

Cartridge Only **0**

SAE 12 **12TD**

\*3/4 in. BSP **6BD**

\*BSP body; U.K. Mrg. Only

**Compensator Spring**

**80** 5.5 bar (80 psi)

**160** 11 bar (160 psi)

**Seals**

**U** PPDI Urethane