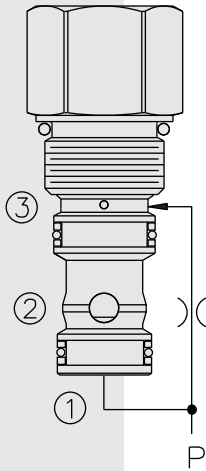


EC10-S31 Pressure Compensator



DESCRIPTION

A screw-in, cartridge-style pressure-compensator, intended for use upstream of a remote fixed or variable orifice to provide a constant flow rate regardless of load pressure changes.

OPERATION

The **EC10-S31** delivers constant flow to port ① regardless of load pressure changes.

FEATURES

- Hardened seat for long life and low leakage.
- Quiet, modulated response.
- Industry common cavity.

RATINGS

Operating Pressure: Inlet: 240 bar (3500 psi)

Maximum Compensated Flow: 30.3 lpm (8 gpm) with 7.6 bar (110 psi) spring;
22.7 lpm (6 gpm) with 5.5 bar (80 psi) spring

Standard Compensator Bias Spring: 5.5 bar (80 psid)

Flow Maintenance: see performance chart

Temperature: -40 to 120°C

Filtration: See page 9.010.1

Fluids: Mineral-based or synthetics with lubricating properties at viscosities of 7.4 to 420 cSt (50 to 2000 sus); See Temperature and Oil Viscosity, page 9.060.1

Installation: No restrictions; See page 9.020.1

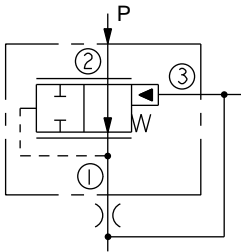
Cavity: VC10-S3; See page 9.110.1

Cavity Tool: CT10-S3-XX; See page 8.600.1

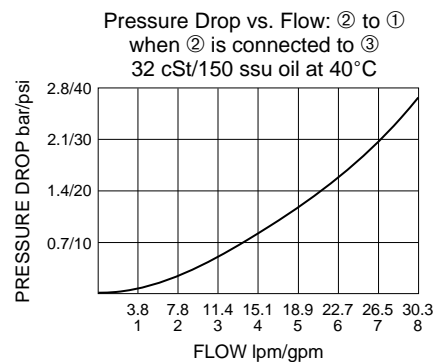
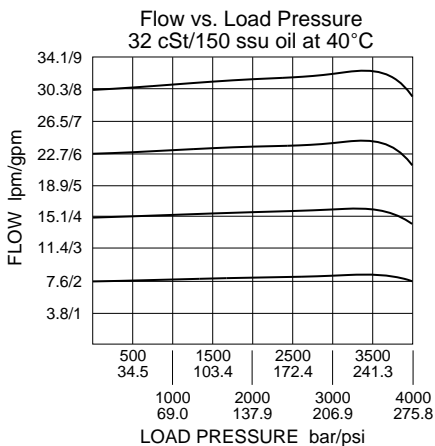
Seal Kit: SK10-S3X-MM; See page 8.650.1

SYMBOLS

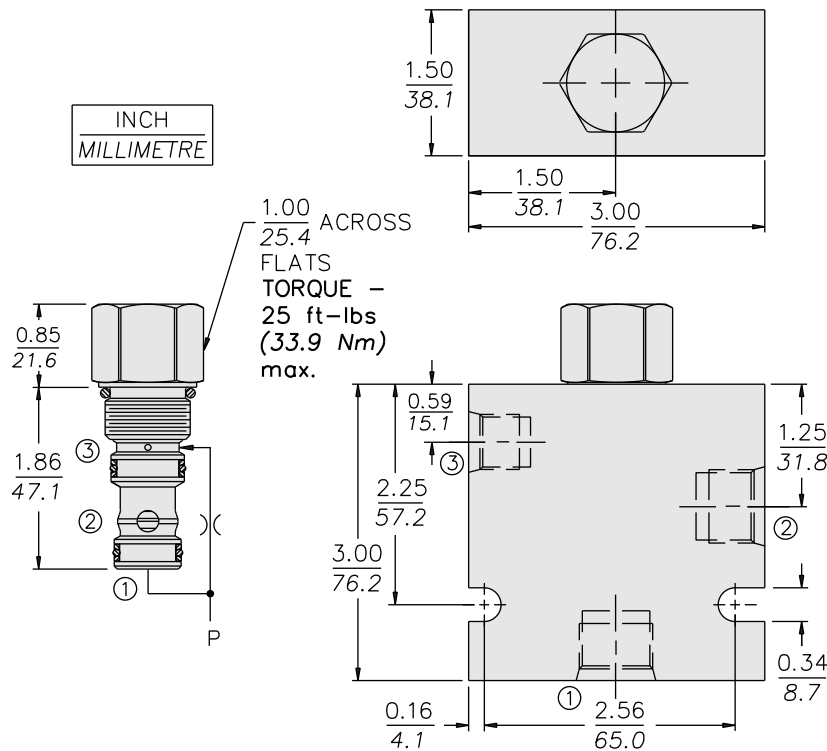
USASI/ISO:



PERFORMANCE (Cartridge Only)



DIMENSIONS



MATERIALS

Cartridge: Weight: 0.11 kg. (0.25 lbs.)
Steel with hardened work surfaces.
Zinc-plated exposed surfaces.
Buna N O-rings and polyester elastomer back-ups standard.

Standard Ported Body: Weight:
0.34 kg. (0.75 lbs.) Anodized high-strength 6061 T6 aluminum alloy, rated to 207 bar (3000 psi). Ductile iron bodies available; dimensions may differ. See page 8.010.1

TO ORDER

