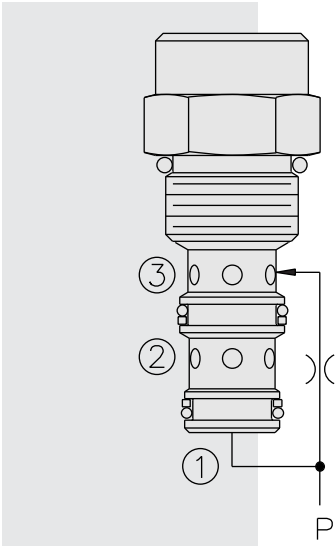


EC10-30 Pressure Compensator



DESCRIPTION

A screw-in, cartridge-style pressure-compensating element, intended for use with a remote fixed or variable orifice to yield a two-port-type, pressure-compensated, flow regulating hydraulic valve.

OPERATION

The **EC10-30** maintains a constant flow rate from ② regardless of load pressure changes in the circuit downstream of ②.

The cartridge maintains a constant differential pressure from circuit point P to port ③ (see USASI Symbol), thereby regulating the hydraulic flow rate between the two points in the circuit.

FEATURES

- Hardened parts for long life.
- Quiet, modulated response.
- Industry common cavity.

RATINGS

Operating Pressure: 207 bar (3000 psi)

Regulated Flow Rate: 30.3 lpm (8 gpm) max.

Standard Compensator Bias Spring: 5.5 bar (80 psid)

Flow Maintenance: $\pm 10\%$ from 0.38 to 38 lpm (0.1 to 10 gpm) at pressures from 5.5 to 207 bar (80 to 3000 psi)

Temperature: -40 to 120°C

Filtration: See page 9.010.1

Fluids: Mineral-based or synthetics with lubricating properties at viscosities of 7.4 to 420 cSt (50 to 2000 sus); See Temperature and Oil Viscosity, page 9.060.1

Installation: No restrictions; See page 9.020.1

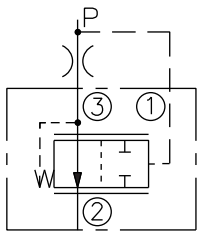
Cavity: VC10-3; See page 9.110.1

Cavity Tool: CT10-3XX; See page 8.600.1

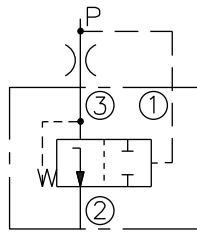
Seal Kit: SK10-3X-TB; See page 8.650.1

SYMBOLS

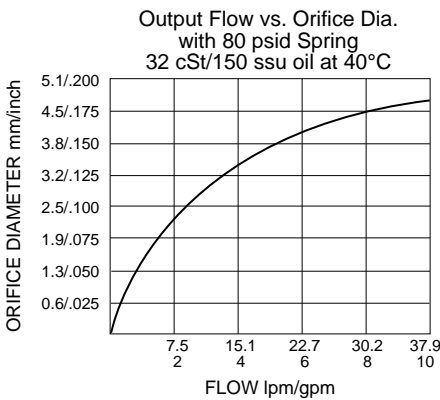
USASI:



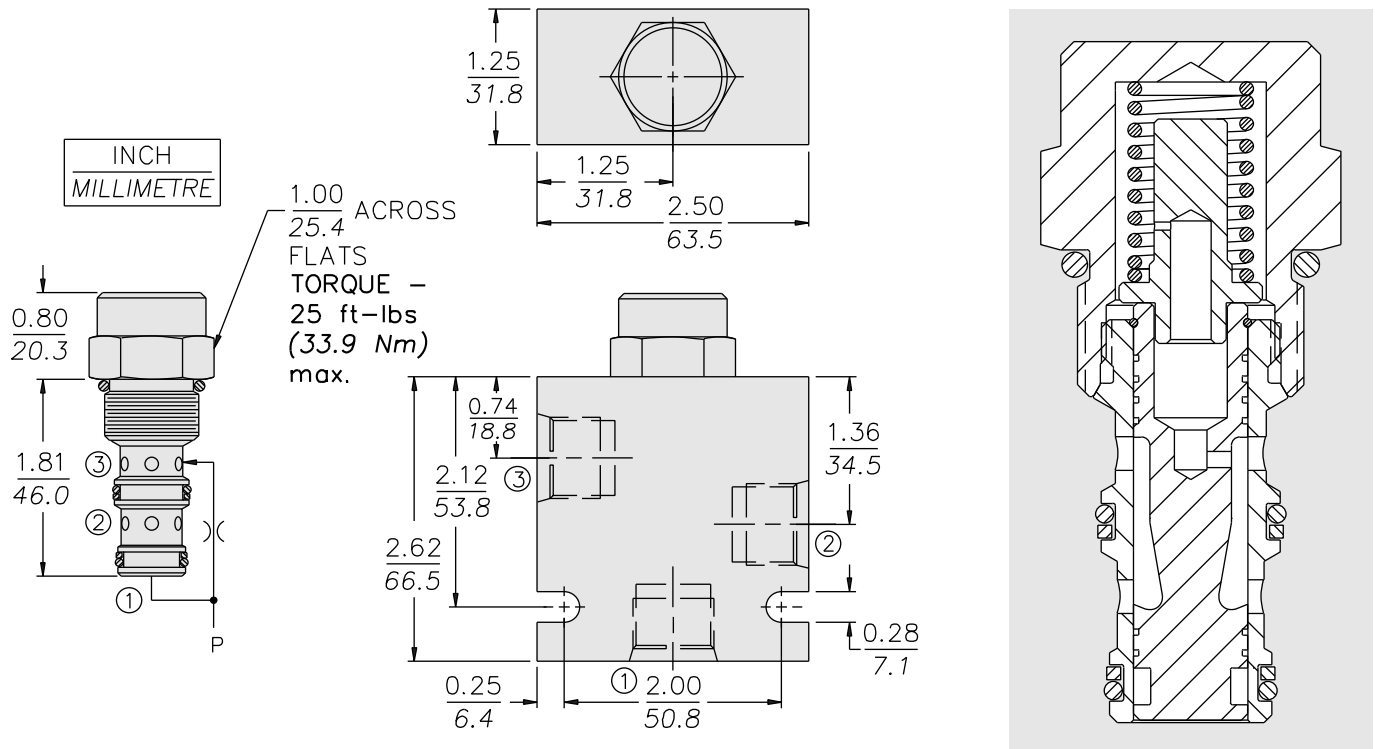
ISO:



PERFORMANCE (Cartridge Only)



DIMENSIONS



MATERIALS

Cartridge: Weight: 0.11 kg. (0.25 lbs.)
Steel with hardened work surfaces.
Zinc-plated exposed surfaces.
Buna N O-rings and polyester
elastomer back-ups standard.

Standard Ported Body: Weight:
0.36 kg. (0.80 lbs.) Anodized high-
strength 6061 T6 aluminum alloy,
rated to 207 bar (3000 psi). Ductile
iron bodies available; dimensions
may differ. See page 8.010.1.

TO ORDER

EC10-30 -

Porting
Cartridge Only **0**
SAE 6 **6T**
SAE 8 **8T**
1/4 in. BSP* **2B**
3/8 in. BSP* **3B**

*BSP Body; U.K. Mfr. Only

Compensator Spring

40 2.8 bar (40 psid)
80 5.5 bar (80 psid) standard
160 11.0 bar (160 psid)

Seals

N Buna N (Std.)
V Fluorocarbon