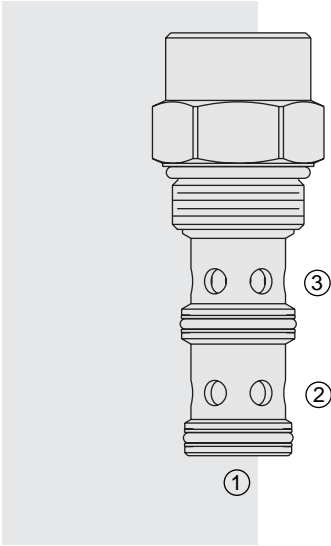


FR16-30F Regulator, Pressure-Compensated



DESCRIPTION

A screw-in, cartridge-style, pressure-compensated, non-adjustable flow regulator, intended for use in fixed displacement hydraulic circuits requiring partial pump flow diversion on a priority basis.

OPERATION

The **FR16-30F** maintains a constant flow rate from ③ regardless of load pressure changes in the system downstream of ③, or in the bypass leg at ②.

The valve's spool maintains a constant differential pressure of 5.5 bar (80 psi) across a fixed internal orifice, thereby regulating the hydraulic flow rate from ① to ③.

The FR16-30F is a priority type regulator, delivering the pump flow to ③ first, then bypassing excess to ②. All ports may be fully pressurized.

Flow out of priority port ③ may vary based on input flow amount, particularly with lower temperatures and increased fluid viscosities. Settings may need to be established through correlation study. Consult factory.

FEATURES

- Hardened parts for long life.
- Quiet, modulated response.

RATINGS

Operating Pressure: 241 bar (3500 psi)

Flow Rate: 113 lpm (30.0 gpm) max. priority; 190 lpm (50.0 gpm) max. input

Standard Compensator Bias Spring: 5.5 bar (80 psid) differential

Flow Maintenance Setting Range: up to 76 lpm (20 gpm) to accuracy of $\pm 10\%$; 76 to 114 lpm (20 to 30 gpm) to accuracy of $\pm 15\%$

Temperature: -40 to 120°C

Filtration: See page 9.010.1

Fluids: Mineral-based or synthetics with lubricating properties at viscosities of 7.4 to 420 cSt (50 to 2000 sus); See Temperature and Oil Viscosity, page 9.060.1

Installation: No restrictions; See page 9.020.1

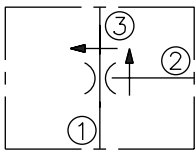
Cavity: VC16-3; See page 9.116.1

Cavity Tool: CT16-3XX; See page 8.600.1

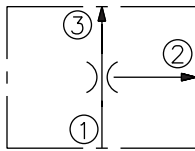
Seal Kit: SK16-3X-MM; See page 8.650.1

SYMBOLS

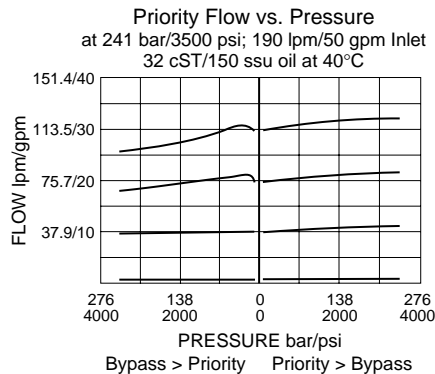
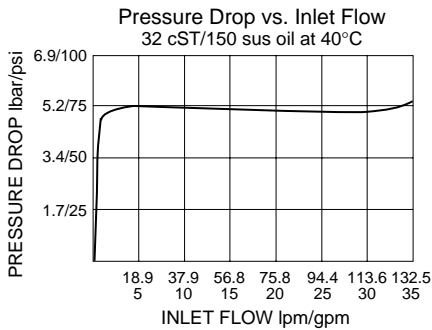
USASI:



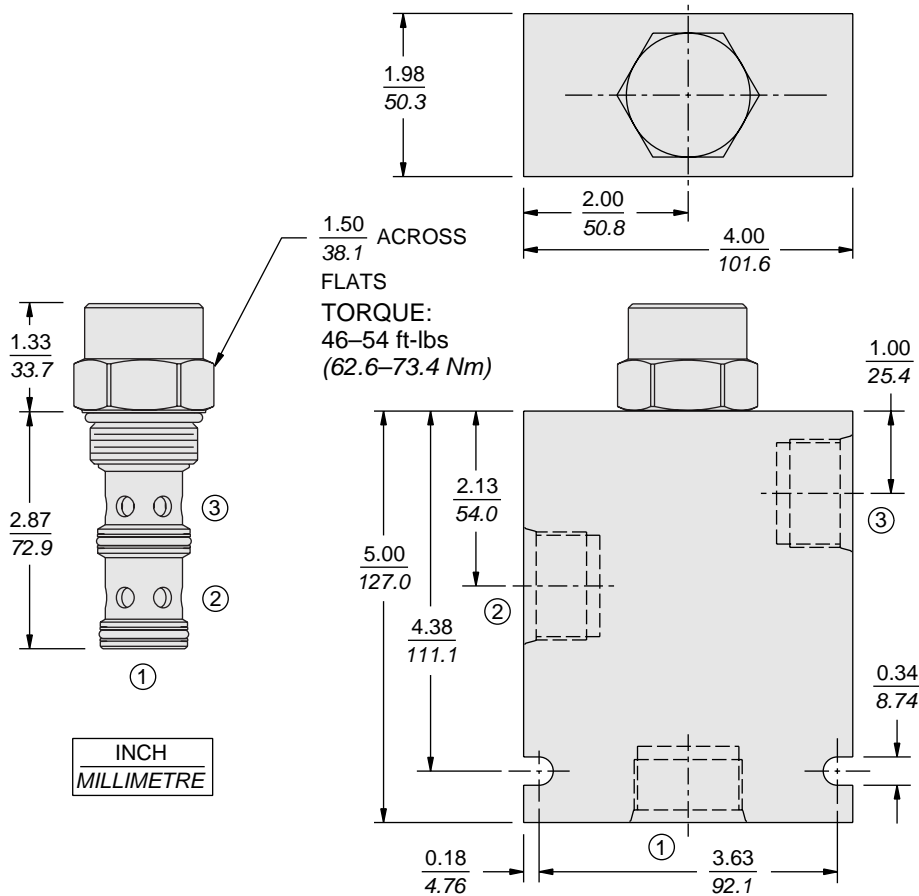
ISO:



PERFORMANCE (Cartridge Only)



DIMENSIONS

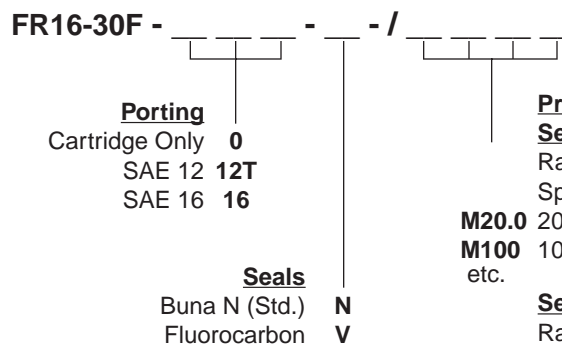


MATERIALS

Cartridge: Weight: 0.49 kg. (1.07 lbs.)
Steel with hardened work surfaces.
Zinc-plated exposed surfaces.
Buna N O-rings and polyester elastomer back-ups standard.

Standard Ported Body: Weight:
1.5 kg. (3.35 lbs.) Anodized high-strength 6061 T6 aluminum alloy, rated to 207 bar (3-00 psi). Ductile iron bodies available; dimensions may differ. See page 8.012.1.

TO ORDER



Note: Compensator spring values may be varied for OEM application to provide changed differential pressure/output flow relationships. Consult factory.

Note: Minimum drill diameter is 0.020 in. For smaller orifice sizes consult factory.

Drill Size Method

In thousandths of an inch.
Range: 0.63 to 0.302
Specify, for example:

D150 0.150 in. control orifice hole
etc.