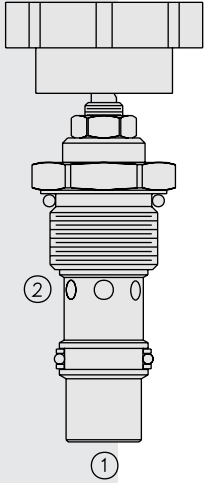


FR12-23 Regulator, Pressure-Compensated



DESCRIPTION

A screw-in, cartridge-style, adjustable orifice, pressure-compensated, manually-operated hydraulic flow regulating valve (restrictive type).

OPERATION

The **FR12-23** maintains a constant flow rate out of ② regardless of load pressure changes in the circuit downstream of ② or upstream of ①.

The regulated flow increases from closed to fully open with counter-clockwise rotation of the adjustment screw. The valve will maintain the set flow regardless of pressure variations on the regulated or inlet port. Reverse flow (② to ①) bypasses the control orifice.

FEATURES

- Hardened parts for long life.
- Quiet, modulated response.
- Cost-effective cavity.

RATINGS

Operating Pressure: 240 bar (3500 psi)

Flow Settings: 0–77 lpm (0–20 gpm)

Internal Leakage (① to ②): 0.12 lpm (0.03 gpm) max., fully closed

Adjustment Torque Required: 1.7 Nm (15 in.-lbs.) at 207 bar (3000 psi)

Temperature: -40 to 120°C

Filtration: See page 9.010.1

Fluids: Mineral-based or synthetics with lubricating properties at viscosities of 7.4 to 420 cSt (50 to 2000 sus); See Temperature and Oil Viscosity, page 9.060.1

Installation: No restrictions; See page 9.020.1

Cavity: VC12-2, Variation "B"; See page 9.112.1

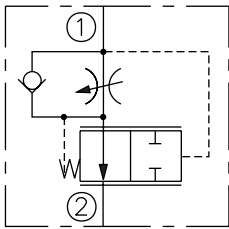
Cavity Tool: CT12-2XX; See page 8.600.1

Seal Kit: SK12-2X-M; See page 8.650.1

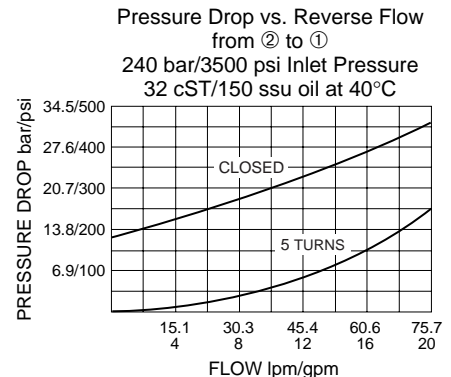
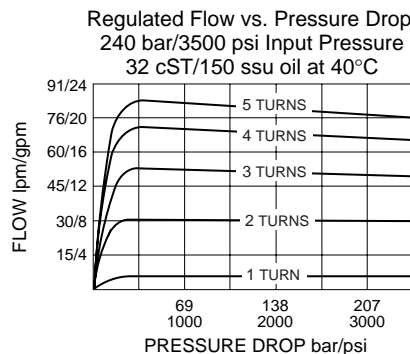
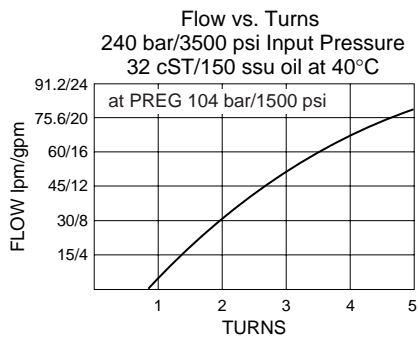
Knob Kit: Part Number 6113160; Converts from shaft-only version to "E" version

SYMBOLS

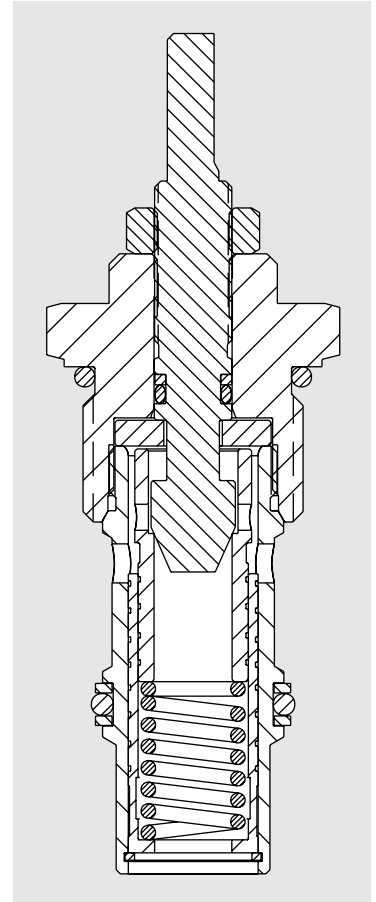
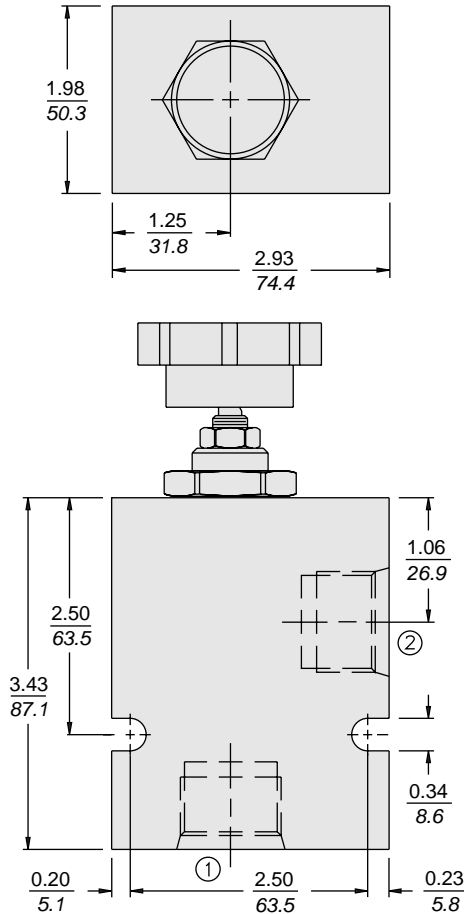
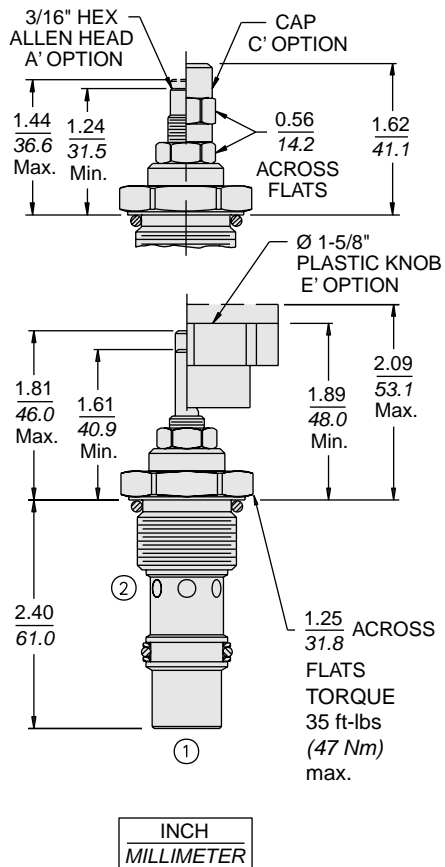
USASI/ISO:



PERFORMANCE



DIMENSIONS



MATERIALS

Cartridge: Weight: 0.08 kg. (0.18 lbs.)
Steel with hardened work surfaces.
Zinc-plated exposed surfaces.
Buna N O-rings and polyester elastomer back-ups standard.

Special Ported Body: Weight:
0.52 kg. (1.15 lbs.) Anodized high-strength 6061 T6 aluminum alloy, rated to 207 bar (3000 psi). Ductile iron bodies available; dimensions may differ. See page 8.012.1

TO ORDER

FR12-23 - - - /

<p>Adjustment Option</p> <p>Extended Shaft Only Blank</p> <p>3/16" Hex Allen Head A</p> <p>Option 'A' w/Cover Cap C</p> <p>Plastic Knob E</p>	<p>Porting</p> <p>Cartridge Only 0</p> <p>SAE 10 10T</p> <p>SAE 12 12T</p> <p>SAE 16 16T</p> <p>Special ported body required. Consult factory.</p>	<p>Flow Setting</p> <p>(Blank) Factory Set at 4-6 gpm</p> <p>Setting in gpm</p> <p>Specify; For example:</p> <p>5.0 5.0 gpm</p> <p>10.0 10 gpm etc.</p> <p>Setting in lpm</p> <p>Specify; For example:</p> <p>M4.0 4.0 lpm</p> <p>M20.0 20.0 lpm etc.</p>	<p>Seals</p> <p>N Buna N (Std.)</p> <p>V Fluorocarbon</p>
---	---	--	--