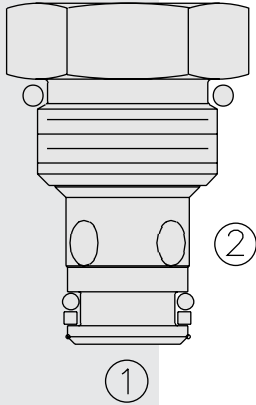


# FLOW CONTROLS

## FC08-20F Flow Control, Orifice Check



### DESCRIPTION

A screw-in, cartridge-style, restrictor check valve.

### OPERATION

The **FC08-20F** acts as a restrictor in the ② to ① direction. As a check valve it provides free flow from ① to ②.

### FEATURES

- Hardened spool and cage for long life.
- Industry-common cavity.

### RATINGS

**Operating Pressure:** 240 bar (3500 psi)

**Flow:** See Performance Chart

**Temperature:** -40 to 120°C with Buna N seals

**Filtration:** See page 9.010.1

**Fluids:** Mineral-based or synthetics with lubricating properties at viscosities of 7.4 to 420 cSt (50 to 2000 sus); See Temperature and Oil Viscosity, page 9.060.1

**Installation:** No restrictions; See page 9.020.1

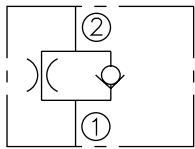
**Cavity:** VC08-2; See page 9.108.1

**Cavity Tool:** CT08-2XX; See page 8.600.1

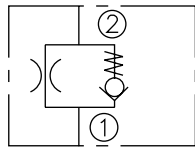
**Seal Kit:** SK08-2X-T; See page 8.650.1

### SYMBOLS

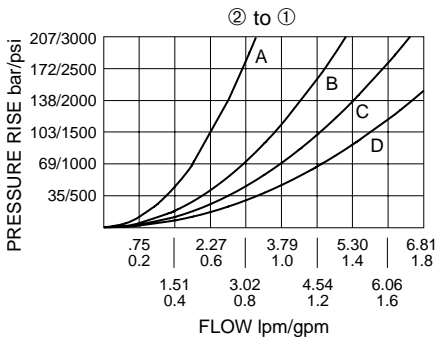
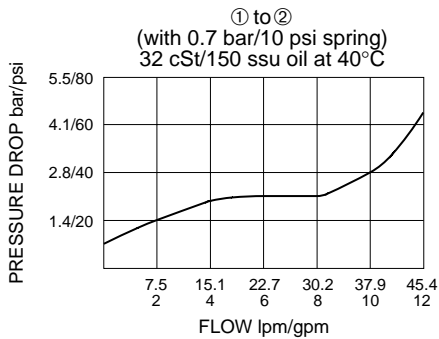
#### USASI:



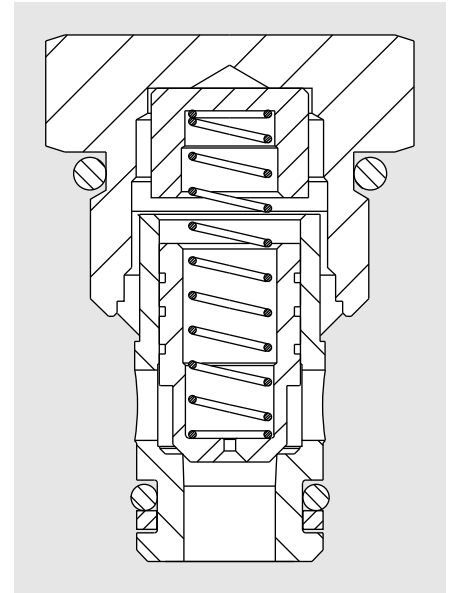
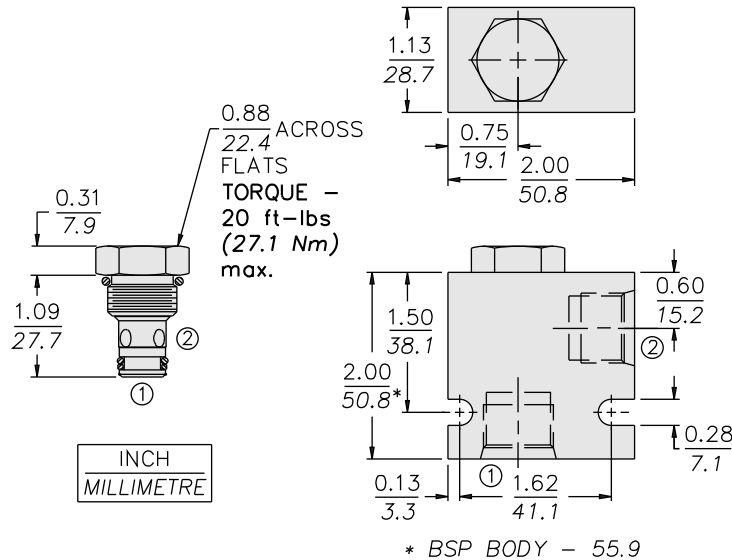
#### ISO:



### PERFORMANCE (Cartridge Only)



**DIMENSIONS**



**MATERIALS**

**Cartridge:** Weight: 0.10 kg. (0.23 lbs.)  
 Steel with hardened work surfaces.  
 Zinc-plated exposed surfaces.  
 Buna N O-rings and polyester elastomer back-up standard.

**Standard Ported Body:** Weight:  
 0.16 kg. (0.35 lbs.) Anodized high-strength 6061 T6 aluminum alloy, rated to 207 bar (3000 psi). Ductile iron bodies available; dimensions may differ. See page 8.008.1

**TO ORDER**

**FC08-20F -**

**Porting**  
 Cartridge Only **0**  
 SAE 4 **4T**  
 SAE 6 **6T**  
 1/4 in. BSP\* **2B**  
 3/8 in. BSP\* **3B**  
 1/2 in. BSP\* **4B**  
 \*BSP Body; U.K. Mfr. Only

**Bias Spring**  
**10** 0.7 bar (10 psi) Std.  
 Optional Bias Springs considered on OEM request.

**Equivalent Orifice Size**

- A** .030 in.
- B** .033 in.
- C** .038 in.
- D** .042 in.
- E** .053 in.
- F** .056 in.
- G** .047 in.
- H** .028 in.

**Seals**

- N** Buna N (Std.)
- V** Fluorocarbon