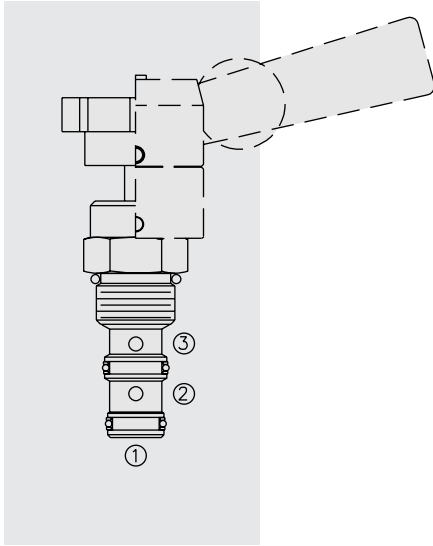


DIRECTIONAL VALVES

MR10-31 Manual Rotary 3-Way, 2-Pos. Directional Valve



DESCRIPTION

A manually-operated three-way, two-position directional valve with adaptability to a variety of adjustment operators (ordered separately).

OPERATION

Rotation of 90°, 2-position. In extreme counterclockwise position, ports ① and ② are open while port ③ is closed. In extreme clockwise position, ports ① and ③ are open while port ② is closed. All ports are closed in transition.

FEATURES

- Two-position detent or infinite friction lock ordered separately.
- May be fully pressurized at all ports.
- Optional lock-down bracket.
- Heavy-duty construction.
- Industry common cavity.

RATINGS

Operating Pressure: 240 bar (3500 psi)

Max. Flow: See Performance Chart

Internal Leakage: 164 cc/min. (10 cu. in./min.) at 240 bar (3500 psi)

Temperature: -40 to 120°C with standard Buna N seals

Spring Return Option: Returns clockwise

Fluids: Mineral-based or synthetics with lubricating properties at viscosities of 7.4 to 420 cSt (50 to 2000 sus); See Temperature and Oil Viscosity, page 9.060.1

Installation: No position restrictions; See page 9.020.1

See page 4.990.2 for operator handles/knobs installation;

See page 4.990.1 for lock-down bracket installation.

Cavity: VC10-3; See page 9.110.1

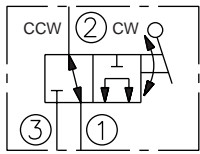
Cavity Tool: CT10-3XX; See page 8.600.1

Seal Kit: SK10-3X-MM; See page 8.650.1

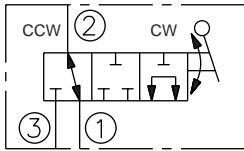
Lock-Down Bracket Kit: Part Number 5399000

SYMBOLS

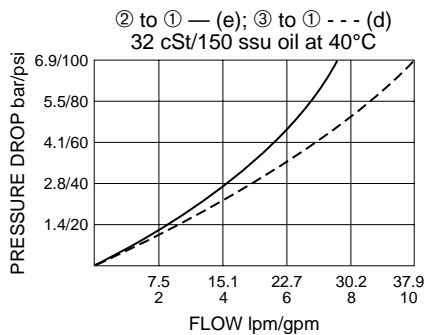
USASI/ISO:



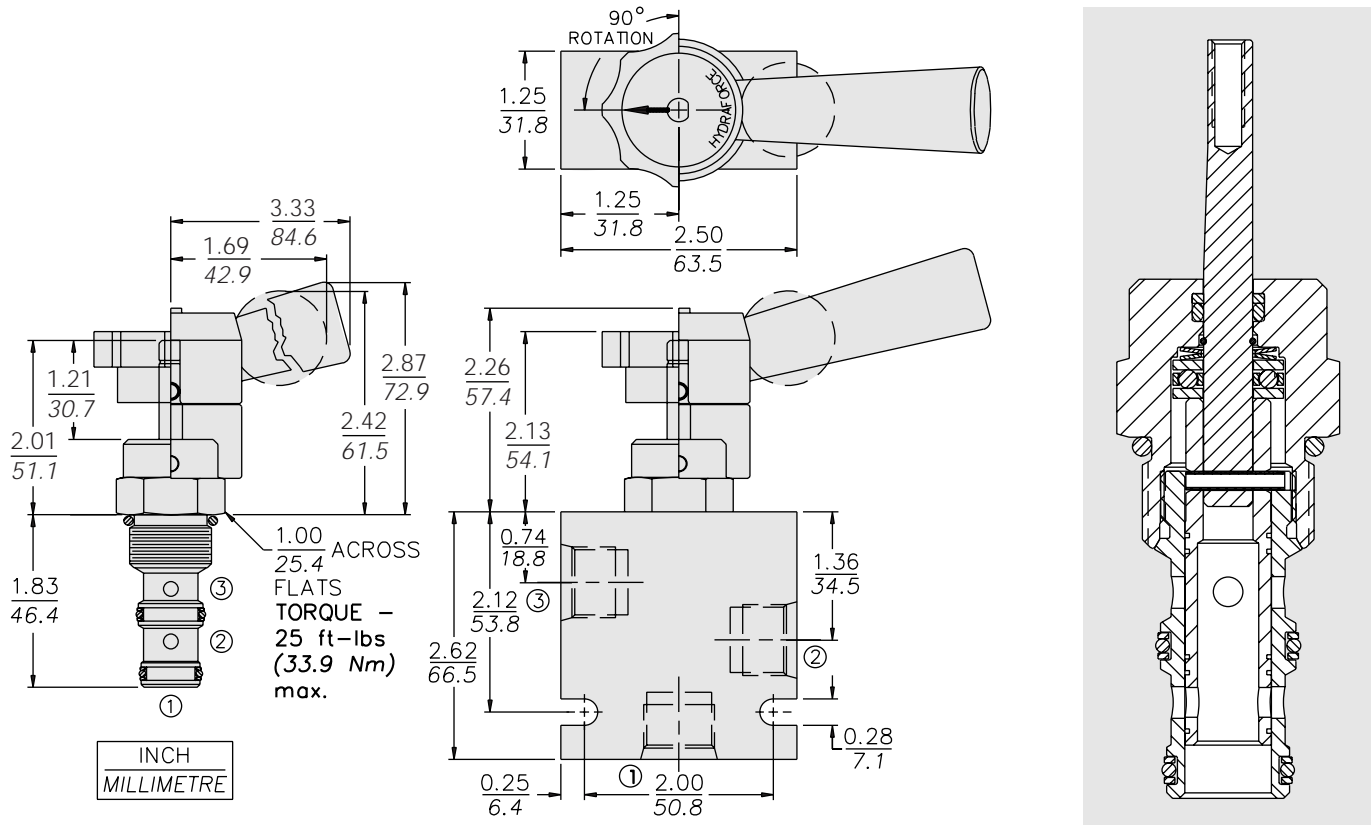
TRANSITION:



PERFORMANCE (Cartridge Only)



DIMENSIONS



MATERIALS

Cartridge: Weight: 0.12 kg. (0.27 lbs.)
Steel with hardened work surfaces.
Zinc-plated exposed surfaces.
Buna N O-rings and Fluorocarbon back-ups standard.

Standard Ported Body: Weight:
0.27 kg. (0.60 lbs.) Anodized high-strength 6061 T6 aluminum alloy, rated to 207 bar (3000 psi). Ductile iron bodies available; dimensions may differ. See page 8.010.1

Lever-Type Handle: (Sold Separately)
Weight: 0.18 kg. (0.38 lbs.) Steel with hardened work surfaces. Zinc-plated exposed surfaces. Plastic lever arm.

TO ORDER

MR10-31		-	-	-	-
Option	None (Blank)				
Seals	N Buna N (Std.)				
	V Fluorocarbon				
Porting					
Cartridge Only	0				
SAE 6	6T				
SAE 8	8T				
SAE 8 with Lock-Down Bracket	8TL				
1/4 in. BSP*	2B				
3/8 in. BSP*	3B				
*BSP Body; U.K. Mfr. Only					

NOTE: To order standard operator kits, refer to pages 4.770.1 and 4.770.2