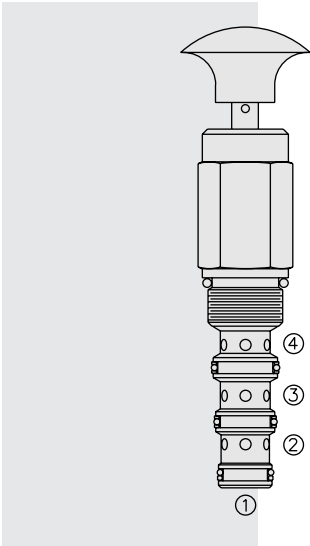


DIRECTIONAL VALVES

MP10-47B Manual Pull/Push-to-Shift, 3-Position,



DESCRIPTION

A 4-way, 3-position, spool-type, open center, manual pull/push-to-shift, spring-return, directional hydraulic cartridge valve.

OPERATION

In its neutral position, the **MP10-47B** has all ports open. In the pulled position, flow is allowed bi-directionally between ports ③ and ④ and from ② to ①. In the pushed position, flow is allowed between ports ③ and ② and from ④ to ①.

FEATURES

- Hardened spool and cage for long life.
- Industry common cavity.

RATINGS

Operating Pressure:

Ports ②, ③ and ④: 207 bar (3000 psi)

Port ① (Max.): 14 bar (200 psi)

Flow: See Performance Chart

Internal Leakage: 164 cc/minute (10 cu. in./minute) at 207 bar (3000 psi) max.

Mechanical Pull/Push Effort Required: 9.0 kg. (20 lbs.) initial;
11.3 kg. (25 lbs.) full stroke

Temperature: -40 to 120°C

Filtration: See page 9.010.1

Fluids: Mineral-based or synthetics with lubricating properties at viscosities of 7.4 to 420 cSt (50 to 2000 sus); See Temperature and Oil Viscosity, page 9.060.1

Installation: No restrictions; See page 9.020.1

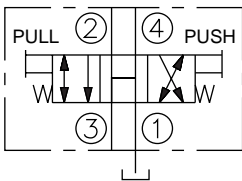
Cavity: VC10-4; See page 9.110.1

Cavity Tool: CT10-4XX; See page 8.600.1

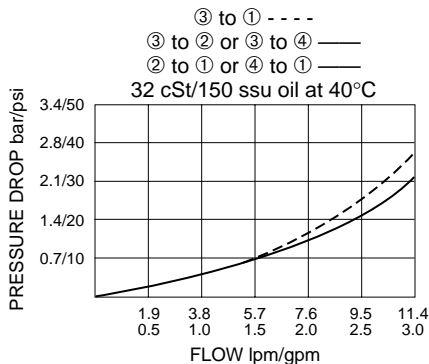
Seal Kit: SK10-4X-MMT; See page 8.650.1

SYMBOLS

USAS/ISO:



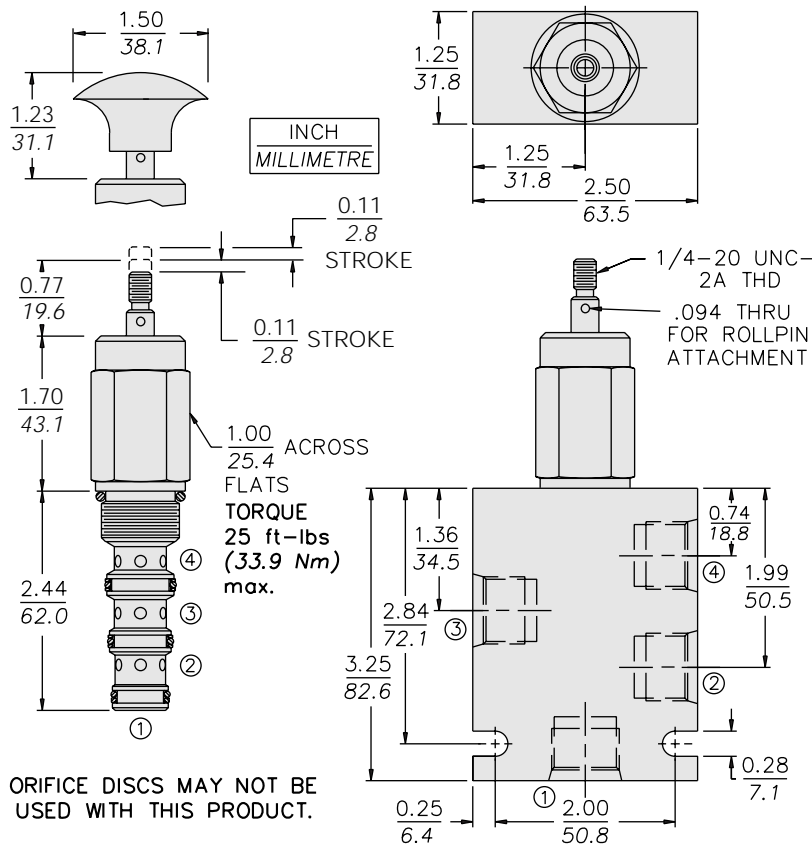
PERFORMANCE (Cartridge Only)



4-Way, Open Center

MP10-47B

DIMENSIONS



MATERIALS

Cartridge: Weight: 0.32 kg. (0.70 lbs.)
Steel with hardened work surfaces.
Zinc-plated exposed surfaces.
Buna N O-rings and polyester
elastomer back-ups standard.
Plastic knob optional.

Standard Ported Body: Weight:
0.34 kg. (0.75 lbs.) Anodized high-
strength 6061 T6 aluminum alloy,
rated to 207 bar (3000 psi). Ductile
iron bodies available; dimensions
may differ. See page 8.010.1

TO ORDER

