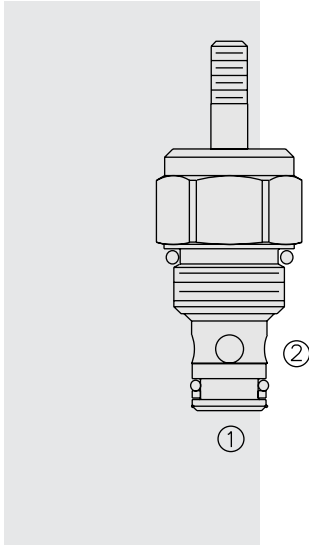


DIRECTIONAL VALVES

MP08-20 Manual, Spring Return, Pull-to-Open



DESCRIPTION

A manual, 2-way, pull-to-open, screw-in hydraulic directional valve.

OPERATION

The **MP08-20** blocks flow from ② to ① until an operator pulls the shaft outward.

Note: Pressure at port ① will directly act on the spool and spring. Port ① is intended to be a tank port only.

The bias spring allows for up to 12.4 bar (180 psi) back-pressure at ① before the valve will open.

FEATURES

- Hardened seat for long life and low leakage.
- Remains closed to 12.4 bar (180 psi) back-pressure.
- Industry common cavity.

RATINGS

Operating Pressure:

Port ②: 207 bar (3000 psi)

Port ①: 12.4 bar (180 psi) max.

Proof Pressure: 350 bar (5075 psi)

Flow: See Performance Chart

Internal Leakage ② to ①: 0.25 cc/minute (5 drops/minute) max. at 207 bar (3000 psi)

Mechanical Pull Effort Required at Rated Pressure: 4.5 kg. (10.0 lbs.) initial;
6.8 kg. (15.0 lbs.) full shift

Temperature: -40 to 120°C

Filtration: See page 9.010.1

Fluids: Mineral-based or synthetics with lubricating properties at viscosities of 7.4 to 420 cSt (50 to 2000 sus); See Temperature and Oil Viscosity, page 9.060.1

Installation: No restrictions; See page 9.020.1

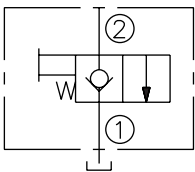
Cavity: VC08-2; See page 9.108.1

Cavity Tool: CT08-2XX; See page 8.600.1

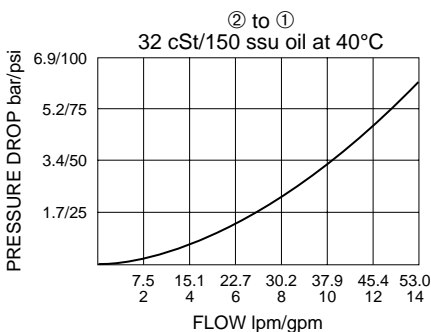
Seal Kit: SK08-2X-T; See page 8.650.1

SYMBOLS

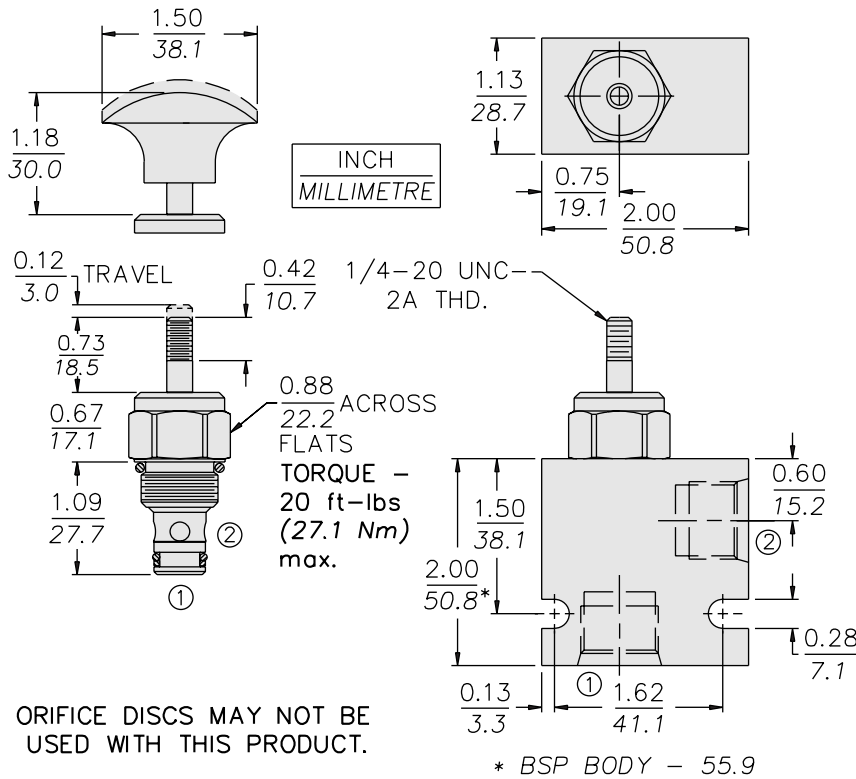
USAS/ISO:



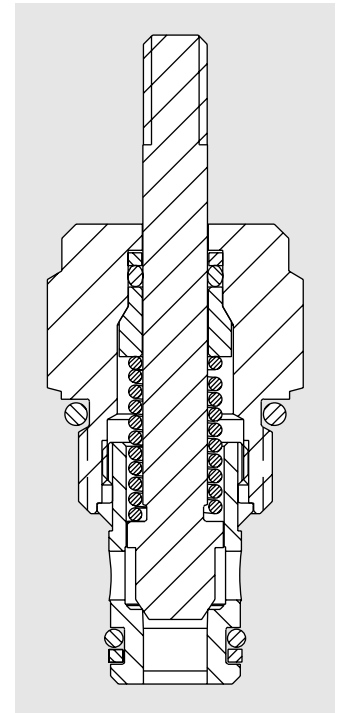
PERFORMANCE (Cartridge Only)



DIMENSIONS



ORIFICE DISCS MAY NOT BE USED WITH THIS PRODUCT.



MATERIALS

Cartridge: Weight: 0.10 kg. (0.22 lbs.)
Steel with hardened work surfaces;
Zinc-plated exposed surfaces.
Buna N O-rings and back-ups
standard. Plastic knob optional.

Standard Ported Body: Weight:
0.16 kg. (0.35 lbs.) Anodized high-
strength 6061 T6 aluminum alloy,
rated to 207 bar (3000 psi). Ductile
iron bodies available; dimensions
may differ. See page 8.008.1

TO ORDER

MP08-20 - -

Option

Threaded Shaft w/Spring Return **T**
Black Plastic Knob w/Spring Return **K**
Red Plastic Knob w/Spring Return **J**

Seals

N Buna N (Std.)
V Fluorocarbon

Porting

Cartridge Only **0**
SAE 4 **4T**
SAE 6 **6T**
1/4 in. BSP* **2B**
3/8 in. BSP* **3B**
1/2 in. BSP* **4B**

*BSP Body; U.K. Mfr. Only