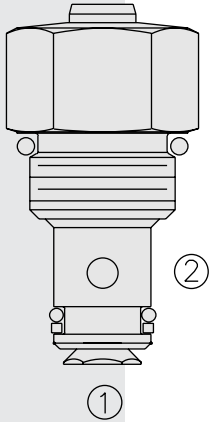


DIRECTIONAL VALVES

MV08-22 Manual Release Valve



DESCRIPTION

A cam-operated, two-way, normally-closed poppet-type directional valve.

OPERATION

The **MV08-22** blocks flow in the ② to ① flow path until cam force is supplied sufficient to overcome the spring bias plus load force.

Note: For applications requiring the ① to ② flow path, consult factory.

FEATURES

- Hardened seat and poppet for long life.
- Stainless steel cam button.

RATINGS

Operating Pressure: 207 bar (3000 psi)

Flow: 15.1 lpm (4 gpm)

Internal Leakage: 0.15 cc/minute (3 drops/minute) max. from 20.7 to 207 bar (300 to 3000 psi) on port ②

Required Cam Force for Operation Port ② Loaded:

No load: 9.1 kgs. (20 lbs.)

69 bar (1000 psi): 20.9 kgs. (46 lbs.)

138 bar (2000 psi): 32.7 kgs. (72 lbs.)

207 bar (3000 psi): 44.5 kgs. (98 lbs.)

Temperature: -40 to 120°C

Filtration: See page 9.010.1

Fluids: Mineral-based or synthetics with lubricating properties at viscosities of 7.4 to 420 cSt (50 to 2000 sus); See Temperature and Oil Viscosity, page 9.060.1

Installation: Position unlimited. 11.9 mm (15/32 in.) diameter drill, 32.5 mm (1.28 in.) from spotface required minimum.

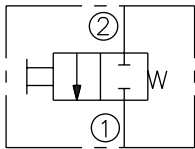
Cavity: VC08-2, Cavity Variation "A"; See page 9.108.1

Cavity Tool: CT08-2; See page 8.600.1

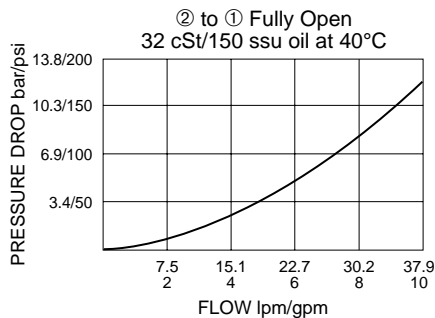
Seal Kit: SK08-2X-T; See page 8.650.1

SYMBOLS

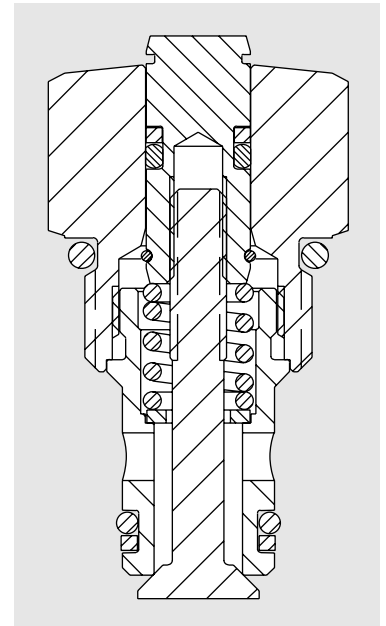
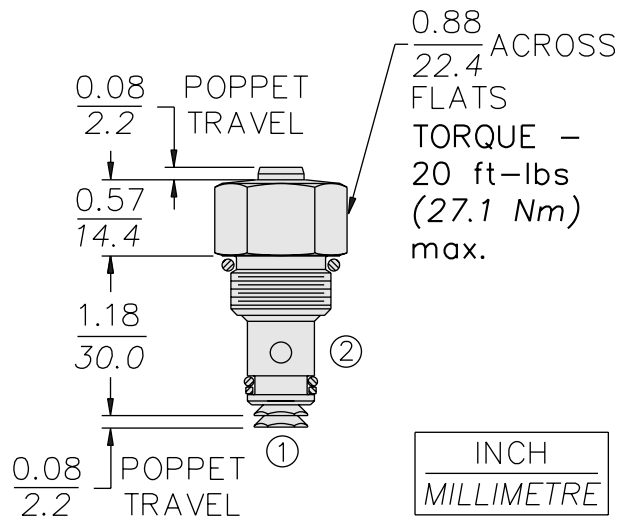
USASI/ISO:



PERFORMANCE (Cartridge Only)



DIMENSIONS



ORIFICE DISCS SHOULD NOT BE USED WITH THIS PRODUCT.

MATERIALS

Cartridge: Weight: 0.05 kg. (0.12 lbs.)
 Stainless steel pin. Steel with hardened work surfaces.
 Zinc-plated exposed surfaces.
 Buna N O-rings and back-up standard.

Standard Ported Body: None.
 Consult factory.

TO ORDER

MV08-22-0-

Seals

- N** Buna N (Std.)
- V** Fluorocarbon