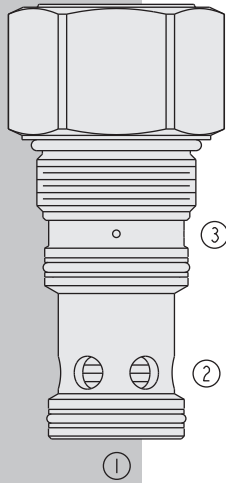


HEV42-S34 HyPerformance™ Vented Spool-Type



DESCRIPTION

A high-pressure spool-type, screw-in, cartridge-style, hydraulic directional element, with multi-function potential when used with other directional, pressure, or flow control devices.

OPERATION

The HEV42-S34 is a spring-biased blocking valve which will shift to allow full flow from 1 to 2 only when 3 is vented to create a pressure drop across the internal orifice which exceeds the pressure value of the selected bias spring force.

HEV42-S34 is a vent-to-open directional element.

FEATURES

- Multiple function/application potential.
- Smooth shift transition.
- Low pressure drop.
- All HyPerformance™ products are tested to the rigorous standards of the NFPA specification T2.6.1.
- All HyPerformance™ valves are tested at a verification level of 90% and an assurance of 99%.

RATINGS

Operating Pressure: 350 bar (5075 psi); 10% cycle life: 420 bar (6090 psi)
 Note: All HyPerformance™ products are tested for 900K cycles at 350 bar and 100K at 420 bar.

Fatigue Rating: 2 million cycles at 420 bar

Burst Pressure: 1380 bar (20000 psi)

Flow: Up to 379 lpm (100 gpm)

Internal Leakage: 164 ml/minute (10 cu. in./minute) max. at 350 bar (5075 psi)

Operating Temperature: -54 to 107°C (-65 to 225°F) with Urethane seals

Filtration: See page 9.010.1

Fluids: Mineral-based or synthetics with lubricating properties at viscosities of 7.4 to 420 cSt (50 to 2000 sus); See Temperature and Oil Viscosity, page 9.060.1

Installation: No restrictions; See page 9.020.1

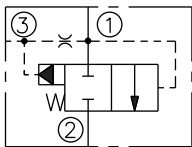
Cavity: HVC42-S3; See page 9.142.1

Cavity Tool: HCT42-S3XX; See page 8.600.1

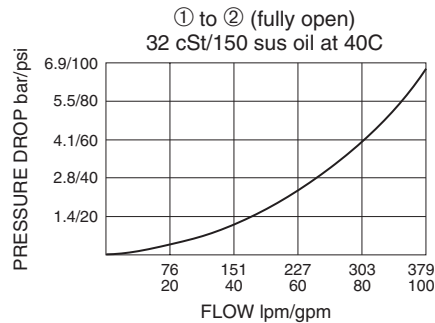
Seal Kit: SK42-S3X-X; See page 8.650.1

SYMBOLS

USASI/ISO:



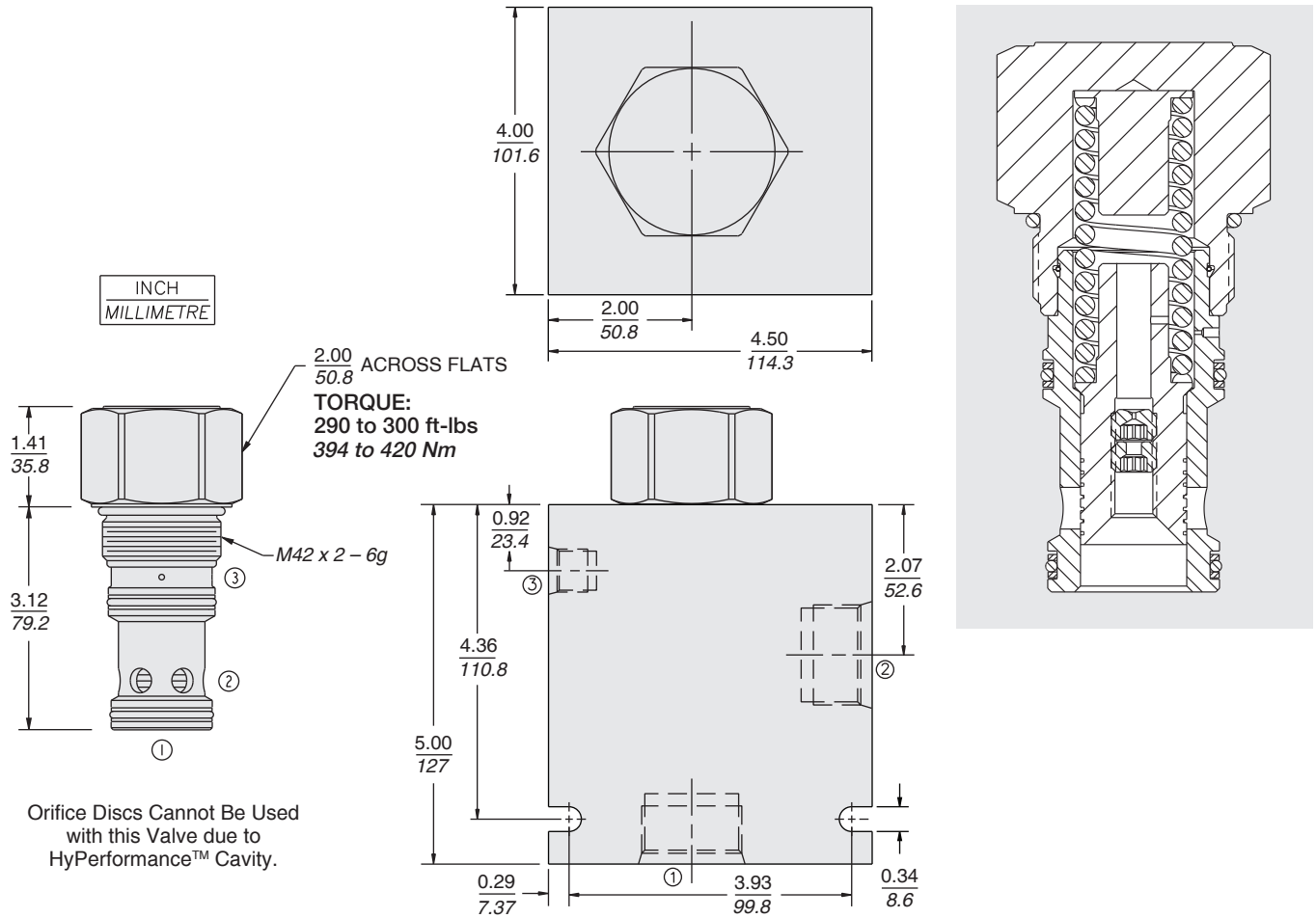
PERFORMANCE (Cartridge Only)



Directional Element

HEV42-S34

DIMENSIONS



MATERIALS

Cartridge: Weight: 1.04 kg. (2.30 lbs.)
Steel with hardened work surfaces.
Zinc-nickel plated exposed surfaces.
PPDI Urethane seals with no backup rings standard.

Ported Body: Weight: 9.03 kg. (19.9 lbs.); HyPerformance™
Ductile iron (code 'D') standard.
Rated to 345 bar (5000 psi).

TO ORDER

HEV42-S34 -

Porting
Cartridge Only 0
SAE 20 20TD
1-1/4 in. BSP* 10BD
*BSP Body; U.K. Mfr. Only

Bias Spring Value
20 1.4 bar (20 psi)
50 3.4 bar (50 psi)
80 5.5 bar (80 psi)
190 13.1 bar (190 psi)

Seals

U PPDI Urethane — Recommended for pressures above 241 bar (3500 psi)