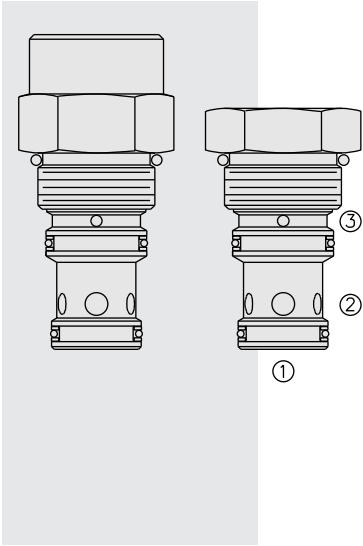


EV16-S34 Vented Spool-Type Logic Element



DESCRIPTION

A spool-type, screw-in, cartridge-style, hydraulic directional element, with multi-function potential when used with other directional, pressure, or flow control devices.

OPERATION

The **EV16-S34** is a spring-biased blocking valve which will shift to allow full flow from 1 to 2 only when 3 is vented to create a pressure drop across the internal orifice which exceeds the pressure value of the selected bias spring force.

EV16-S34 is a vent-to-open directional valve. It requires a tall cap when specified with bias springs from 6,2 to 16,5 bar (90 to 240 psi). The 240 psi spring requires an extra tall cap.

NOTE: Orifice discs should not be used with this valve.

FEATURES

- Multiple function/application potential.
- Smooth shift transition.
- Low pressure drop.
- Industry common cavity.

RATINGS

Operating Pressure: 240 bar (3500 psi)

Proof Pressure: 420 bar (6090 psi)

Flow: See Performance Chart

Internal Leakage: 164 cc/minute (10 cu. in./minute) max. at 207 bar (3000 psi)

Temperature: -40 to 100°C (-40 to 212° F) with standard Buna seals;

-26 to 204°C (-15 to 400° F) with Fluorocarbon seals;

-54 to 104°C (-65 to 225° F) with Polyurethane seals.

Filtration: See page 9.010.1

Fluids: Mineral-based or synthetics with lubricating properties at viscosities of 7.4 to 420 cSt (50 to 2000 sus); See Temperature and Oil Viscosity, page 9.060.1

Installation: No restrictions; See page 9.020.1

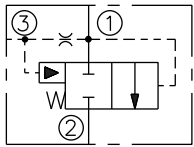
Cavity: VC16-S3; See page 9.116.1

Cavity Tool: CT16-S3xx; See page 8.600.1

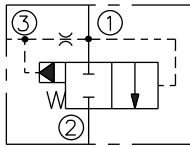
Seal Kit: SK16-S3x-MM; See page 8.650.1

SYMBOLS

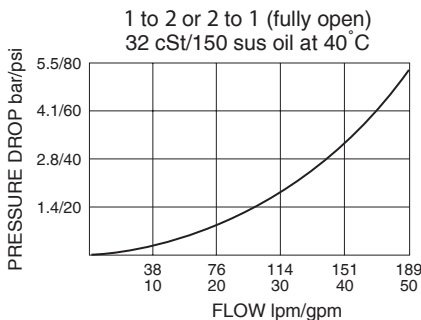
USASI:



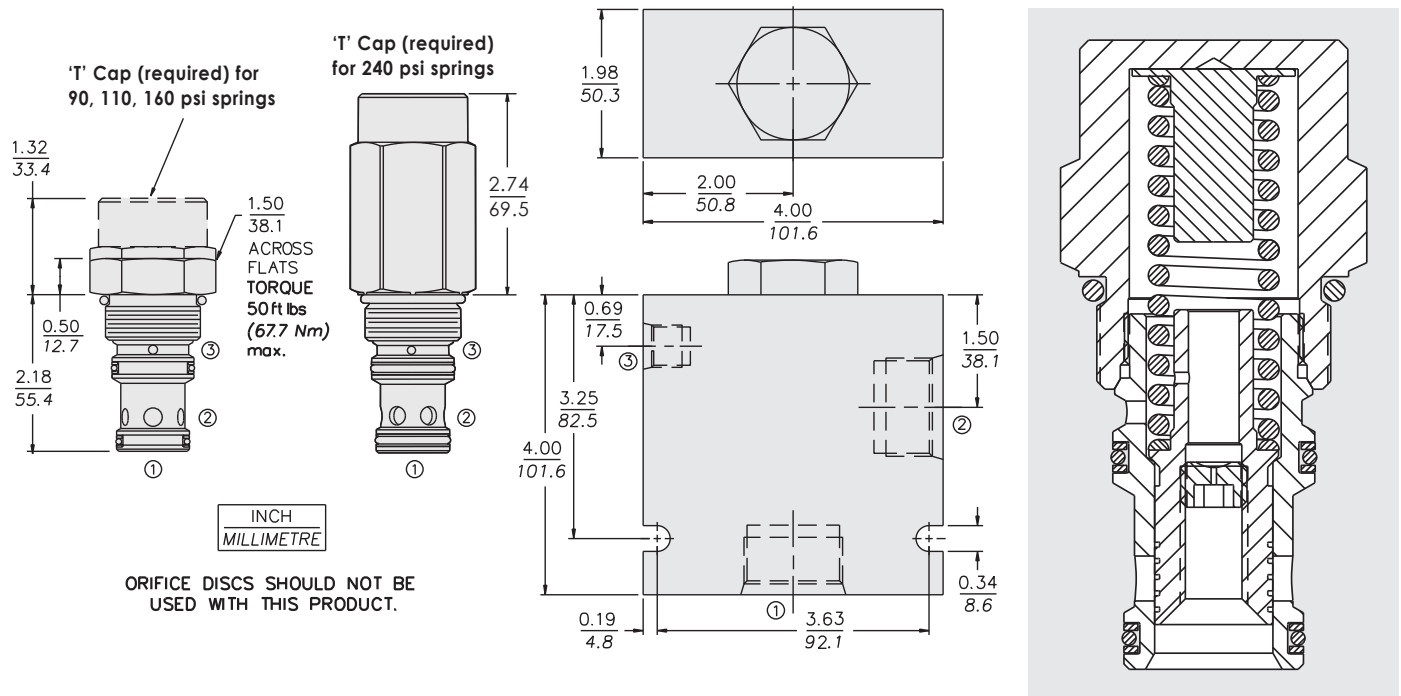
ISO:



PERFORMANCE (Cartridge Only)



DIMENSIONS



MATERIALS

Cartridge: Weight: 0.27 kg. (0.60 lbs.)
Steel with hardened work surfaces.
Zinc-plated exposed surfaces.
Buna N O-rings and polyester elastomer back-ups standard.

Standard Ported Body: Weight:
1.50 kg. (3.3 lbs.) Anodized high-strength 6061 T6 aluminum alloy, rated to 207 bar (3000 psi). Ductile iron bodies available; dimensions may differ. See page 8.016.1.

TO ORDER

EV16-S34		-	-	-	-
Option	None (Blank)				
	Tall Cap	T			
Porting	Cartridge Only	0			
	SAE 16 w/SAE 6 Vent Port	16T			
	Bias Spring (Crack)				
	10	0.7 bar (10 psi)			
	20	1.4 bar (20 psi)			
	40	2.8 bar (40 psi)			
	70	4.8 bar (70 psi)			
	*90	6.2 bar (90 psi)			
	*110	7.6 bar (110 psi)			
	*160	11.0 bar (160 psi)			
	*240	16.5 bar (240 psi)			

‡ T Tall Cap Option required for 6.2 - 16.5 bar (90 - 240 psi) bias springs.

Seals

- N Buna N (Std.)
- V Fluorocarbon
- P Polyurethane