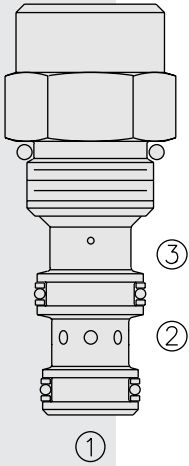


DIRECTIONAL VALVES

EP08-35 Piloted Directional Element



DESCRIPTION

A spool-type, screw-in, cartridge-style, hydraulic directional element, with multi-function potential when used with other directional, pressure, or flow control devices.

OPERATION

The EP08-35 is a spring-biased blocking valve which will shift to allow full flow from ① to ② only when pressure at ① exceeds the cumulative pressure of ③, plus the bias spring pressure value.

EP08-35 is a pilot-to-close directional valve.

With no pressure at ③, flow will be allowed from ① to ② once the bias spring force is overcome with pressure at ①.

FEATURES

- Multiple function/application potential.
- Low pressure drop.
- Industry common cavity
- Compact size.

RATINGS

Maximum Operating Pressure: 345 bar (5000 psi) with steel or ductile housing;
207 bar (3000 psi) with aluminum housing

Flow Rate: See Performance Chart

Maximum Internal Leakage: 115 ml per minute (7 cu. in. per minute)
at 345 bar (5000 psi)

Bias Springs:

- Code 10** 0.7 bar (10 psi)
- Code 40** 2.8 bar (40 psi)
- Code 80** 5.5 bar (80 psi)
- Code 110** 7.6 bar (110 psi)
- Code 150** 10.3 bar (150 psi)

Temperature: -40 to 120°C with standard Buna N seals

Filtration: See page 9.010.1

Fluids: Mineral-based or synthetics with lubricating properties at viscosities of
7.4 to 420 cSt (50 to 2000 sus); See Temperature and Oil Viscosity, page 9.060.1

Installation: No restrictions; See page 9.020.1

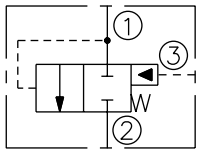
Cavity: VC08-3; See page 9.108.1

Cavity Tool: CT08-3XX; See page 8.600.1

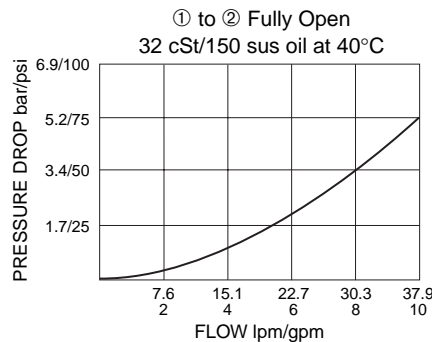
Seal Kit: SK08-3X-MM; See page 8.650.1

SYMBOLS

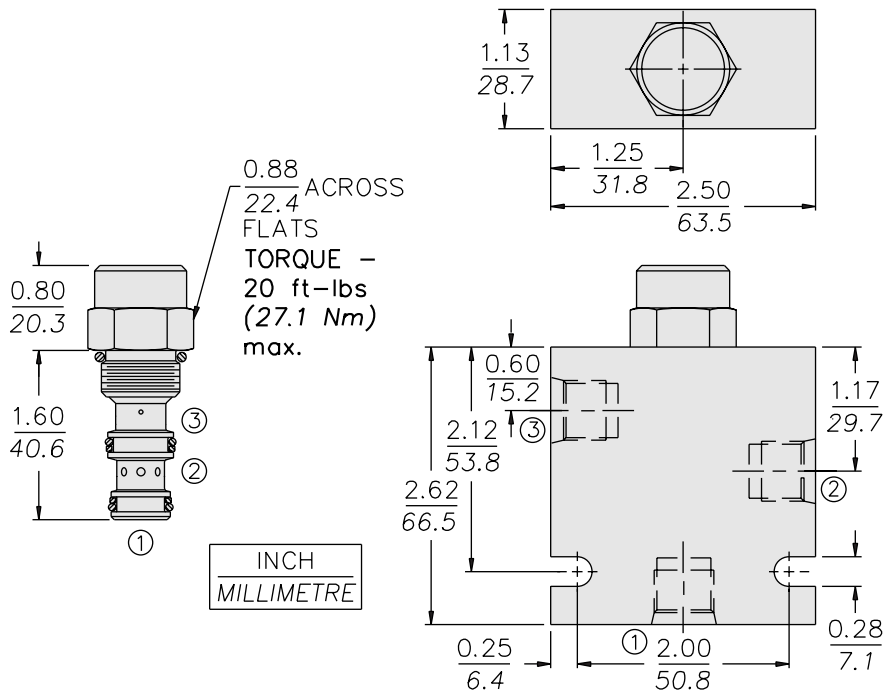
USASI/ISO:



PERFORMANCE (Cartridge Only)



DIMENSIONS



MATERIALS

Cartridge: Weight: 0.11 kg. (0.25 lbs.)
Steel with hardened work surfaces.
Zinc-plated exposed surfaces.
Buna N O-rings and back-ups
standard.

Ported Body: Weight: 0.64 kg.
(1.4 lbs.) Ductile Iron (code "D")
standard, dimensions may differ
from illustration; rated to 345 bar
(5000 psi). See page 8.008.1

Ported Body: Weight: 0.36 kg.
(0.80 lbs.) Anodized high-strength
6061 T6 aluminum alloy, rated to
207 bar (3000 psi).
See page 8.008.1

TO ORDER

