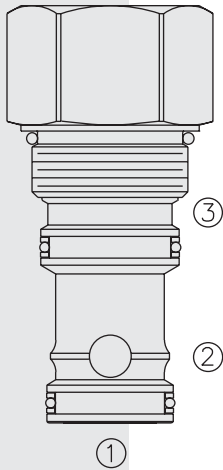


DIRECTIONAL VALVES

EPFR20-S35 Pressure Compensator with Internal



DESCRIPTION

A screw-in, cartridge-style, bypass-type, pressure-compensating element, with integral flow regulator for load sense signal drain. The internal pressure-compensated flow regulator restricts the load signal bleed flow in order to minimize system losses even at high operating pressures. The main compensator element holds the valves primary flow constant regardless of load pressure changes.

OPERATION

The EPFR20-S35 is a spring-biased spool-type valve with an internal pressure-compensated flow regulator between ② and ③. When used as a pump unloading compensator, this valve will bypass flow to tank at port ② when system pressure reaches the load pressure plus the bias spring value. When the system load is neutralized, the load signal is bled through the flow regulator bringing the valve to stand-by condition.

FEATURES

- Multiple function in a single cavity.
- Low bleed flow throughout the operating pressure range.
- High system efficiency.
- Industry common cavity

RATINGS

Operating Pressure: Cartridge only: 320 bar (4600 psi);

Aluminum housing: 207 bar (3000 psi); Ductile iron housing: 345 bar (5000 psi).

Flow: 303 lpm (80 gpm); See Performance Chart

Maximum Flow Loss between ③ and ②: 0.95 lpm (0.25 gpm) at 320 bar (4600 psi)

Bias Spring Pressure Options: 6.2 bar (90 psi); 11.0 bar (160 psi)

Operating Fluid Temperature: -40°C to 120°C with Buna N seals;

-35°C to 204°C with Fluorocarbon seals;

-54°C to 107°C with Polyurethane seals

Filtration: See page 9.010.1

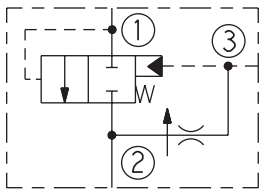
Fluids: Mineral-based or synthetics with lubricating properties at viscosities of 7.4 to 420 cSt (50 to 2000 sus); See Temperature and Oil Viscosity, page 9.060.1

Installation: No restrictions; See page 9.020.1

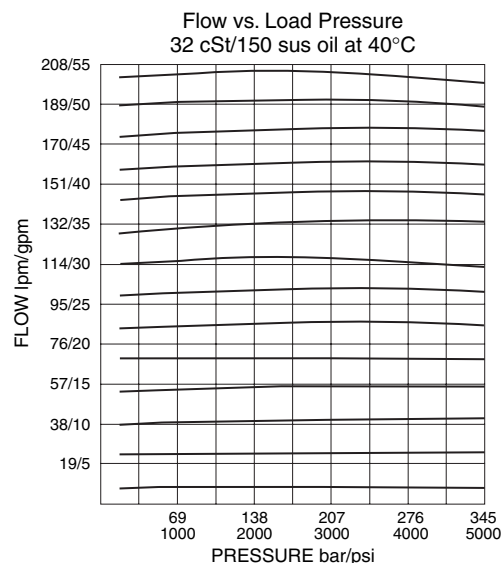
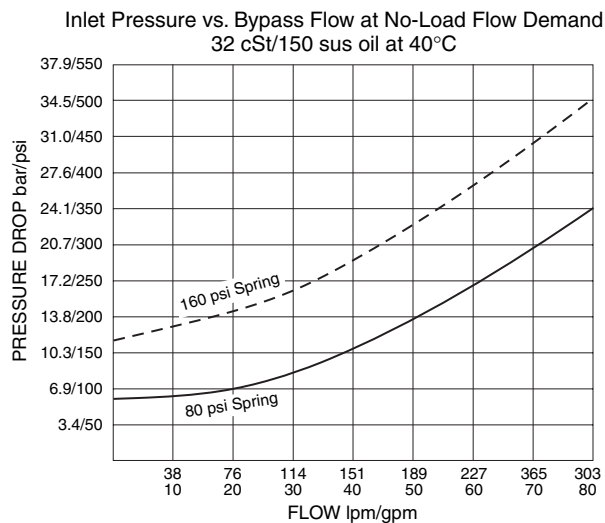
Cavity: VC20-S3; See page 9.120.1; **Cavity Tool:** CT20-S3xx; See page 8.600.1

Seal Kit: SK20-S3x-MM; See page 8.650.1

SYMBOL



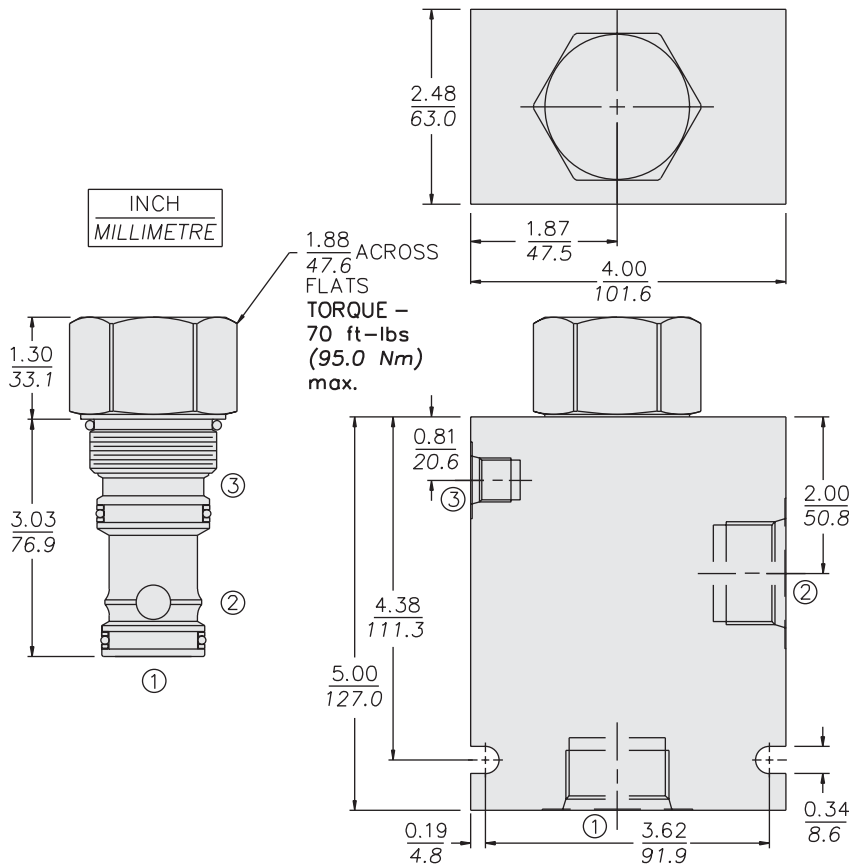
PERFORMANCE (Cartridge Only)



Load-Sense Drain Flow Control

EPFR20-S35

DIMENSIONS



MATERIALS

Cartridge: Weight: 0.77 kg. (1.7 lbs.)
Steel with hardened work surfaces.
Zinc-plated exposed surfaces.
Buna N O-rings and polyester
elastomer back-ups standard.

Standard Ported Body: Weight:
1.65 kg. (3.65 lbs.) Anodized high-
strength 6061 T6 aluminum alloy,
rated to 207 bar (3000 psi). Ductile
iron bodies available; dimensions
may differ. See page 8.020.1.

TO ORDER

