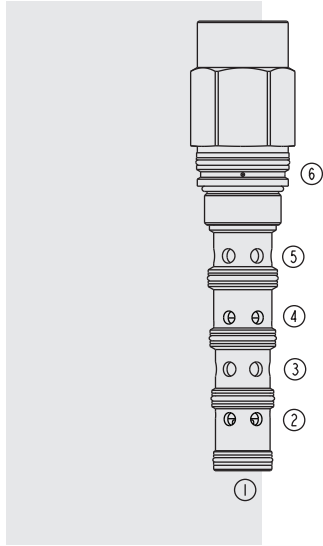


# HPD16-S67D HyPerformance™ Piloted, 4-Way



## DESCRIPTION

A high pressure screw-in, cartridge-style, pilot-operated, spool-type, hydraulic directional valve.

## OPERATION

When the HPD16-S67D is in neutral position, port 3 is blocked and flow is allowed between ports 2, 4 and 5. When the remote pilot signal at 1 exceeds the force of the bias spring, the spool shifts to allow flow between 3 and 4, and between 2 and 5. When remote pilot signal at 6 exceeds the force of the bias spring, the spool shifts to allow flow from 3 to 2 and from 4 to 5.

## FEATURES

- Hardened spool and cage for long life.
- 110 and 170 psi bias springs available.
- All HyPerformance™ products are tested to the rigorous standards of the NFPA specification T2.6.1.
- All HyPerformance™ valves are tested at a verification level of 90% and an assurance of 99%.

## RATINGS

**Operating Pressure:** 350 bar (5075 psi); 10% life cycle: 420 bar (6090 psi)

Note: All HyPerformance products are tested for 900K cycles at 350 bar and 100K at 420 bar.

**Proof Pressure:** 690 bar (10000 psi)

**Burst Pressure:** 1380 bar (20000 psi)

**Flow Rating:** 95 lpm (25 gpm)

**Maximum Internal Leakage:** at 350 bar (5075 psi): 492 ml/minute (30 cu. in./minute)

**Operating Temperature:** -54° to 107°C (-65° to 225°F) with urethane seals

**Filtration:** See page 9.010.1

**Fluids:** Mineral-based or synthetics with lubricating properties at viscosities of 7.4 to 420 cSt (50 to 2000 sus); See Temperature and Oil Viscosity, page 9.060.1

**Installation:** No restrictions; See page 9.020.1

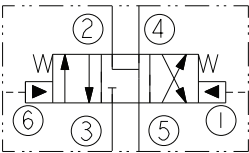
Note: Adaptor lock kit HF P/N 4207660 (sold separately) may be required when pilot pressure exceeds 35 bar (500 psi).

**Cavity:** HVC16-S6; See page 9.116.1

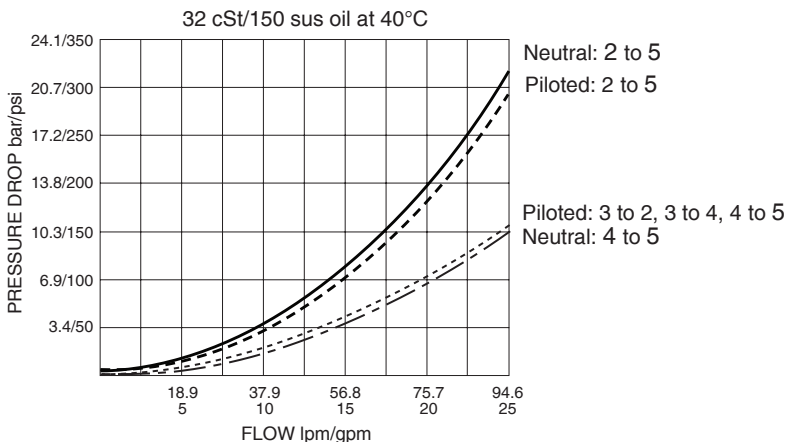
**Cavity Tool:** HCT16-S6XX; See page 8.600.1

**Seal Kit:** HSK16-S6U-00000; See page 8.650.1

## ISO SYMBOL



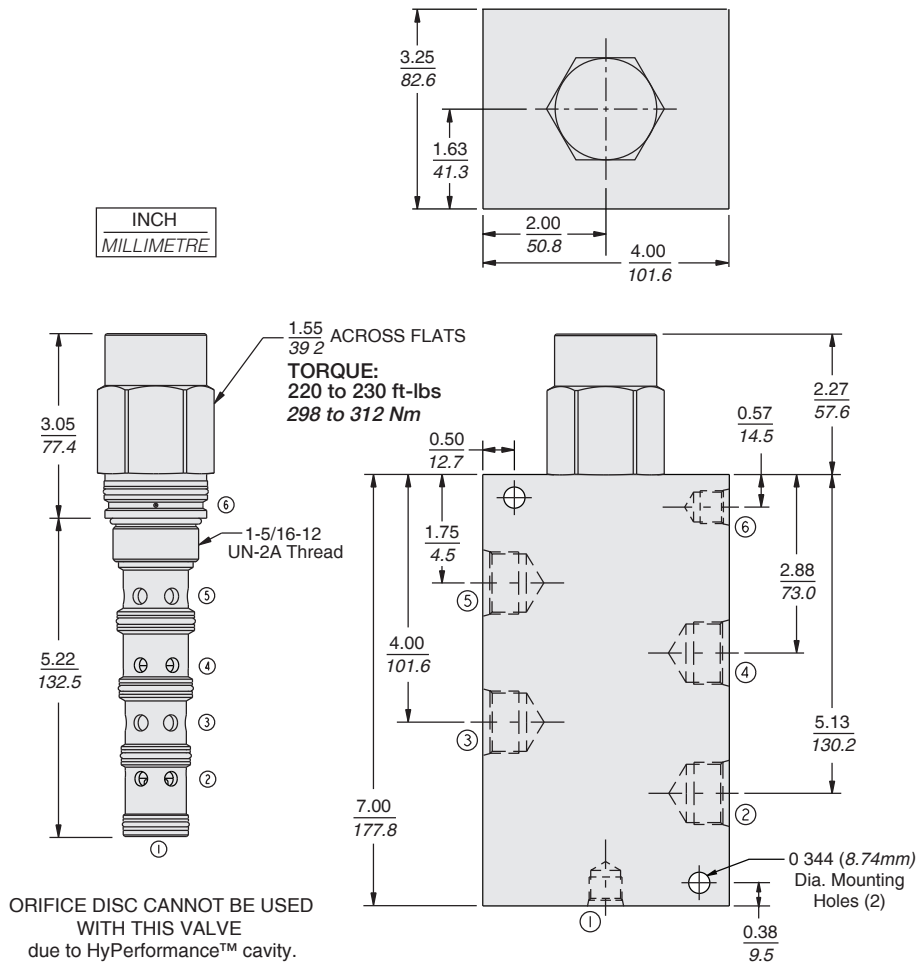
## PERFORMANCE (Cartridge Only)



# Directional Valve

# HPD16-S67D

## DIMENSIONS



## MATERIALS

**Cartridge:** Weight: 1.0 kg. (2.2 lbs.)  
Steel with hardened work surfaces.  
Zinc-plated exposed surfaces.  
Buna N O-rings and polyester elastomer back-ups standard.

**Ported Body:** Weight: 9.13 kg (20.14 lbs.) HyPerformance™ Ductile iron (code 'D') standard. Rated to 345 bar (5000 psi).  
See page 8.016.1.

## TO ORDER

<b>HPD16-S67D -</b>		<b>Bias Spring</b>	
		<b>110</b>	7.6 bar (110 psi)
		<b>170</b>	11.7 bar (170 psi)
<b>Porting</b>			
Cartridge Only	<b>0</b>		
SAE 16	<b>16TD</b>		
1" BSP	<b>8BD</b>		
		<b>Seals</b>	
		<b>U</b>	PPDI Urethane
		<b>US</b>	PPDI Urethane with sealed spools

**Note:** PPDI Urethane seals are recommended for pressures over 241 bar (3500 psi).

**Note:** Consult factory for additional seal options.