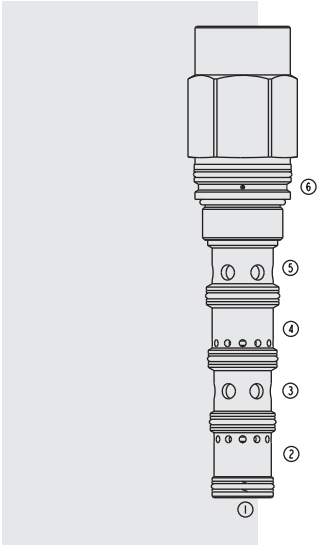
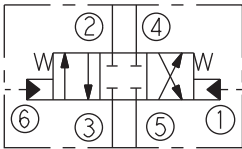


HPD42-S67C HyPerformance™ Piloted 4-Way Spool



SYMBOL



DESCRIPTION

A high-pressure, cartridge-style, pilot-operated, screw-in hydraulic directional valve.

OPERATION

When the **HPD42-S67C** is in neutral position, all ports are blocked. When remote pilot signal at 1, exceeds force of bias spring, the spool shifts to allow flow from 3 to 4 and from 2 to 5. When remote pilot signal at 6 exceeds force of bias spring, the spool shifts to allow flow from 3 to 2 and from 4 to 5.

FEATURES

- Hardened spool and cage for long life.
- Flows up to 379 lpm/100 gpm.
- 1000 hour salt spray tested.
- Vibration tested (3-axis) to 20G RMS.
- All HyPerformance products are tested to the rigorous standards of NFPA specification T2.6.1.
- All HyPerformance products are tested at a verification level of 90% and an assurance of 99%.

RATINGS

Operating Pressure: 350 bar (5075 psi); 10% cycle life: 420 bar (6090 psi)

Note: All HyPerformance products are tested for 900K cycles at 350 bar and 100K at 420 bar

Fatigue Rating: 2 million cycles at 420 bar/6090 psi

Burst Pressure: 1380 bar (20000 psi)

Flow: 189 lpm (50 gpm); See Performance Chart

Maximum Internal Leakage: at 350 bar (5075 psi): 820 ml/minute (50 cu. in./minute)

Temperature: -54 to 107°C (-65 to 225°F) with PPD1 Urethane seals

Ambient Temperature: -40 to 90°C (-40 to 194°F)

Filtration: See page 9.010.1

Fluids: Mineral-based or synthetics with lubricating properties at viscosities of 7.4 to 420 cSt (50 to 2000 sus); See Temperature and Oil Viscosity, page 9.060.1

Installation: No restrictions; See page 9.020.1

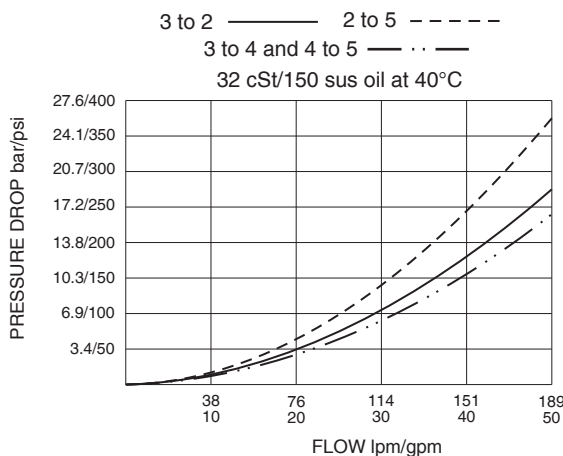
Note: Adaptor lock kit HF P/N 4207540 (sold separately) may be required when pilot pressure exceeds 35 bar (500 psi).

Cavity: HVC42-S6; See page 9.142.1

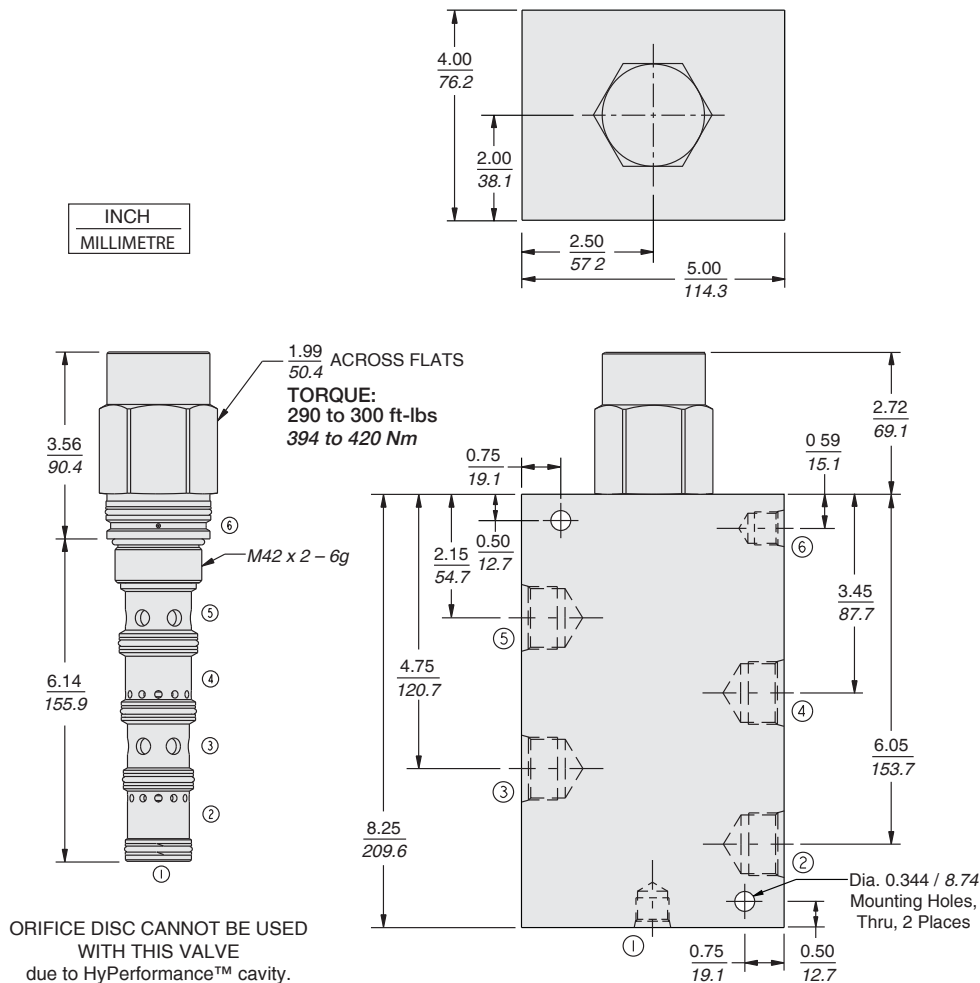
Cavity Tool: HCT42-S6XX; See page 8.600.1

Seal Kit: HSK42-S6U-00000 (PPDI Urethane); See page 8.650.1

PERFORMANCE (Cartridge Only)



DIMENSIONS



MATERIALS

Cartridge: Weight: 2.0 kg. (4.5 lbs.)
Steel with hardened work surfaces.
Zinc-plated exposed surfaces.
Buna N O-rings and polyester elastomer back-ups standard.

Ported Body: Weight: 16.61 kg. (36.62 lbs.) HyPerformance™ Ductile iron (code 'D') standard. PD type.
Rated to 345 bar (5000 psi).
See page 8.042.1

TO ORDER

HPD42-S67C -

Porting
Cartridge Only
SAE 20
1-1/4" BSP*
*BSP body; U.K. mfr. Only

0
20TD
10BD

Bias Spring

170 11.7 bar (170 psi)

Optional bias springs considered on OEM request.

Seals

*U PPDI Urethane
US PPDI Urethane w/Sealed Spool

Consult factory for other available seal options.

*PPDI urethane seals recommended for operating pressures above 241 bar (3500 psi)