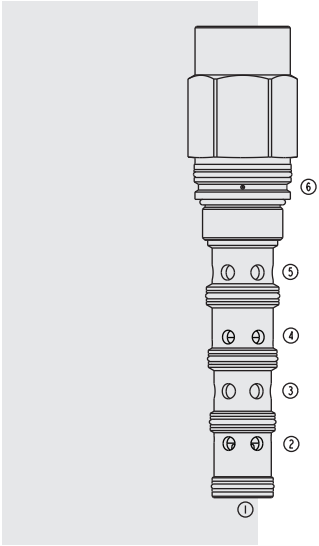
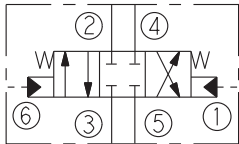


# HPD16-S67C HyPerformance™, Piloted 4-Way,



**SYMBOL**



**DESCRIPTION**

A screw-in, cartridge-style, pilot-operated, spool-type, hydraulic directional valve for use in high pressure applications.

**OPERATION**

When the **HPD16-S67C** is in neutral position, all ports are blocked. When remote pilot signal at 1 exceeds the force of the bias spring, the valve shifts to allow flow between 3 and 4, and between 2 and 5. When remote pilot signal at 6 exceeds the force of the bias spring, the valve shifts to allow flow between 3 and 2 and between 4 and 5.

**FEATURES**

- Hardened spool and cage for long life.
- 110 and 170 psi bias springs available.
- All HyPerformance™ products are tested to the rigorous standards of the NFPA specification T2.6.1.
- All HyPerformance™ valves are tested at a verification level of 90% and an assurance of 99%.

**RATINGS**

**Operating Pressure:** 350 bar (5075 psi); 10% cycle life: 420 bar (6090 psi)

**Proof Pressure:** 690 bar (10000 psi)

**Burst Pressure:** 1380 bar (20000 psi)

**Flow Rating:** 95 lpm (25 gpm); See Performance Chart

**Maximum Internal Leakage:** at 350 bar (5075 psi): 330 ml/minute (20 cu. in./minute)

**Temperature:** -54° to 107°C (-65° to 225°F)

**Filtration:** See page 9.010.1

**Fluids:** Mineral-based or synthetics with lubricating properties at viscosities of 7.4 to 420 cSt (50 to 2000 sus); See Temperature and Oil Viscosity, page 9.060.1

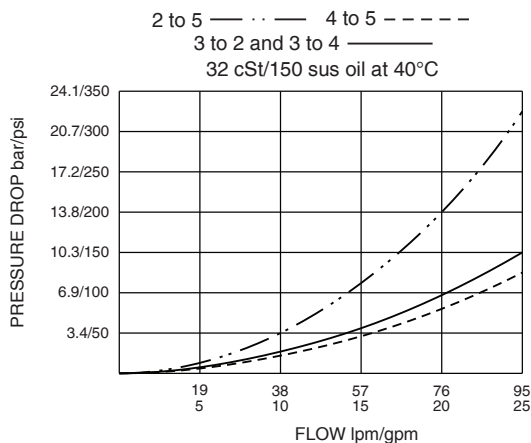
**Installation:** No restrictions; See page 9.020.1

**Cavity:** HVC16-S6; See page 9.116.1

**Cavity Tool:** HCT16-S6XX; See page 8.600.1

**Seal Kit:** HSK16-S6U-000000; See page 8.650.1

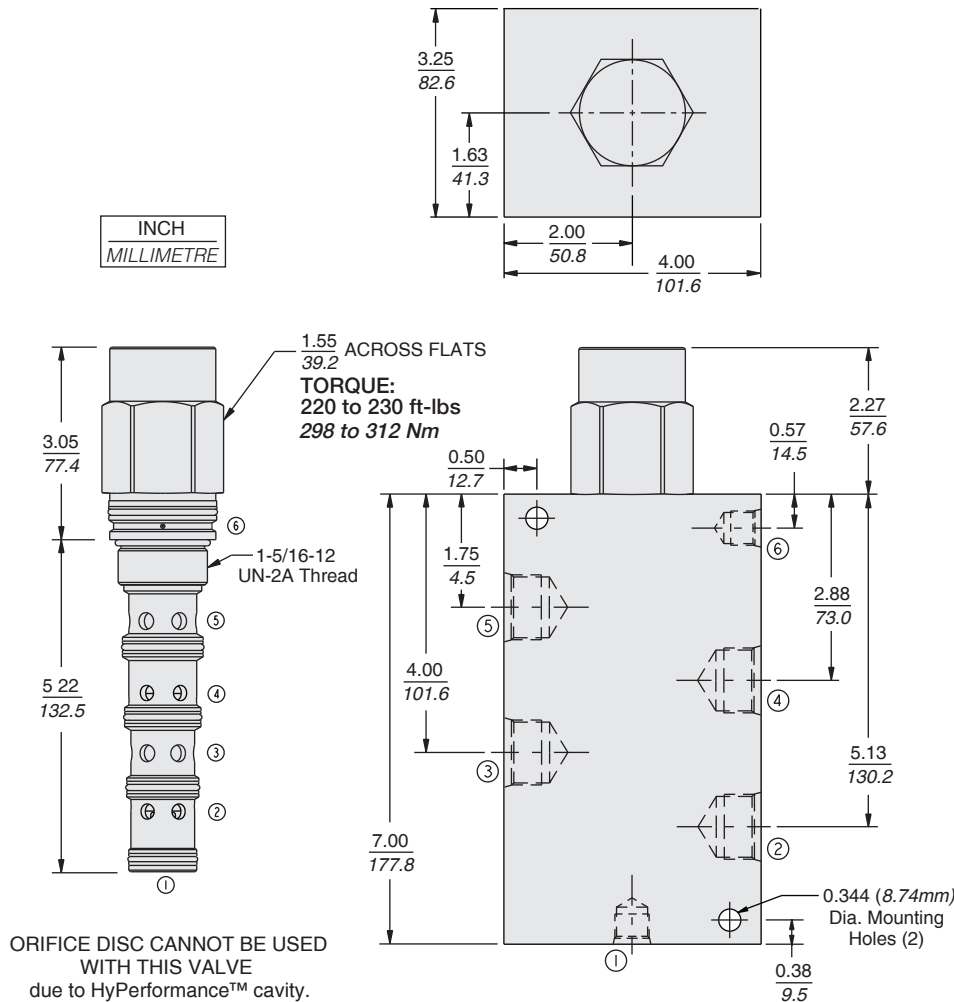
**PERFORMANCE (Cartridge Only)**



# Spool-Type Valve

# HPD16-S67C

## DIMENSIONS



## MATERIALS

**Cartridge:** Weight: 1.0 kg. (2.2 lbs.)  
Steel with hardened work surfaces.  
Zinc-plated exposed surfaces.  
Buna N O-rings and polyester elastomer back-ups standard.

**Ported Body:** Weight: 9.13 kg (20.14 lbs.) HyPerformance™ Ductile iron (code 'D') standard. Rated to 345 bar (5000 psi). See page 8.016.1.

## TO ORDER

HPD16-S67C -

**Porting**  
Cartridge Only 0  
SAE 16 16TD  
1" BSP 8BD

**Bias Spring**  
110 7.6 bar (110 psi)  
170 11.7 bar (170 psi)

**Seals**  
**U** PPDI Urethane  
**US** PPDI Urethane with sealed spools

**Note:** PPDI Urethane seals are recommended for pressures over 241 bar (3500 psi).

**Note:** Consult factory for additional seal options.