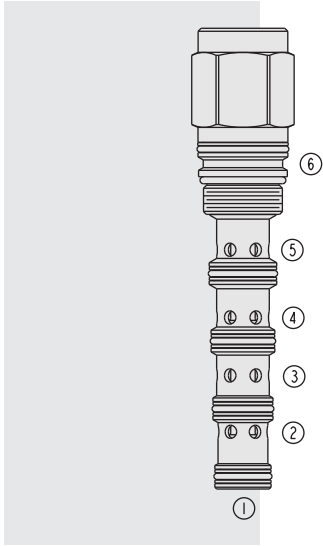


# DIRECTIONAL VALVES

## PD16-S67C Piloted 4-Way Spool-Type Valve



### DESCRIPTION

A screw-in, cartridge-style, pilot-operated, spool-type, hydraulic directional valve.

### OPERATION

When the PD16-S67C is in neutral position, all ports are blocked. On remote pilot signal at ①, the valve shifts to allow flow between ③ and ④, and between ② and ⑤. On remote pilot signal at ⑥, the valve shifts to allow flow between ③ and ②, and between ④ and ⑤.

### FEATURES

- Hardened spool and cage for long life.
- 110 and 170 psi bias springs available.

### RATINGS

**Operating Pressure:** 240 bar (3500 psi)

**Flow:** 0–94.6 lpm (0–25 gpm); See Performance Chart

**Maximum Internal Leakage:** at 207 bar (3000 psi): 164 ml/minute (10 cu. in./minute)

**Temperature:** -40 to 120°C

**Filtration:** See page 9.010.1

**Fluids:** Mineral-based or synthetics with lubricating properties at viscosities of 7.4 to 420 cSt (50 to 2000 sus); See Temperature and Oil Viscosity, page 9.060.1

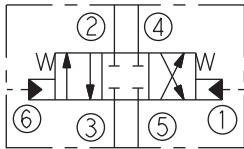
**Installation:** No restrictions; See page 9.020.1

**Cavity:** VC16-S6; See page 9.116.1

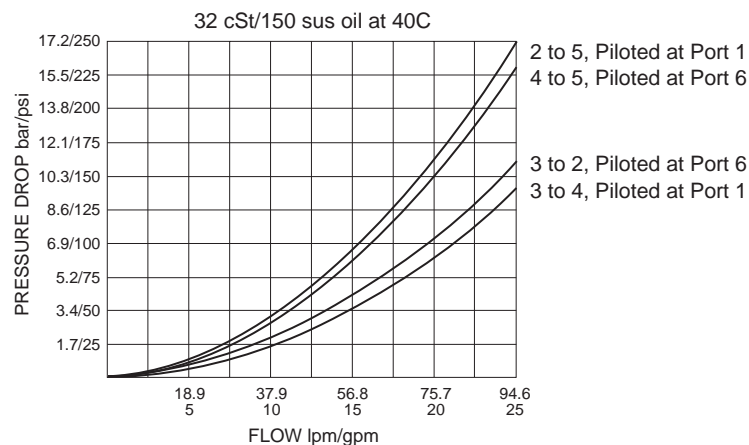
**Cavity Tool:** CT16-S6XX; See page 8.600.1

**Seal Kit:** SK16-S6X-BMMMM; See page 8.650.1

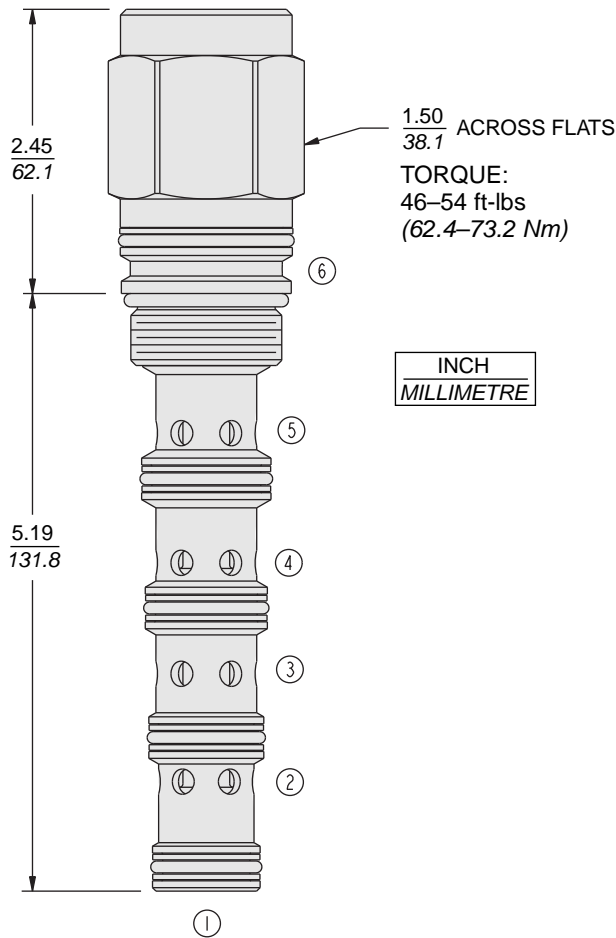
### SYMBOL



### PERFORMANCE (Cartridge Only)



**DIMENSIONS**



**MATERIALS**

**Cartridge:** Weight: 0.85 kg. (1.88 lbs.)  
 Steel with hardened work surfaces.  
 Zinc-plated exposed surfaces.  
 Buna N O-rings and polyester elastomer back-ups standard.

**Ported Body:** Consult factory.

**TO ORDER**

PD16-S67C - - -

**Porting**  
 Cartridge Only 0

**Bias Spring<sup>†</sup>**  
 110 7.6 bar (110 psi)  
 170 11.7 bar (170 psi)  
 Optional bias springs considered on OEM request.

**Seals**  
 N Buna N (Std.)  
 V Fluorocarbon  
 P Polyurethane