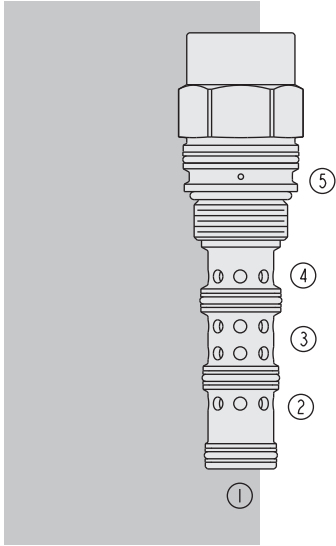


HPD16-S51 HyPerformance™ Piloted 3-Way Spool



DESCRIPTION

A screw-in, cartridge-style, pilot-operated, spool-type, hydraulic directional valve for use in high pressure applications.

OPERATION

When in neutral the **HPD16-S51** allows flow between ports 2, 3 and 4. On remote pilot signal at 1, the valve's spool shifts to block all ports. The spring chamber is vented to the tank through port 5. The vented spring chamber allows the valve to be fully pressurized at ports 1, 2, 3, and 4 without affecting required pilot pressure. Pressure at port 5 will increase the required pilot pressure at a 1:1 ratio.

FEATURES

- Hardened spool and cage for long life.
- All HyPerformance™ products are tested to the rigorous standards of the NFPA specification T2.6.1.
- All HyPerformance™ valves are tested at a verification level of 90% and an assurance of 99%.

RATINGS

Operating Pressure: 350 bar (5075 psi); 10% cycle life: 420 bar (6090 psi)

Note: All HyPerformance™ products are tested for 900K cycles at 350 bar and 100K at 420 bar.

Proof Pressure: 690 bar (10000 psi)

Burst Pressure: 1380 bar (20000 psi)

Flow: Up to 151 lpm (40 gpm) with PPD1 urethane seals and no flow restriction; up to 151 lpm (40 gpm) with seals spool between ports 1 and 2 and restricted flow between ports 2 and 3 and 3 and 4 up to 95 lpm (25 gpm) maximum.

Internal Leakage: 350 bar (5075 psi) at 32 cSt. Ports 3 to 4: 492 ml/min (30 cu.in./min); Ports 3 to 2: 655 ml/min (40 cu.in./min); Pilot Pressure: 350 bar (5075 psi).

Operating Temperature: -54 to 107°C (-65 to 225°F) with PPD1 urethane seals

Filtration: See page 9.010.1

Fluids: Mineral-based or synthetics with lubricating properties at viscosities of 7.4 to 420 cSt (50 to 2000 sus); See Temperature and Oil Viscosity, page 9.060.1

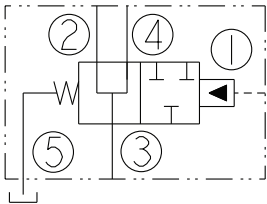
Installation: No restrictions; See page 9.020.1

Cavity: HVC16-S5; See page 9.116.1

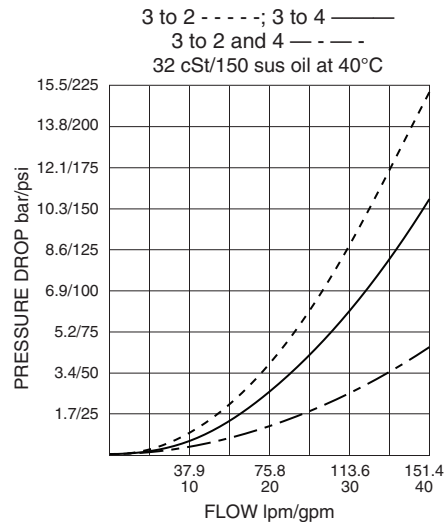
Cavity Tool: HCT16-5XX; See page 8.600.1

Seal Kit: HSK16-S5U-0000 (Urethane); See page 8.650.1

ISO SYMBOL



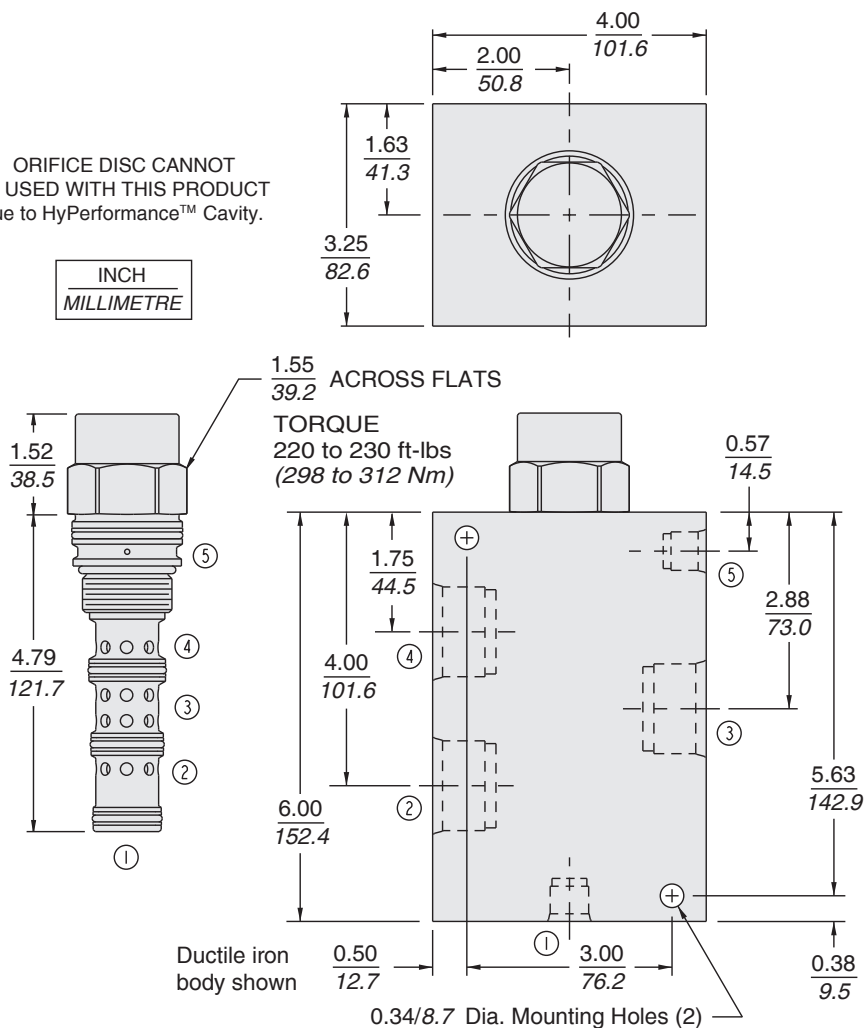
PERFORMANCE (Cartridge Only)



DIMENSIONS

ORIFICE DISC CANNOT BE USED WITH THIS PRODUCT due to HyPerformance™ Cavity.

INCH
MILLIMETRE



MATERIALS

Cartridge: Weight: 0.80 kg. (1.75 lbs.)
Steel with hardened work surfaces.
Zinc-plated exposed surfaces.
PPDI Urethane seals without back-up rings standard.

Ported Body: Weight: 8.09 kg (17.79 lbs) HyPerformance™
Ductile iron (code 'D') standard.
Rated to 345 bar (5000 psi).
See page 8.016.1.

TO ORDER

HPD16-S51 -

Porting
Cartridge Only 0
3/4" BSP 6BD
1" BSP 8BD
SAE12 12TD
SAE 16 16 TD

Bias Spring
150 10.3 bar (150 psi)
Optional bias springs considered on OEM request.

Seals
U PPDI Urethane
US Sealed spool between ports 1 and 2

Note: Consult factory for additional seal options.