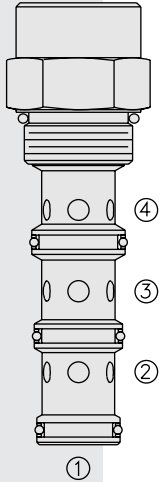


# DIRECTIONAL VALVES

## PD16-44 Piloted 2-Way Spool



### DESCRIPTION

A screw-in, cartridge-style, pilot-operated, spool-type, hydraulic directional valve for three-way circuits requiring remote pilot actuation.

### OPERATION

In neutral (unpiloted), the **PD16-44** blocks flow from ③ to ② bidirectionally. The spring chamber is directed to port ④, which is internally O-ring sealed from the cartridge flow paths.

On remote pilot signal at ①, the valve shifts to open from ② to ③, bidirectionally. Any pressure on port ④ is added to the spring value.

### FEATURES

- Hardened spool and cage for long life.
- Optional sealed pilot.
- Industry common cavity.

### RATINGS

**Operating Pressure:** 240 bar (3500 psi)

**Flow:** See Performance Chart

**Internal Leakage:** 164 cc/minute (10 cu. in./minute) max. at 207 bar (3000 psi)

**Pilot Pressure Required:**

To Spool Crossover: 7.6 bar (110 psi) with 110 psi bias spring

To Full Spool Shift: 9.0 bar (130 psi) with 110 psi bias spring

**Oil Volume Required to Full Shift:** 2.5 cc (0.15 cu. in.)

**Temperature:** -40 to 120°C with standard Buna seals

**Filtration:** See page 9.010.1

**Fluids:** Mineral-based or synthetics with lubricating properties at viscosities of 7.4 to 420 cSt (50 to 2000 sus); See Temperature and Oil Viscosity, page 9.060.1

**Installation:** No restrictions; See page 9.020.1

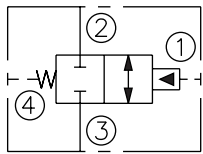
**Cavity:** VC16-4; See page 9.116.1

**Cavity Tool:** CT16-4XX; See page 8.600.1

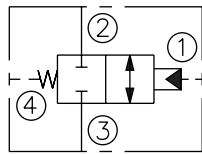
**Seal Kit:** SK16-4X-MMM; See page 8.650.1

### SYMBOLS

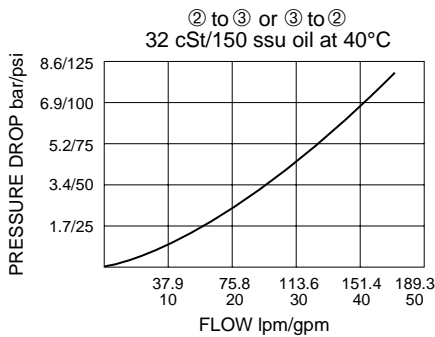
#### USASI:



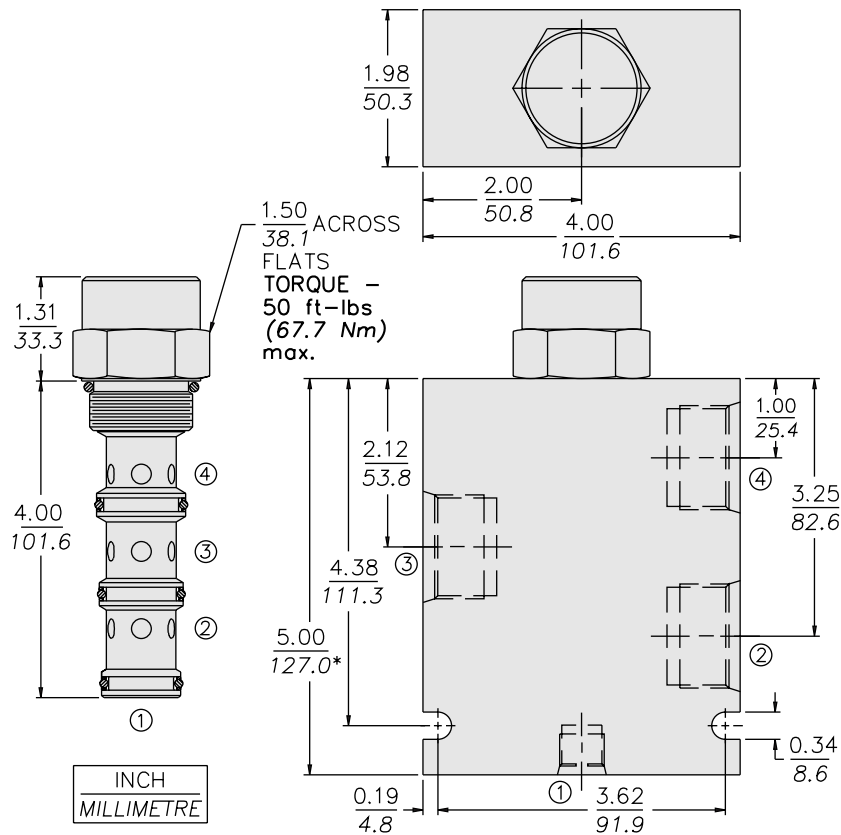
#### ISO:



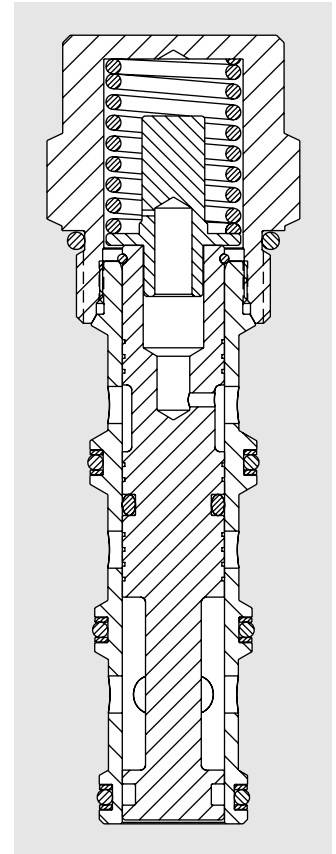
### PERFORMANCE (Cartridge Only)



## DIMENSIONS



\* BSP BODY - 134.9



## MATERIALS

**Cartridge:** Weight: 0.52 kg. (1.15 lbs.)  
Steel with hardened work surfaces.  
Zinc-plated exposed surfaces.  
Buna N O-rings and polyester  
elastomer back-ups standard.

**Standard Ported Body:** Weight:  
1.5 kg. (3.3 lbs.) Anodized high-  
strength 6061 T6 aluminum alloy,  
rated to 207 bar (3000 psi). Ductile  
iron bodies available; dimensions  
may differ. See page 8.016.1

## TO ORDER

PD16-44 - - -

**Porting**  
Cartridge Only **0**  
SAE 12, SAE 6 Pilot **12T**  
SAE 16, SAE 6 Pilot **16T**

### Bias Spring

**110** 7.6 bar (110 psi)  
**170** 11.7 bar (170 psi)

Optional bias springs considered  
on OEM request.

### Seals

**N** Buna N (Std.)  
**NS** Buna N with Sealed Spool  
**V** Fluorocarbon  
**VS** Fluorocarbon with Sealed Spool