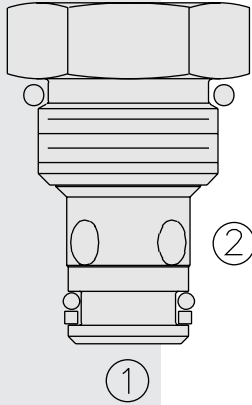


DIRECTIONAL VALVES

CV08-21 Check Valve



DESCRIPTION

A screw-in, cartridge-style, hydraulic check valve for use as a blocking or load-holding device.

OPERATION

The **CV08-21** allows flow passage from ② to ①, while normally blocking oil flow in the opposite direction.

The cartridge has a fully guided poppet which is spring-biased closed until sufficient pressure is applied at ② to open to ①.

FEATURES

- Hardened seat for long life and low leakage.
- Fully guided poppet.
- Compact size.

RATINGS

Operating Pressure: 240 bar (3500 psi)

Flow: See Performance Chart

Internal Leakage: 0.25 cc/minute (5 drops/minute) max. at 240 bar (3500 psi)

Crack Pressure Defined: Gauge bar (psi) evident at ② at 16.4 cc/minute (1 cu. in./minute) attained

Standard Bias Spring at Crack: 2.1 bar (30 psi) nominal. Actual cracking pressure may vary from 1.9 to 2.8 bar (27 to 40 psi); valves which are not actuated for a period of time may initially crack at higher than subsequent cracking pressures.

Temperature: -40 to 120°C

Filtration: See page 9.010.1

Fluids: Mineral-based or synthetics with lubricating properties at viscosities of 7.4 to 420 cSt (50 to 2000 sus); See Temperature and Oil Viscosity, page 9.060.1

Installation: No restrictions; See page 9.020.1

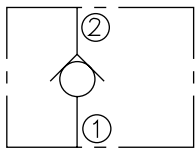
Cavity: VC08-2; See page 9.108.1

Cavity Tool: CT08-2XX; See page 8.600.1

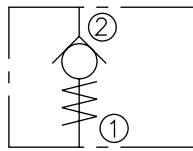
Seal Kit: SK08-2X-B; See page 8.650.1

SYMBOLS

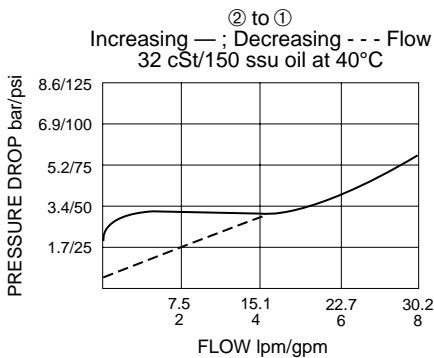
USASI:



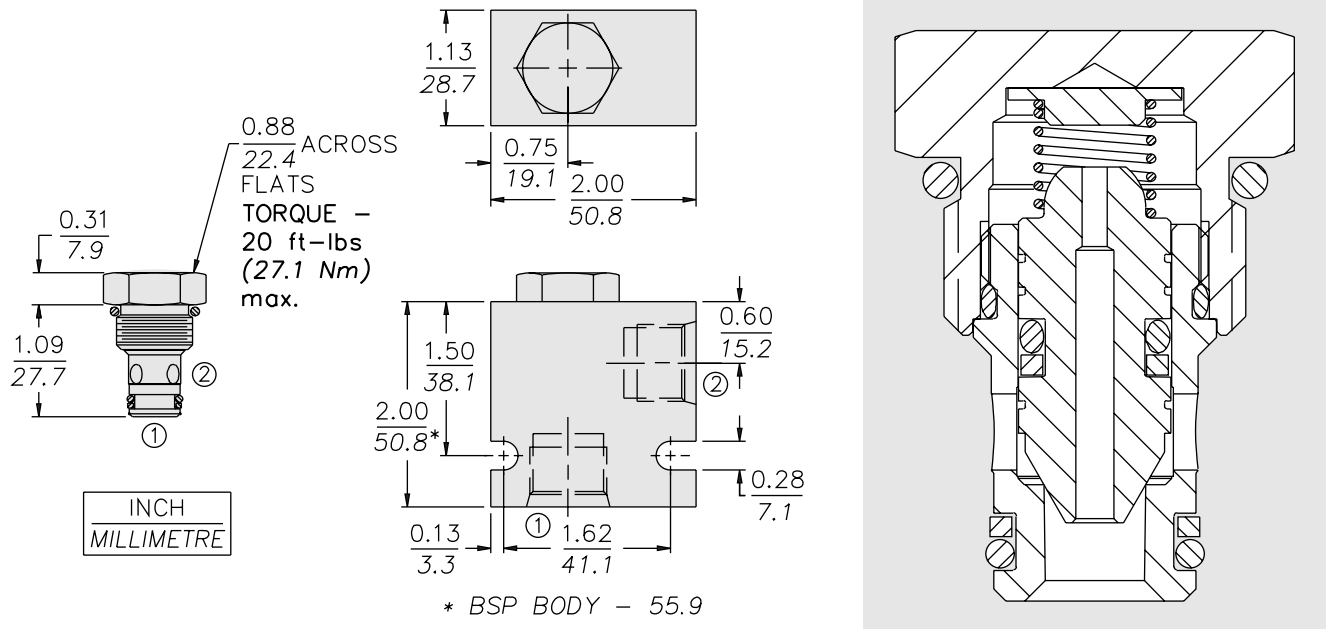
ISO:



PERFORMANCE (Cartridge Only)



DIMENSIONS



MATERIALS

Cartridge: Weight: 0.05 kg. (0.12 lbs.)
Steel with hardened work surfaces.
Zinc-plated exposed surfaces.
Buna N O-rings and back-up
standard.

Standard Ported Body: Weight:
0.16 kg. (0.35 lbs.) Anodized high-
strength 6061 T6 aluminum alloy,
rated to 207 bar (3000 psi). Ductile
iron bodies available; dimensions
may differ. See page 8.008.1

TO ORDER

