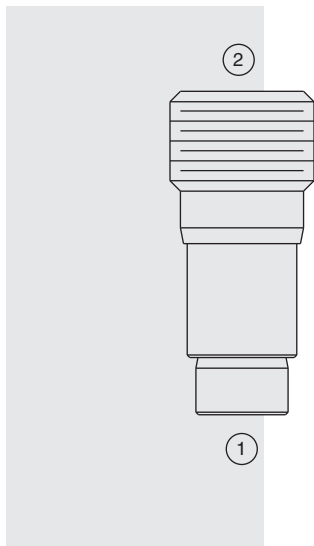


DIRECTIONAL VALVES

CV06-B21 Check Valve



DESCRIPTION

A screw-in, cartridge-style, hydraulic check valve for blocking or load-holding.

OPERATION

The **CV06-B21** allows flow from ② to ①, while normally blocking flow in the opposite direction. The cartridge is spring-biased closed until sufficient pressure is applied at ② to open to ①.

FEATURES

- Hardened seat for long life and low leakage.
- Fully guided check assembly.
- Small size.
- Fast closing and seating.

RATINGS

Operating Pressure: 345 bar (5000 psi)

Proof Pressure: 690 bar (10,000 psi)

Burst Pressure: greater than 828 bar (12,000 psi)

Flow: up to 7.6 lpm (2 gpm)

Internal Leakage: 0.10 cc/minute (2 drops/minute) max. at 34.5 bar (500 psi) and 345 bar (5000 psi) from port 1, port 2, inlet

Operating Temperature: -54°C to 107°C (-65°F to 225°F)

Filtration: Recommend 25µ nominal or better; See page 9.010.1

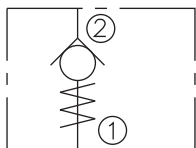
Fluids: Mineral-based or synthetics with lubricating properties at viscosities of 7.4 to 420 cSt (50 to 2000 sus); See Temperature and Oil Viscosity, page 9.060.1

Installation: No restrictions

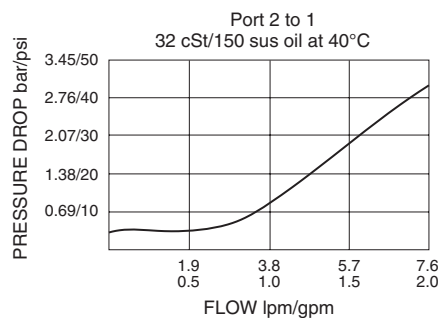
Cavity: VC06-B2; See page 9.106.1

Cavity Tool: CT06-B2xx; See page 8.600.1

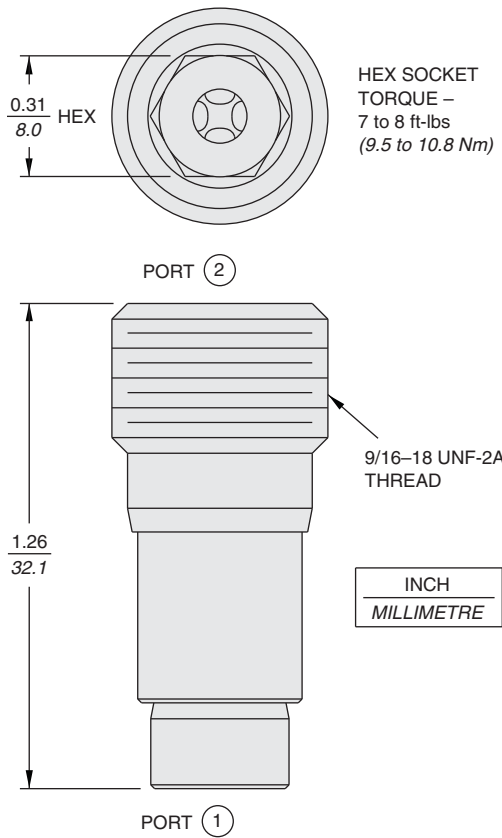
SYMBOL



PERFORMANCE (Cartridge Only)



DIMENSIONS



MATERIALS

Cartridge: Weight: 0.023 kg. (0.05 lbs.)
Steel with hardened work surfaces.
Zinc-plated exposed surfaces.

TO ORDER

