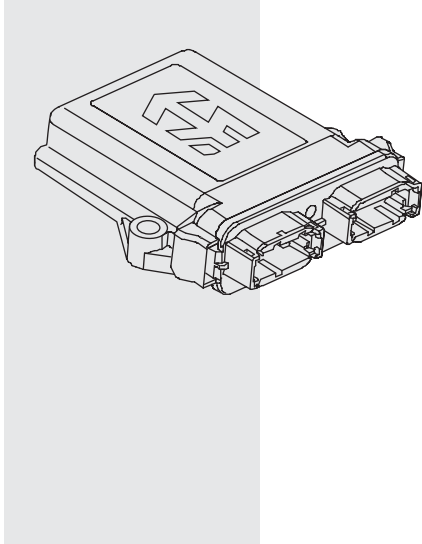


# EVDR10 Ten Analog Input Module with J1939



**FEATURES**

- Microprocessor based control (standard software or OEM software on request).
- Standard hardware and software adapts to many applications.
- Robust 8 to 96VDC power supply interface with reverse polarity protection.
- Thermal overload and overvoltage protection provided.
- Rugged IP67-rated packaging with IP69K-rated plug-in connections.
- Operational from -40 to 85°C (-40 to 185°F).
- CAN for networking capability, user configuration and diagnostics.

**DESCRIPTION**

The EVDR10 Analog Module measures up to 10 inputs and sends the data over a CAN network. The 10 inputs can be configured for 0 to 5VDC, 0(4) to 20 mA, PWM/Frequency/Counter, and Digital (High). CAN bus communications offer control system networking capability and is used for configuration.

This versatile, multi-function module is suitable for a wide range of heavy duty industrial, marine, and mobile off-highway equipment applications, such as transmission controls, vehicle traction controls, and drive-by-wire control systems.

**RATINGS**

**POWER REQUIREMENTS:**

Power Required: 8 to 96 VDC  
 Operating Current: 0.35 amps maximum, typically less than 2W  
 Non-Destructive Voltage: -32 to +96 VDC

**PROCESSING and MEMORY:**

Motorola Microprocessor: DSP56F8346  
 Flash ROM: 128 KByte  
 SRAM: 4 KByte  
 EEPROM: 8 KBytes

**All input and output characteristics are configurable with ACP (Application Configuration Programmer).**

**COMMUNICATION I/O:**

CAN J1939 — Standard  
 CANopen — Consult Factory

**Inputs, 10 configurable:**

Type	Range	Accuracy
Voltage	0 to 5 VDC	±7mV
Current	0(4) to 20mA	±0.1mA
PWM	0 to 100%, 50Hz to 10KHz, 96Vp-p	±2.0%
RPM	0 to 100%, 50Hz to 10KHz, 96Vp-p	±0.3%
Counter	0 to 96 VDC, 10KHz	—
Digital	0 to 96 VDC, 10KHz	—

**ENVIRONMENTAL RATINGS:**

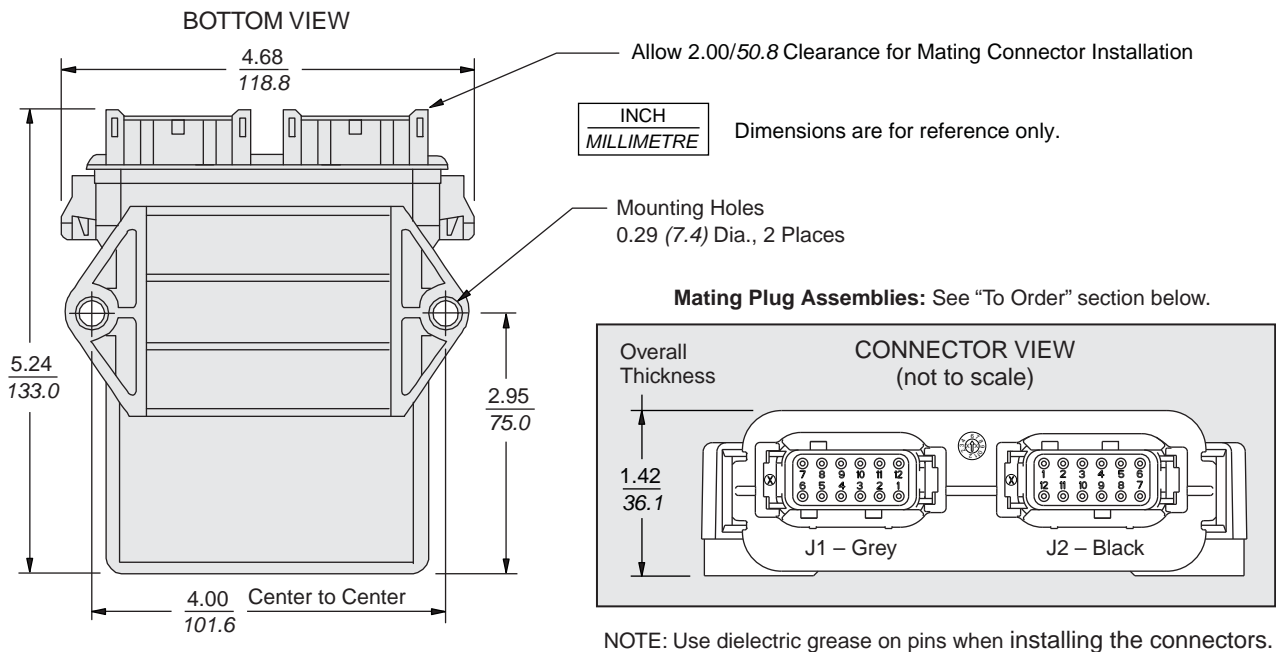
Operating Temperature Range: -40°C to +85°C  
 Storage Temperature Range: -50°C to 125°C  
 Humidity Tolerance: 115% of nominal system voltage at 90% relative humidity over operating temperature range  
 Salt Spray Tolerance: 115% of nominal system voltage with 5% salt spray for 48 hours at 35°C  
 Vibration (Shock-isolated components): 7.4 Grms random vibration from 24 Hz to 2 KHz in three orthogonal planes  
 Moisture Leakage (sealant pressure tolerance): ±0.35 bar (5 psi) against water and water vapor; immersion resistant in 3 ft. (1 meter) of water; meets IP67 standards.  
 Radiated Immunity: 10 V/M; 80 MHz to 1.0 GHz  
 Electrostatic Environment: Zero damage during exposure to electrostatic painting process (IEC 61000-4-2)

**Materials:**

Housing: Thermoplastic with silicone elastomer seals.  
 Contacts: Tin-plated copper alloy.

# EVDR10 Ten Analog Input Module with J1939

## DIMENSIONS



## PINOUT

### Connector J1 – Grey

Pin	Function
1	Ground 5
2	Ground 4
3	Ground 3
4	Ground 2
5	Ground 1
6	BATT –
7	BATT +
8	Input 1
9	Input 2
10	Input 3
11	Input 4
12	Input 5

### Connector J2 – Black

Pin	Function
1	Input 6
2	Input 7
3	Input 8
4	Input 9
5	Input 10
6	CAN HI
7	CAN LO
8	Ground 10
9	Ground 9
10	Ground 8
11	Ground 7
12	Ground 6

## TO ORDER

**Controller** Model EVDR10; Part No. 4000252

**Connector Kits:** J1, DTM06-12A Kit, Grey: 4001976  
J2, DTM06-12B Kit, Black: 4001977

### Configuration Kit

Includes Converter, Cable and Software: 4000250

**CAN Flashing Cable:** Part No. 4000697