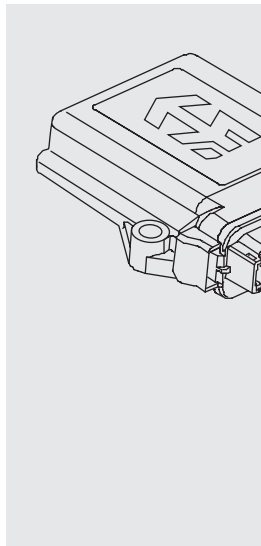


# EVDR9 Nine-Valve Driver with CAN Input



### FEATURES

- Microprocessor based control (standard software or OEM software on request).
- Standard hardware and software adapts to many applications.
- Robust 8 to 80VDC power supply interface with reverse polarity protection.
- Thermal overload and overvoltage protection provided.
- Rugged IP67-rated packaging with IP69K-rated plug-in connections.
- Operational from -40 to 85°C (-40 to 185°F).
- CAN for networking capability, user configuration and diagnostics.

### DESCRIPTION

The EVDR9 valve driver provides precise, repeatable control of nine proportional solenoid valve coils. CAN bus communications offer control system networking capability and user configuration.

This versatile, multi-function controller is suitable for a wide range of heavy duty industrial, marine, and mobile off-highway equipment applications, such as transmission controls, vehicle traction controls, and drive-by-wire control systems.

### RATINGS

#### POWER REQUIREMENTS:

Power Required: 8 to 80 VDC  
Operating Current: 8 amp maximum load  
Non-Destructive Voltage: -32 to +80 VDC

#### PROCESSING and MEMORY:

Motorola Microprocessor: MC56F8346  
Flash ROM: 128 KByte  
SRAM: 4 KByte  
EEPROM: 8 KBytes

**All input and output characteristics are configurable with ACP (Application Configuration Programmer).**

#### COMMUNICATION I/O:

CAN J1939 — Standard  
CANopen — Consult Factory

#### OUTPUTS:

PWM Driver, High Side (2A): 9;  
PWM Drivers can be configured for On/Off or Proportional

#### ENVIRONMENTAL RATINGS:

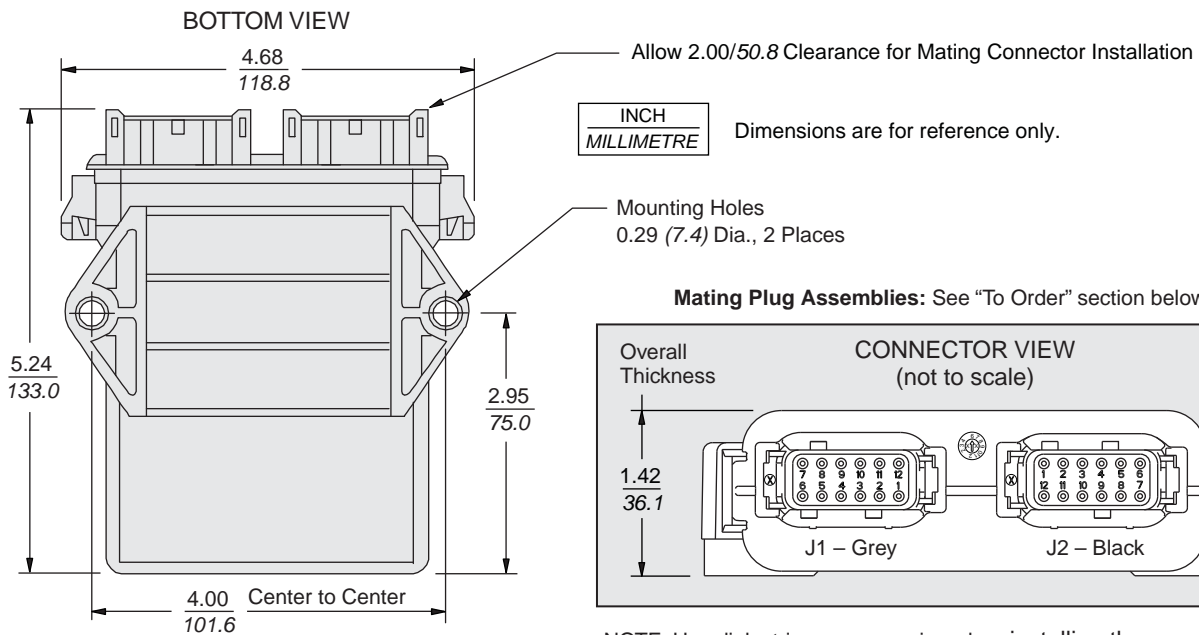
Operating Temperature Range: -40°C to +85°C  
Storage Temperature Range: -50°C to 125°C  
Humidity Tolerance: 115% of nominal system voltage at 90% relative humidity over operating temperature range  
Salt Spray Tolerance: 115% of nominal system voltage with 5% salt spray for 48 hours at 35°C  
Vibration (Shock-isolated components): 7.4 Grms random vibration from 24 Hz to 2 KHz in three orthogonal planes  
Moisture Leakage (sealant pressure tolerance): ±0.35 bar (5 psi) against water and water vapor; immersion resistant in 3 ft. (1 meter) of water; meets IP67 standards.  
Radiated Immunity: 10 V/M; 80 MHz to 1.0 GHz  
Electrostatic Environment: Zero damage during exposure to electrostatic painting process (IEC 61000-4-2)

#### Materials:

Housing: Thermoplastic with silicone elastomer seals.  
Contacts: Tin-plated copper alloy.

# EVDR9 Nine-Valve Driver with CAN Input

## DIMENSIONS



NOTE: Use dielectric grease on pins when installing the connectors.

## PINOUT

### Connector J1 – Grey

Pin	Function
1	Ground 5
2	Ground 4
3	Ground 3
4	Ground 2
5	Ground 1
6	BATT –
7	BATT +
8	Output 1
9	Output 2
10	Output 3
11	Output 4
12	Output 5

### Connector J2 – Black

Pin	Function
1	Output 6
2	Output 7
3	Output 8
4	Output 9
5	Factory Use
6	CAN HI
7	CAN LO
8	Factory Use
9	Ground 9
10	Ground 8
11	Ground 7
12	Ground 6

## TO ORDER

**Controller** Model EVDR9; Part No. 4000251

**Connector Kits:** J1, DTM06-12A Kit, Grey: 4001976  
J2, DTM06-12B Kit, Black: 4001977

### Configuration Kit

Includes Converter, Cable and Software: 4000250

**CAN Flashing Cable:** Part No. 4000697