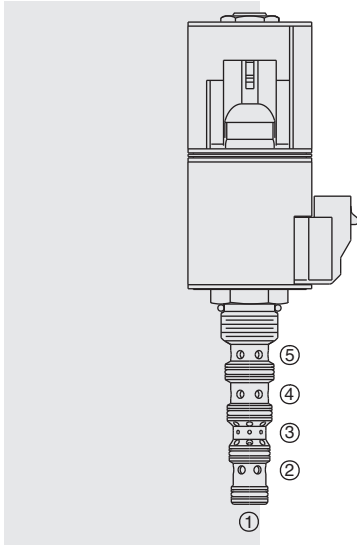


SV10-58C Spool, 5-Way, 3-Position . . .



DESCRIPTION

A solenoid-operated, five-way, three-position, direct acting, screw-in hydraulic cartridge valve with integral load-sense port. It has a closed center spool.

OPERATION

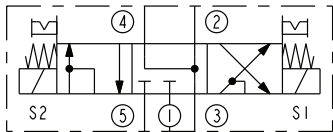
When de-energized, the SV10-58C blocks flow between all work ports and load sense at port 1 is vented to 3. When coil #1 is energized, flow is allowed from 5 to 2 and from 4 to 3. When coil #2 is energized, flow is allowed from 5 to 4 and from 2 to 3. Load sense at port 1 is connected to port 5 when spool is in the shifted positions.

FEATURES

- Continuous-duty rated solenoid.
- Hardened precision spool and cage for long life.
- Optional coil voltages and terminations.
- Optional waterproof E-Coils rated up to IP69K.
- Optional manual override.
- Efficient wet-armature construction.
- Cartridges are voltage interchangeable.
- Unitized, molded coil design.

ISO SYMBOL

USASI:



RATINGS

Operating Pressure: 250 bar (3625 psi) with standard Buna N seals

Flow: 30.3 lpm (8 gpm) maximum; see performance charts

Internal Leakage: 197 cc/minute (12 cu. in./minute) max. at 207 bar (3000 psi)

Temperature: -40 to 120°C with standard Buna seals

Coil Duty Rating: Continuous from 85% to 115% of nominal voltage

Initial Coil Current Draw at 20° C: Standard Coil: 1.67 amps at 12 VDC; 0.18 amps at 115 VAC (full wave rectified). E-Coil: 1.6 amps at 12 VDC; 0.8 amps at 24 VDC

Minimum Pull-in Voltage: 85% of nominal at 207 bar (3000 psi)

Filtration: See page 9.010.1

Fluids: Mineral-based or synthetics with lubricating properties at viscosities of 7.4 to 420 cSt (50 to 2000 sus); See Temperature and Oil Viscosity, page 9.060.1

Installation: No restrictions; See page 9.020.1

Cavity: VC10-5; See page 9.110.1

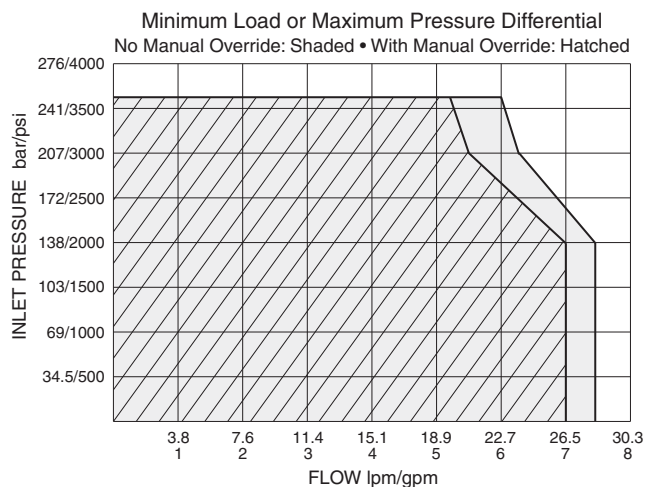
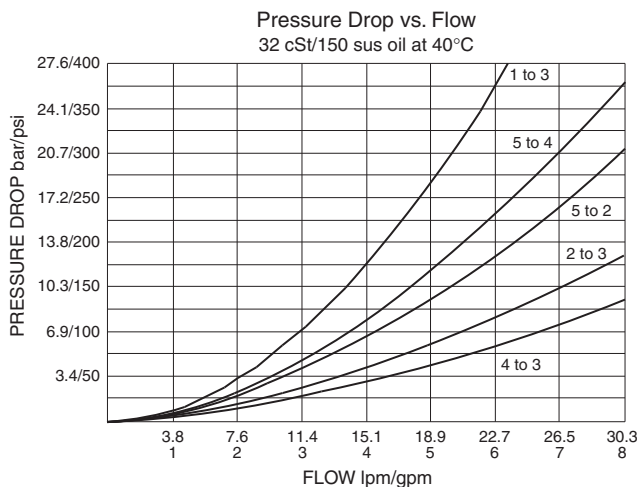
Cavity Tool: CT10-5XX; See page 8.600.1

Seal Kit: SK10-5X-MMMM; See page 8.650.1

Coil Nut: Part No. 7004400;

Coil Spacer: Std. D-Coil Spacer Part No. 7000280; E-Coil Spacer Part No. 4539700; If cartridge is ordered "Less Coil," D-Coil spacer will be provided unless an E is specified in the Coil Termination To Order section.

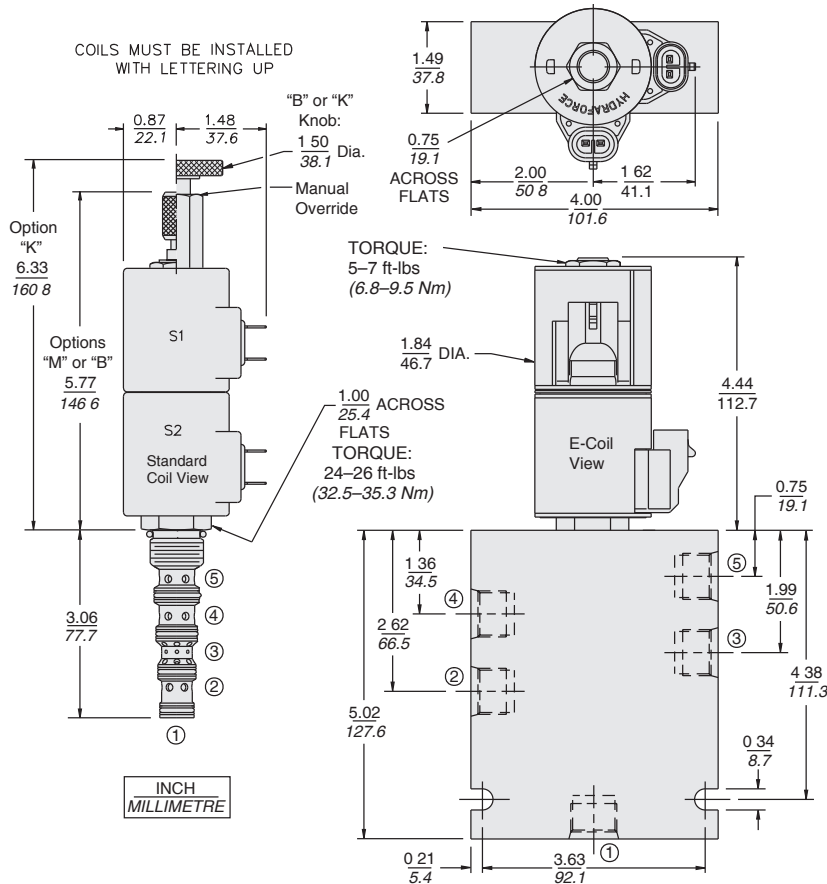
PERFORMANCE (Cartridge Only)



for Load Sense Applications

SV10-58C

DIMENSIONS



MATERIALS

Cartridge: Weight: 0.35 kg. (0.76 lbs.); Steel with hardened work surfaces. Zinc-plated exposed surfaces; Buna N O-rings and back-ups standard.

Standard Ported Body: Weight: 0.41 kg. (0.85 lbs.); Anodized high-strength 6061 T6 aluminum alloy, rated to 207 bar (3000 psi); Ductile iron bodies available; dimensions may differ. See page 8.010.1.

Standard Coil: Weight each: 0.27 kg. (0.60 lbs.); Unitized thermoplastic encapsulated, Class H high temperature magnetwire. See page 3.200.1

E-Coil: Weight: 0.41 kg. (0.9 lbs.); Perfect wound, fully encapsulated with rugged external metal shell; Rated up to IP69K with integral connectors. See page 3.400.1

TO ORDER

SV10-58C

Option	Voltage	Coil Termination	E-Coil	D-Coil
None (Blank)	Std. Coil	Less Coil**	E	—
Manual Override B	10 10 VDC†	Deutsch DT04-2P	ER (IP69K)	DR (IP65)
Manual Override M	12 12 VDC	Metri-Pack® 150	EY (IP69K)	DY (IP65)
Manual Override K	24 24 VDC	Dual Lead Wires	EL (IP69K)	DL (IP65)
For Manual Override options see page 1.001.1	36 36 VDC	Amp Jr. Timer	EJ (IP67)	—
	48 48 VDC	DIN 43650	EG (IP65)	DG (IP65)
	24 24 VAC	Dual Spades	—	DS (IP65)
	115 115 VAC			
Porting	230 230 VAC			
Cartridge Only 0	**Includes D-Coil Nut and Spacer.			
SAE 6 6T	† DS, DW or DL terminations only.			
SAE 8 8T				
Seals	E-Coil			
Buna N (Std.) N	10 10 VDC			
Fluorocarbon V	12 12 VDC			
	20 20 VDC			
	24 24 VDC			

For Coils with Zener Diode, add "Z" to option code. For example: "ERZ". Not available on all models. See coil option info. on pages 3.200.1 & 3.400.1