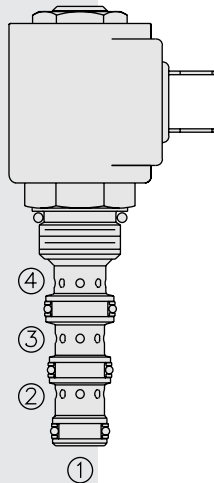


SOLENOID VALVES

SV08-46 Spool, 4-Way, 2-Position



DESCRIPTION

A solenoid-operated, four-way, two-position, direct-acting, spool-type, screw-in hydraulic cartridge valve.

OPERATION

When de-energized, the **SV08-46** allows flow from ① to ④, and from ③ to ②.

When energized, the spool shifts to allow flow between ②, ① and ④, while blocking flow at ③.

Operation of Manual Override Option: To override, push button in and twist counterclockwise 180°. The internal spring will push the button out. In this position, the valve may be only partially shifted. To assure full override shift, pull the button out to its fullest extension and hold it in this position.

To return to normal valve function, push button in, twist clockwise 180°, and release. Override will be detented in this position.

FEATURES

- Continuous-duty rated solenoid.
- Hardened precision spool and cage for long life.
- Optional coil voltages and terminations.
- Efficient wet-armature construction.
- All ports may be fully pressurized.
- Cartridges are voltage interchangeable.
- Manual override option.
- Optional waterproof E-Coils rated up to IP69K.
- Unitized, molded coil design.
- Compact size.

RATINGS

Operating Pressure: 207 bar (3000 psi)

Flow: See Performance Chart

Internal Leakage: 82 cc/minute (5 cu. in./minute) max. at 207 bar (3000 psi)

Temperature: -40 to 120°C with standard Buna seals

Coil Duty Rating: Continuous from 85% to 115% of nominal voltage

Initial Coil Current Draw at 20°C: Standard Coil: 1.2 amps at 12 VDC;

0.13 amps at 115 VAC (full wave rectified).

E-Coil: 1.4 amps at 12 VDC; 0.7 amps at 24 VDC

Minimum Pull-in Voltage: 85% of nominal at 207 bar (3000 psi)

Filtration: See page 9.010.1

Fluids: Mineral-based or synthetics with lubricating properties at viscosities of

7.4 to 420 cSt (50 to 2000 sus); See Temperature and Oil Viscosity, page 9.060.1

Installation: No restrictions; See page 9.020.1

Cavity: VC08-4; See page 9.108.1

Cavity Tool: CT08-4XX; See page 8.600.1

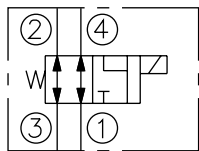
Seal Kit: SK08-4X-MMM; See page 8.650.1

Coil Nut: Part No. 7004400;

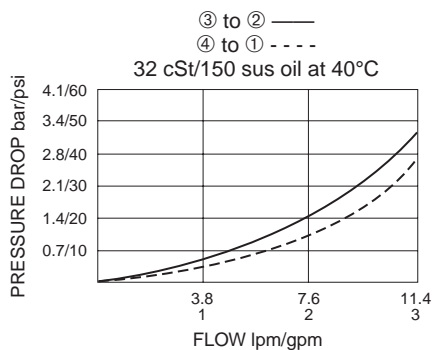
For E-coils manufactured prior to 1-1-04, see page 3.400.1 for coil nut info.

SYMBOLS

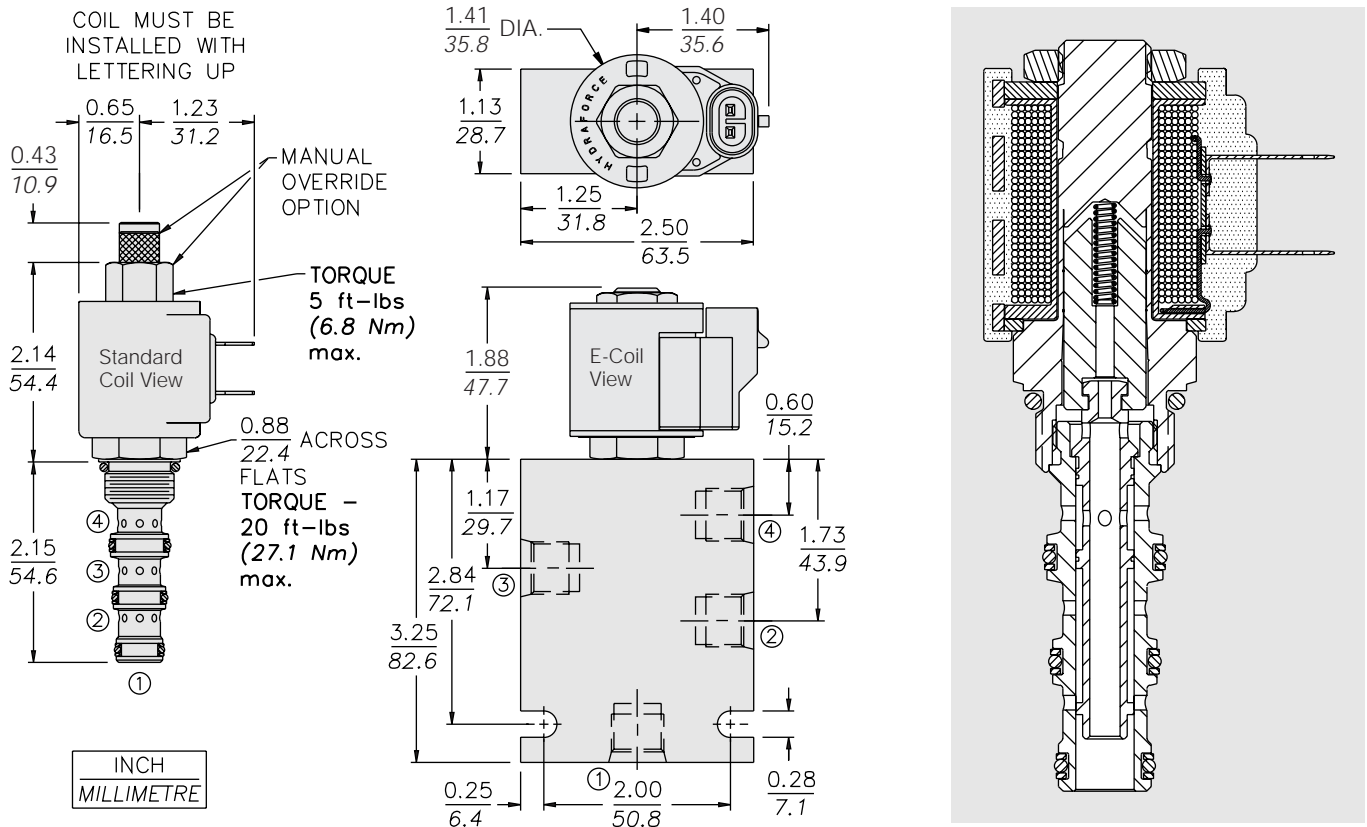
USASI/ISO:



PERFORMANCE (Cartridge Only)



DIMENSIONS



MATERIALS

Cartridge: Weight: 0.13 kg. (0.28 lbs.); Steel with hardened work surfaces. Zinc-plated exposed surfaces; Buna N O-rings and back-ups standard.

Standard Ported Body: Weight: 0.27 kg. (0.60 lbs.); Anodized high-strength 6061 T6 aluminum alloy, rated to 207 bar (3000 psi); Ductile iron bodies available; dimensions may differ. See page 8.008.1.

Standard Coil: Weight: 0.11 kg. (0.25 lbs.); Unitized thermoplastic encapsulated, Class H high temperature magnetwire. See page 3.200.1.

E-Coil: Weight: 0.14 kg. (0.3 lbs.); Perfect wound, fully encapsulated with rugged external metal shell; Rated up to IP69K with integral connectors.

See page 3.400.1 for all E-Coil retrofit applications.

TO ORDER

SV08-46		-	-	-	-	-
Option		Voltage		Termination (VDC)		
None (Blank)		Std. Coil		Std. Coil		
Manual Override M		0 Less Coil**		DS Dual Spades		
For Manual Override options see page 1.001.1		10 10 VDC†		DG DIN 43650		
		12 12 VDC		DL Leadwires (2)		
		24 24 VDC		DL/W Leads w/Weatherpak® Connectors		
		36 36 VDC		DR Deutsch DT04-2P		
		48 48 VDC		Termination (VAC)		
		24 24 VAC		Std. Coil		
		115 115 VAC		AG DIN 43650		
		230 230 VAC		AP 1/2 in. Conduit		
		**Includes Std. Coil Nut		Termination (VDC)		
		† DS, DW or DL terminations only.		E-Coil		
Porting		E-Coil		ER Deutsch DT04-2P (IP69K Rated)		
Cartridge Only 0		10 10 VDC		EY Metri-Pack® 150 (IP69K Rated)		
SAE 6 6T		12 12 VDC				
1/4 in. BSP* 2B		20 20 VDC				
3/8 in. BSP* 3B		24 24 VDC				
*BSP Body; U.K. Mfr. Only						
Seals						
Buna N (Std.) N						
Fluorocarbon V						

Coils with internal diode are available. Consult factory.