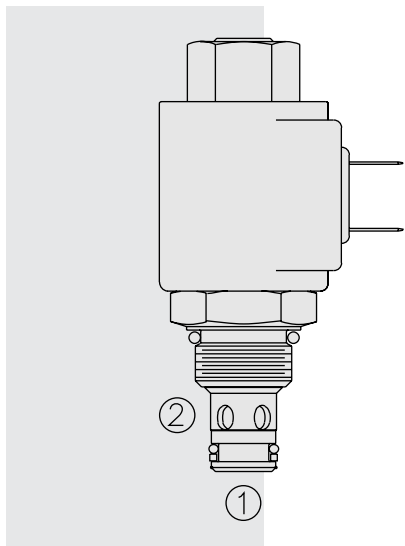


SOLENOID VALVES

SF08-23 Poppet, 2-Way, Normally Open



DESCRIPTION

A solenoid-operated, 2-way, normally open, poppet-type, screw-in hydraulic cartridge valve, designed to function as a load holding or blocking valve in applications requiring low internal leakage at high pressure.

OPERATION

When de-energized, the **SF08-23** poppet lifts to open from ② to ①. In this mode, flow is also allowed from ① to ②.

When energized, the cartridge acts as a check valve, blocking flow from ② to ① after overcoming the solenoid force (requires 3.4 to 10.3 bar / 50 to 150 psi).

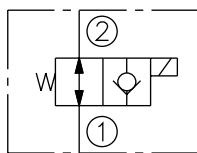
Operation of Manual Override Option: To override, push and hold override button.

FEATURES

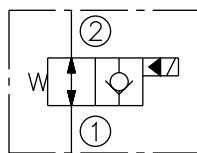
- Continuous-duty rated solenoid.
- Hardened seat for long life and low leakage.
- Optional coil voltages and terminations.
- Efficient wet-armature construction.
- Cartridges are voltage interchangeable.
- Unitized, molded coil design.
- Manual override option.
- Optional waterproof E-Coils rated up to IP69K.
- Industry common cavity.

SYMBOLS

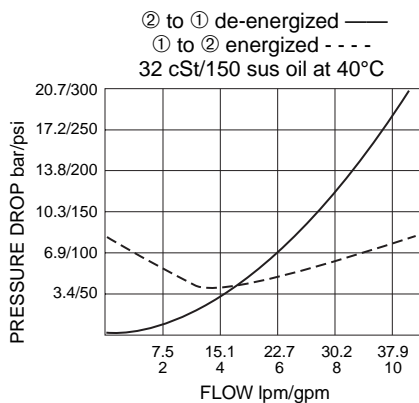
USASI:



ISO:



PERFORMANCE (Cartridge Only)



RATINGS

Operating Pressure: 345 bar (5000 psi)

Flow: See Performance Chart

Internal Leakage: 0.15 cc/minute (3 drops/minute) max. at 345 bar (5000 psi)

Temperature: -40 to 100°C with standard polyurethane seals

Coil Duty Rating: Continuous from 85% to 115% of nominal voltage

Initial Coil Current Draw at 20°C: Standard Coil: 1.2 amps at 12 VDC;

0.13 amps at 115 VAC (full wave rectified).

E-Coil: 1.4 amps at 12 VDC; 0.7 amps at 24 VDC

Minimum Pull-in Voltage: 85% of nominal at 345 bar (5000 psi)

Filtration: See page 9.010.1

Fluids: Mineral-based or synthetics with lubricating properties at viscosities of 7.4 to 420 cSt (50 to 2000 sus); See Temperature and Oil Viscosity, page 9.060.1

Installation: No restrictions; See page 9.020.1

Cavity: VC08-2; See page 9.108.1

Cavity Tool: CT08-2XX; See page 8.600.1

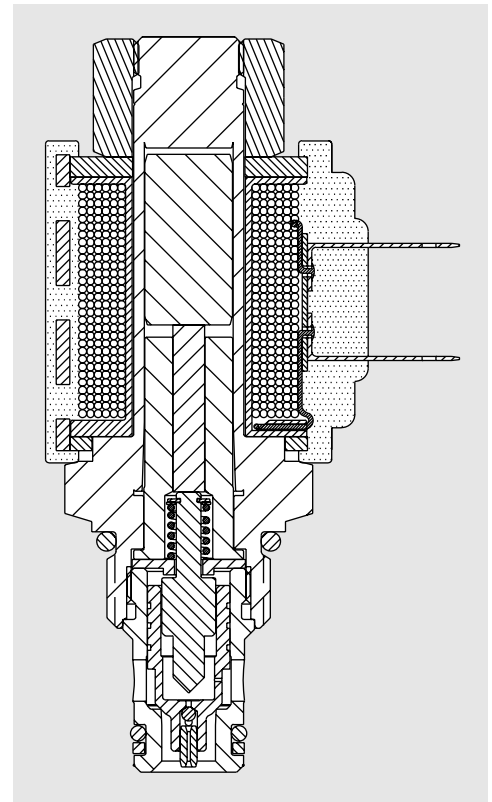
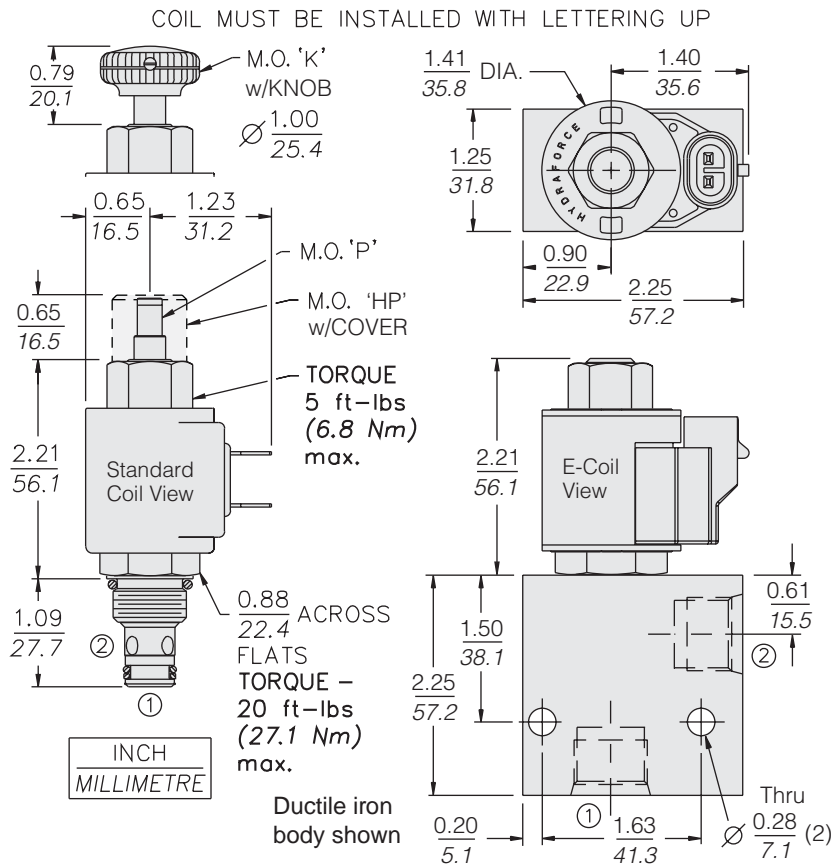
Seal Kit: SK08-2P-T; See page 8.650.1

Coil Nut: Part No. 7004410;

For E-coils manufactured prior to 1-1-04, see page 3.400.1 for coil nut info.

Note: This valve, the SF08-23, replaces the SV58-23 which is now obsolete. For more information consult factory.

DIMENSIONS



MATERIALS

Cartridge: Weight: 0.09 kg. (0.20 lbs.); Steel with hardened work surfaces. Zinc-plated exposed surfaces; Polyurethane cast O-rings and Fluorocarbon back-up standard.

Ported Body: Weight: 0.54 kg. (1.2 lbs.), Ductile iron standard; rated to 345 bar (5000 psi); See page 8.008.1.

Standard Coil: Weight: 0.11 kg. (0.25 lbs.); Unitized thermoplastic encapsulated, Class H high temperature magnetwire; See page 3.200.1.

E-Coil: Weight: 0.14 kg. (0.3 lbs.); Fully encapsulated with rugged external metal shell; Rated up to IP69K with integral connectors; **Note: See page 3.400.1 for all E-Coil retrofit applications.**

TO ORDER

SF08-23

Option		Voltage Std. Coil	Termination (VDC) Std. Coil
None (Blank)		0 Less Coil**	DS Dual Spades
152 μ Screen	S	10 10 VDC†	DG DIN 43650
Manual Override	P	12 12 VDC	DL Leadwires (2)
Manual Override with Cover	HP	24 24 VDC	DL/W Leads w/Weatherpak® Connectors
Manual Override with Knob	K	36 36 VDC	DR Deutsch DT04-2P
		48 48 VDC	Termination (VAC) Std. Coil
Porting		24 24 VAC	AG DIN 43650
Cartridge Only	0	115 115 VAC	AP 1/2 in. Conduit
SAE 6	6TD	230 230 VAC	Termination (VDC) E-Coil
SAE 8	8TD		ER Deutsch DT04-2P (IP69K Rated)
1/4 in. BSP*	2BD		EY Metri-Pack® 150 (IP69K Rated)
3/8 in. BSP*	3BD		
*BSP Body; U.K. Mfr. Only		E-Coil	
		10 10 VDC	
Seals		12 12 VDC	
Polyurethane (Std.)	P	20 20 VDC	
		24 24 VDC	

**Includes Std. Coil Nut
 † DS, DW or DL terminations only

Coils with internal diode are available. Consult factory.