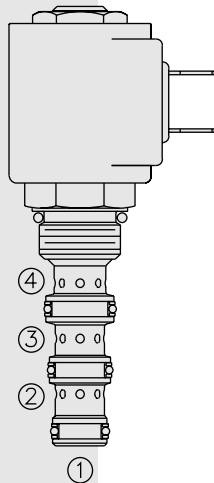


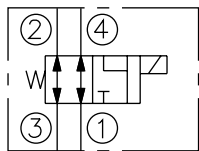
SOLENOID VALVES

SV08-46 Spool, 4-Way, 2-Position

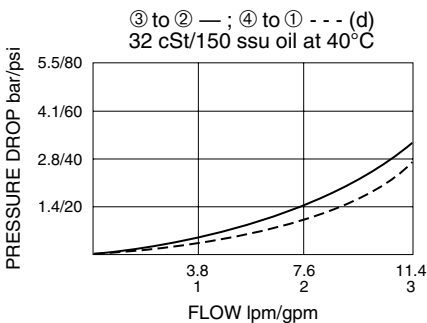


SYMBOLS

USAS/ISO:



PERFORMANCE (Cartridge Only)



DESCRIPTION

A solenoid-operated, 4-way, 2-position, direct-acting, spool-type, screw-in hydraulic cartridge valve.

OPERATION

When de-energized, the **SV08-46** allows flow from ① to ④, and from ③ to ②.

When energized, the spool shifts to allow flow between ②, ① and ④, while blocking flow at ③.

Operation of Manual Override Option: To override, push button in and twist counterclockwise 180°. The internal spring will push the button out. In this position, the valve may be only partially shifted. To assure full override shift, pull the button out to its fullest extension and hold it in this position.

To return to normal valve function, push button in, twist clockwise 180°, and release. Override will be detented in this position.

FEATURES

- Continuous-duty rated solenoid.
- Hardened precision spool and cage for long life.
- Optional coil voltages and terminations.
- Efficient wet-armature construction.
- All ports may be fully pressurized.
- Cartridges are voltage interchangeable.
- Manual override option.
- Optional waterproof E-Coils rated up to IP69K.
- Unitized, molded coil design.
- Compact size.

RATINGS

Operating Pressure: 207 bar (3000 psi)

Flow: See Performance Chart

Internal Leakage: 82 cc/minute (5 cu. in./minute) max. at 207 bar (3000 psi)

Temperature: -40 to 120°C with standard Buna seals

Coil Duty Rating: Continuous from 85% to 115% of nominal voltage

Initial Coil Current Draw at 20°C: Standard Coil: 1.2 amps at 12 VDC; 0.13 amps at 115 VAC (full wave rectified). E-Coil: 1.4 amps at 12 VDC; 0.7 amps at 24 VDC

Minimum Pull-in Voltage: 85% of nominal at 207 bar (3000 psi)

Filtration: See page 9.010.1

Fluids: Mineral-based or synthetics with lubricating properties at viscosities of 7.4 to 420 cSt (50 to 2000 ssu)

Installation: No restrictions; See page 9.020.1

Cavity: VC08-4; See page 9.108.1

Cavity Tool: CT08-4XX; See page 8.600.1

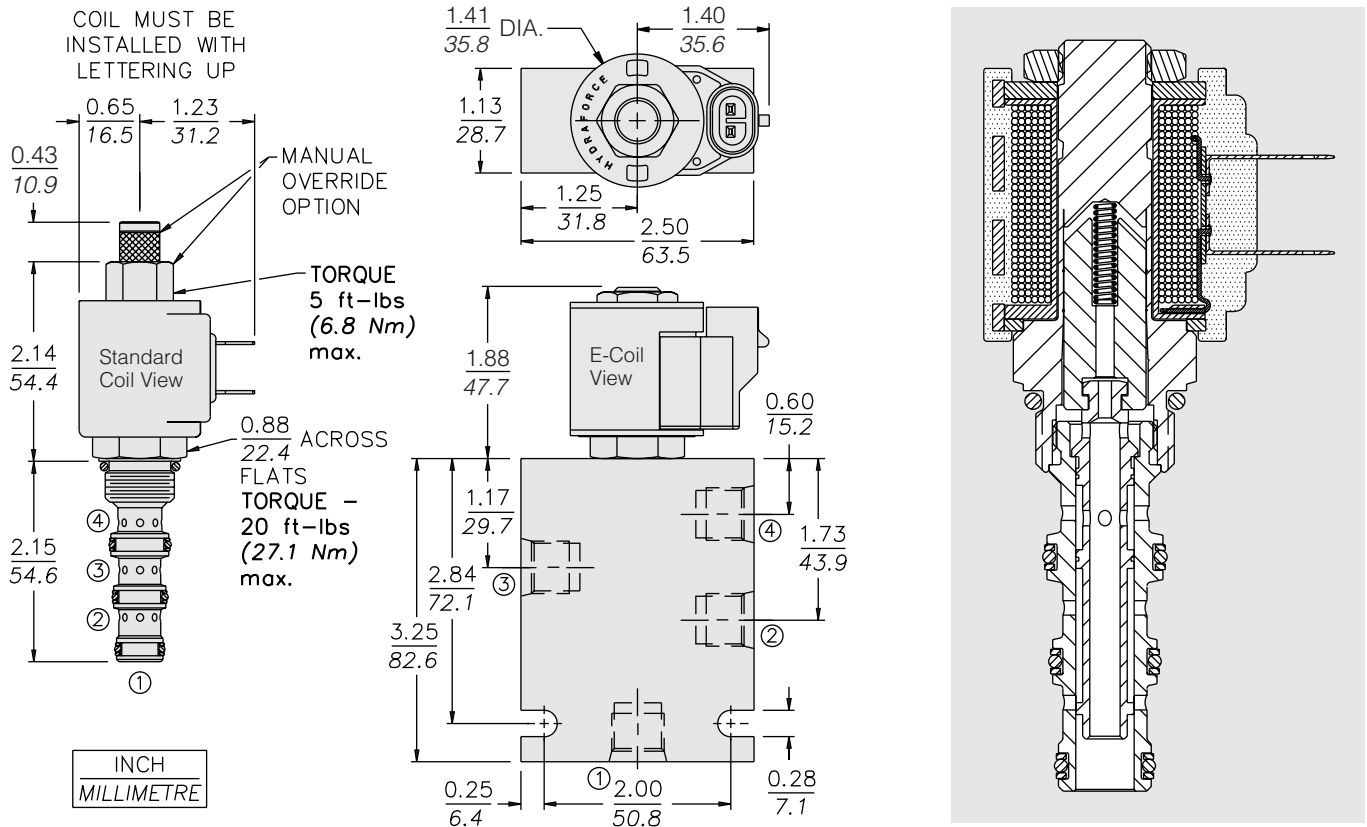
Seal Kit: SK08-4X-MMM; See page 8.650.1

Coil Nut: Part No. 7004400;

For E-coils manufactured prior to 1-1-04, see page 3.400.1 for coil nut info.

SV08-46

DIMENSIONS



MATERIALS

Cartridge: Weight: 0.13 kg. (0.28 lbs.); Steel with hardened work surfaces. Zinc-plated exposed surfaces; Buna N O-rings and polyester elastomer back-ups standard.

Standard Ported Body: Weight: 0.27 kg. (0.60 lbs.); Anodized high-strength 6061 T6 aluminum alloy, rated to 240 bar (3500 psi); See page 8.008.1. Ductile iron and steel bodies available; dimensions may differ; consult factory.

Standard Coil: Weight: 0.11 kg. (0.25 lbs.); Unitized thermoplastic encapsulated, Class H high temperature magnetwire; See page 3.200.1.

E-Coil: Weight: 0.14 kg. (0.3 lbs.); Fully encapsulated with rugged external metal shell; Rated up to IP69K with integral connectors; **Note: See page 3.400.1 for all E-Coil retrofit applications.**

TO ORDER

SV08-46		-		-		-		-		-	
Option	None (Blank)	Voltage Std. Coil	0	Termination (VDC) Std. Coil	DS						
Manual Override	M	10	10 VDC [†]	DG	Dual Spades						
		12	12 VDC	DL	DIN 43650						
Porting	Cartridge Only	24	24 VDC	DL/W	Leadwires (2) Leads w/Weatherpak® Connectors						
SAE 6	6T	36	36 VDC	DR	Deutsch DT04-2P						
1/4 in. BSP*	2B	48	48 VDC	Termination (VAC) Std. Coil							
3/8 in. BSP*	3B	24	24 VAC	AG	DIN 43650						
		115	115 VAC	AP	1/2 in. Conduit						
		230	230 VAC	Termination (VDC) E-Coil							
				ER	Deutsch DT04-2P (IP69K Rated)						
				EY	Metri-Pack® 150 (IP69K Rated)						
Seals	Buna N (Std.)	E-Coil	10	Coils with internal diode are available. Consult factory.							
Fluorocarbon	V	12	12 VDC								
		20	20 VDC								
		24	24 VDC								