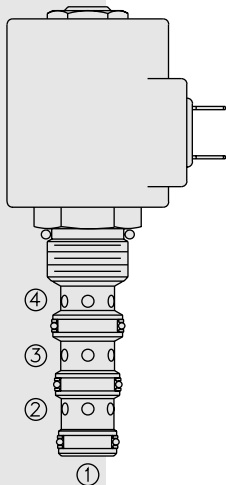


SOLENOID VALVES

SV10-44 Spool, 4-Way, 2-Position



DESCRIPTION

A solenoid-operated, 4-way, 2-position, direct-acting, spool-type, screw-in hydraulic cartridge valve.

OPERATION

When de-energized, the **SV10-44** allows flow from ③ to ④, as well as from ② to ①.

When energized, the cartridge's spool shifts to open ③ to ① while blocking ④ and ②.

Operation of Manual Override Option: To override, push button in and twist counterclockwise 180°. The internal spring will push the button out. In this position, the valve may be only partially shifted. To assure full override shift, pull the button out to its fullest extension and hold it in this position.

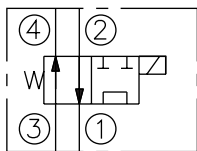
To return to normal valve function, push button in, twist clockwise 180° and release. Override will be detented in this position.

FEATURES

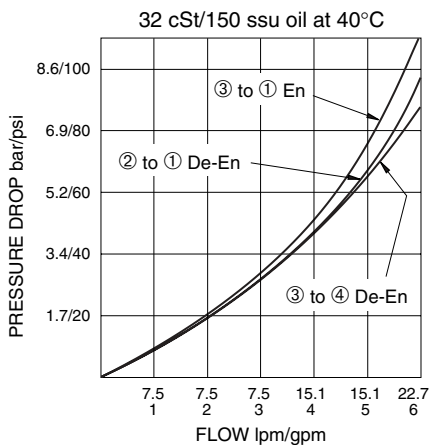
- Continuous-duty rated solenoid.
- Hardened precision spool and cage for long life.
- Optional coil voltages and terminations.
- Efficient wet-armature construction.
- All ports may be fully pressurized.
- Cartridges are voltage interchangeable.
- Manual override option.
- Optional waterproof E-Coils rated up to IP69K.
- Unitized, molded coil design.
- Industry common cavity.

SYMBOLS

USAS/ISO:



PERFORMANCE (Cartridge Only)



RATINGS

Operating Pressure: 207 bar (3000 psi)

Proof Pressure: 350 bar (5075 psi)

Flow: 23 lpm (6 gpm) max.

Internal Leakage: 82 cc/minute (5 cu. in./minute) max. at 207 bar (3000 psi)

Temperature: -40 to 120°C with standard Buna seals

Coil Duty Rating: Continuous from 85% to 115% of nominal voltage

Initial Coil Current Draw at 20°C: Standard Coil: 1.67 amps at 12 VDC; 0.18 amps at 115 VAC (full wave rectified). E-Coil: 2.0 amps at 12 VDC; 1.0 amps at 24 VDC

Minimum Pull-in Voltage: 85% of nominal at 207 bar (3000 psi)

Filtration: See page 9.010.1

Fluids: Mineral-based or synthetics with lubricating properties at viscosities of 7.4 to 420 cSt (50 to 2000 ssu)

Installation: No restrictions; See page 9.020.1

Cavity: VC10-4; See page 9.110.1

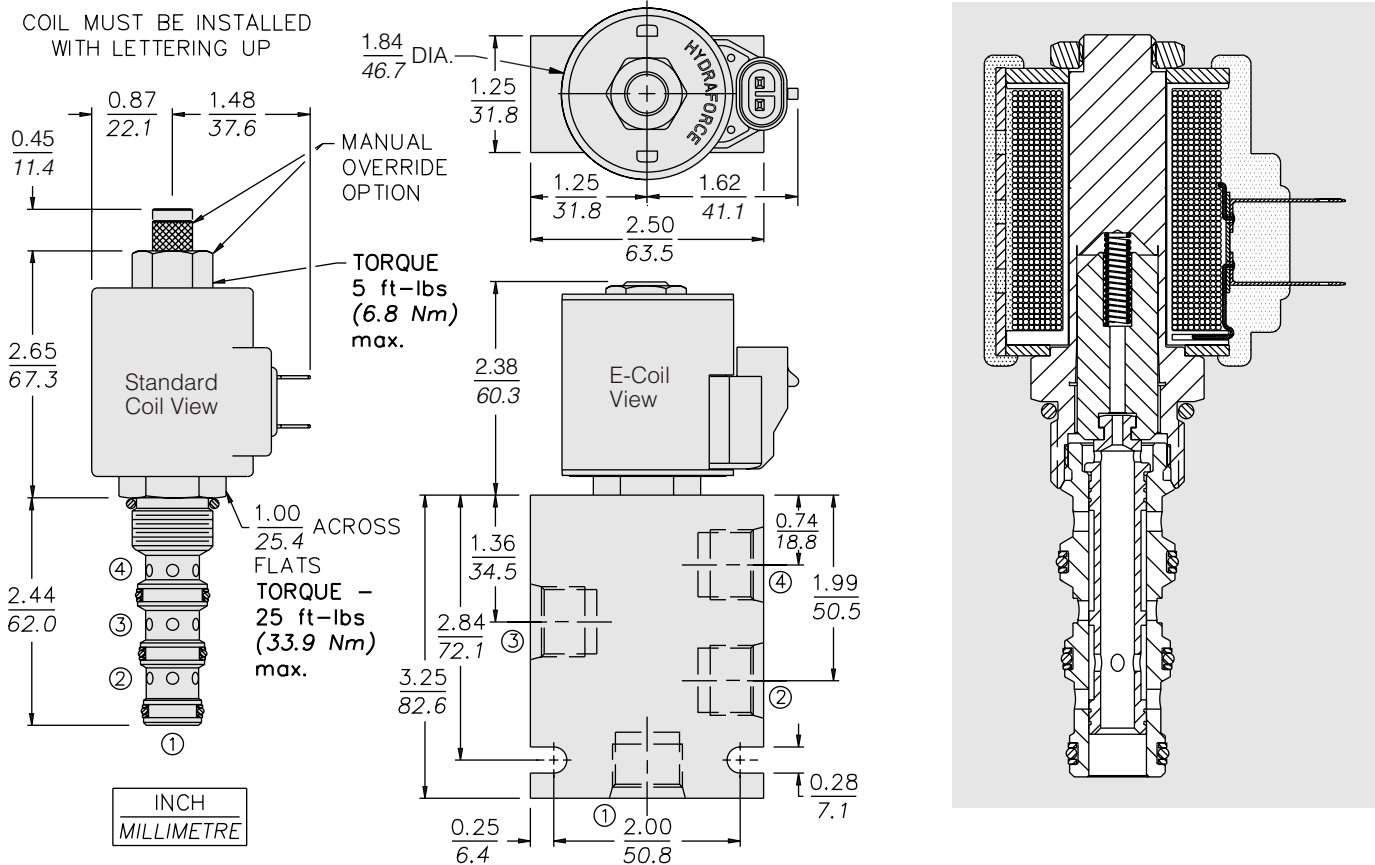
Cavity Tool: CT10-4XX; See page 8.600.1

Seal Kit: SK10-4X-MMM; See page 8.650.1

Coil Nut: Part No. 7004400;

For E-coils manufactured prior to 1-1-04, see page 3.400.1 for coil nut info.

DIMENSIONS



MATERIALS

Cartridge: Weight: 0.20 kg. (0.45 lbs.); Steel with hardened work surfaces. Zinc-plated exposed surfaces. Buna N O-rings and polyester elastomer back-up standard.

Standard Ported Body: Weight: 0.36 kg. (0.80 lbs.); Anodized high-strength 6061 T6 aluminum alloy, rated to 240 bar (3500 psi); See page 8.010.1. Ductile iron and steel bodies available; dimensions may differ; consult factory.

Standard Coil: Weight: 0.27 kg. (0.60 lbs.); Unitized thermoplastic encapsulated, Class H high temperature magnetwire; See page 3.200.1.

E-Coil: Weight: 0.41 kg. (0.9 lbs.); Fully encapsulated with rugged external metal shell; Rated up to IP69K with integral connectors; **Note: See page 3.400.1 for all E-Coil retrofit applications.**

TO ORDER

SV10-44		-	-	-	-	-	-
Option							
None (Blank)							
Manual Override	M						
Manual Override	Y						
Manual Override	J						
For Manual Override options see page 1.001.1							
Porting							
Cartridge Only	0						
SAE 6	6T						
SAE 8	8T						
1/4 in. BSP*	2B						
3/8 in. BSP*	3B						
*BSP Body; U.K. Mfr. Only							
Seals							
Buna N (Std.)	N						
Fluorocarbon	V						
					Voltage Std. Coil		
					0 Less Coil**		
					10 10 VDC†		
					12 12 VDC		
					24 24 VDC		
					36 36 VDC		
					48 48 VDC		
					24 24 VAC		
					115 115 VAC		
					230 230 VAC		
					**Includes Std. Coil Nut		
					† DS, DW or DL terminations only		
					E-Coil		
					10 10 VDC		
					12 12 VDC		
					20 20 VDC		
					24 24 VDC		
						Termination (VDC) Std. Coil	
						DS Dual Spades	
						DG DIN 43650	
						DL Leadwires (2)	
						DL/W Leads w/Weatherpak® Connectors	
						DR Deutsch DT04-2P	
						Termination (VAC) Std. Coil	
						AG DIN 43650	
						AP 1/2 in. Conduit	
						Termination (VDC) E-Coil	
						ER Deutsch DT04-2P (IP69K Rated)	
						EY Metri-Pack® 150 (IP69K Rated)	
						Coils with internal diode are available. Consult factory.	