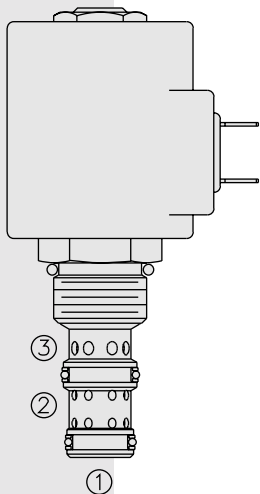


# SOLENOID VALVES

## SV10-33 Spool, 3-Way



### DESCRIPTION

A solenoid-operated, 3-way, direct-acting, spool-type, screw-in hydraulic cartridge valve.

### OPERATION

When de-energized, the **SV10-33** allows flow from ③ to ①, while blocking flow at ②.

When energized, the cartridge's spool shifts to open from ① to ②, while blocking at ③.

**Operation of Manual Override Option:** To override, push button in and twist counterclockwise 180°. The internal spring will push the button out. In this position, the valve may be only partially shifted. To assure full override shift, pull the button out to its fullest extension and hold it in this position.

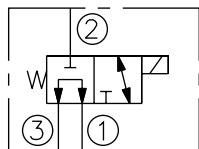
To return to normal valve function, push button in, twist clockwise 180°, and release. Override will be detented in this position.

### FEATURES

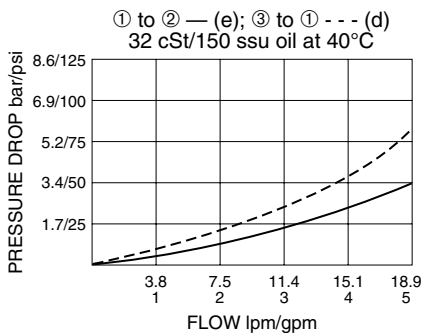
- Continuous-duty rated solenoid.
- Hardened precision spool and cage for long life.
- Optional coil voltages and terminations.
- Efficient wet-armature construction.
- All ports may be fully pressurized.
- Cartridges are voltage interchangeable.
- Manual override option.
- Optional waterproof E-Coils rated up to IP69K.
- Unitized, molded coil design.
- Industry common cavity.

### SYMBOLS

#### USAS/ISO:



### PERFORMANCE (Cartridge Only)



### RATINGS

**Operating Pressure:** 207 bar (3000 psi)

**Proof Pressure:** 350 bar (5075 psi)

**Flow:** 18.9 lpm (5 gpm) max.

**Internal Leakage:** 82 cc/minute (5 cu. in./minute) max. at 207 bar (3000 psi)

**Temperature:** -40 to 120°C with standard Buna seals

**Coil Duty Rating:** Continuous from 85% to 115% of nominal voltage

**Initial Coil Current Draw at 20°C:** Standard Coil: 1.67 amps at 12 VDC; 0.18 amps at 115 VAC (full wave rectified). E-Coil: 2.0 amps at 12 VDC; 1.0 amps at 24 VDC

**Minimum Pull-in Voltage:** 85% of nominal at 207 bar (3000 psi)

**Filtration:** See page 9.010.1

**Fluids:** Mineral-based or synthetics with lubricating properties at viscosities of 7.4 to 420 cSt (50 to 2000 ssu)

**Installation:** No restrictions; See page 9.020.1

**Cavity:** VC10-3, See page 9.110.1

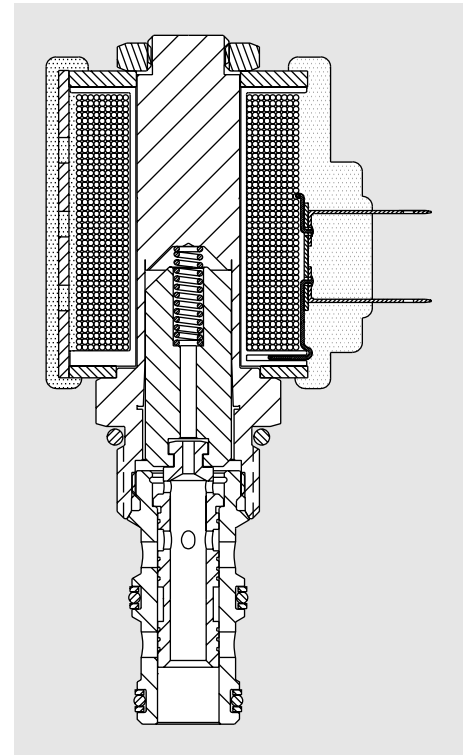
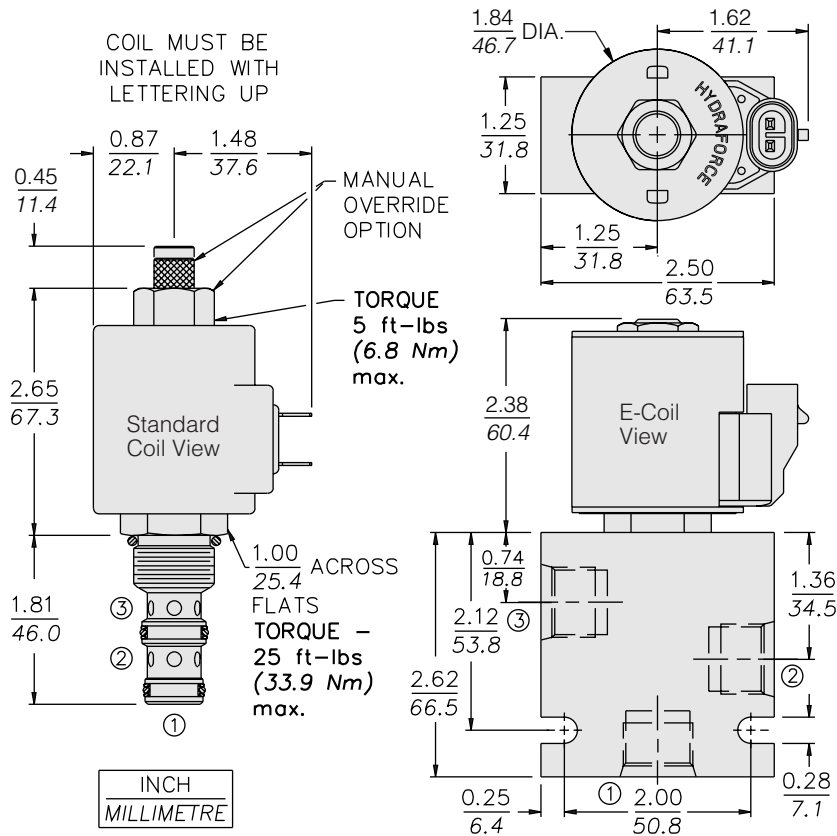
**Cavity Tool:** CT10-3XX; See page 8.600.1

**Seal Kit:** SK10-3X-MM; See page 8.650.1

**Coil Nut:** Part No. 7004400;

For E-coils manufactured prior to 1-1-04, see page 3.400.1 for coil nut info.

**DIMENSIONS**



**MATERIALS**

**Cartridge:** Weight: 0.14 kg. (0.30 lbs.); Steel with hardened work surfaces. Zinc-plated exposed surfaces. Buna N O-rings and polyester elastomer back-up standard.

**Standard Ported Body:** Weight: 0.36 kg. (0.80 lbs.); Anodized high-strength 6061 T6 aluminum alloy, rated to 240 bar (3500 psi); See page 8.010.1. Ductile iron and steel bodies available; dimensions may differ; consult factory.

**Standard Coil:** Weight: 0.27 kg. (0.60 lbs.); Unitized thermoplastic encapsulated, Class H high temperature magnetwire; See page 3.200.1.

**E-Coil:** Weight: 0.41 kg. (0.9 lbs.); Fully encapsulated with rugged external metal shell; Rated up to IP69K with integral connectors;

**Note: See page 3.400.1 for all E-Coil retrofit applications.**

**TO ORDER**

<b>SV10-33</b>		-		-		-		-		-		-		-	
<b>Option</b>		<b>Voltage</b>		<b>Termination (VDC)</b>		<b>Termination (VDC)</b>		<b>Termination (VAC)</b>		<b>Termination (VDC)</b>		<b>Termination (VDC)</b>		<b>Termination (VAC)</b>	
None	(Blank)	<b>Std. Coil</b>		<b>Std. Coil</b>		<b>Std. Coil</b>		<b>Std. Coil</b>		<b>E-Coil</b>		<b>E-Coil</b>		<b>E-Coil</b>	
Manual Override	<b>M</b>	<b>0</b>	Less Coil**	<b>DS</b>	Dual Spades	<b>AG</b>	DIN 43650	<b>ER</b>	Deutsch DT04-2P	<b>10</b>	10 VDC	<b>EY</b>	Metri-Pack® 150		
Manual Override	<b>Y</b>	<b>10</b>	10 VDC†	<b>DG</b>	DIN 43650	<b>12</b>	12 VDC	<b>AP</b>	1/2 in. Conduit	<b>20</b>	20 VDC				
Manual Override	<b>J</b>	<b>12</b>	12 VDC	<b>DL</b>	Leadwires (2)	<b>24</b>	24 VDC			<b>24</b>	24 VDC				
For Manual Override options see page 1.001.1		<b>24</b>	24 VDC	<b>DL/W</b>	Leads w/Weatherpak® Connectors	<b>36</b>	36 VDC			<b>48</b>	48 VDC				
<b>Porting</b>		<b>48</b>	48 VDC	<b>DR</b>	Deutsch DT04-2P	<b>24</b>	24 VAC			<b>115</b>	115 VAC				
Cartridge Only	<b>0</b>	<b>230</b>	230 VAC			<b>230</b>	230 VAC								
SAE 6	<b>6T</b>	**Includes Std. Coil Nut				† DS, DW or DL terminations only									
SAE 8	<b>8T</b>	<b>E-Coil</b>				<b>10</b>	10 VDC								
1/4 in. BSP*	<b>2B</b>	<b>12</b>	12 VDC			<b>20</b>	20 VDC								
3/8 in. BSP*	<b>3B</b>	<b>24</b>	24 VDC			<b>24</b>	24 VDC								
*BSP Body; U.K. Mfr. Only															
<b>Seals</b>															
Buna N (Std.)	<b>N</b>														
Fluorocarbon	<b>V</b>														