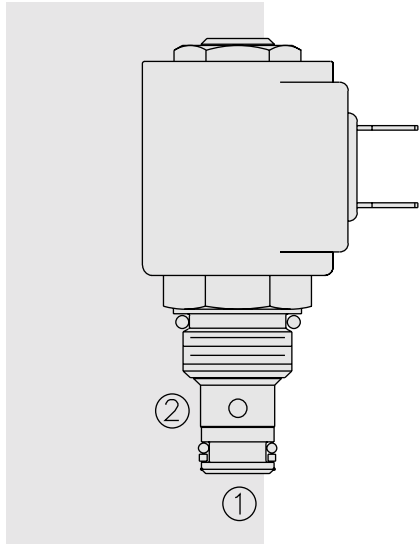


SOLENOID VALVES

SL08-22 Low Flow, 2-Way, Normally Closed



DESCRIPTION

A solenoid-operated, 2-way, normally closed, direct-acting, needle-type, screw-in hydraulic cartridge valve, designed to function as a load-holding device for low flow circuits requiring extremely low leakage.

OPERATION

When de-energized, the **SL08-22** blocks flow from ② to ①.

When energized, the needle point lifts to open the valve bidirectionally.

Operation of Manual Override Option: To override, push button in, twist counter-clockwise 180° and release. In this position, the valve will remain open.

To return to normal operation, push button in, twist clockwise 180° and release. Override will be detented in this position.

FEATURES

- Continuous-duty rated solenoid.
- Hardened seat for long life and low leakage.
- Optional coil voltages and terminations.
- Cartridges are voltage interchangeable.
- Unitized, molded coil design.
- Industry common cavity.
- Manual override option.
- Optional waterproof E-Coils rated up to IP69K.
- Compact size.

RATINGS

Operating Pressure: 207 bar (3000 psi)

Internal Leakage: 0.05 cc/minute (1 drop/minute) max. at 207 bar (3000 psi)

Temperature: -40 to 120°C with standard Buna seals

Coil Duty Rating: Continuous from 85% to 115% of nominal voltage

Response Time: First indication of change of state with 100% voltage supplied at 80% of nominal flow rating (② to ① direction):
Energized: 22 msec.; De-energized: 40 msec.

Initial Coil Current Draw at 20°C: Standard Coil: 1.2 amps at 12 VDC; 0.13 amps at 115 VAC (full wave rectified). E-Coil: 1.4 amps at 12 VDC; 0.7 amps at 24 VDC

Minimum Pull-in Voltage: 85% of nominal at 207 bar (3000 psi)

Filtration: See page 9.010.1

Fluids: Mineral-based or synthetics with lubricating properties at viscosities of 7.4 to 420 cSt (50 to 2000 ssu)

Installation: No restrictions; See page 9.020.1

Cavity: VC08-2; See page 9.108.1

Cavity Tool: CT08-2XX; See page 8.600.1

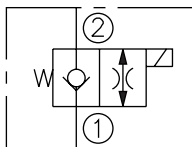
Seal Kit: SK08-2X-T; See page 8.650.1

Coil Nut: Part No. 7004400;

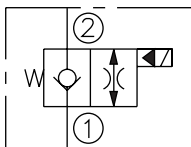
For E-coils manufactured prior to 1-1-04, see page 3.400.1 for coil nut info.

SYMBOLS

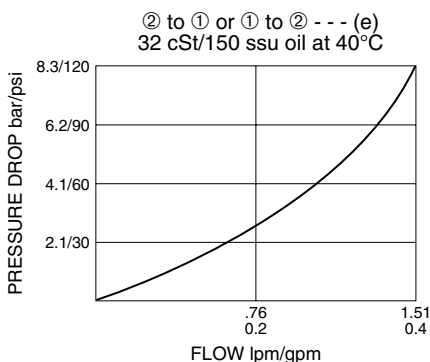
USASI:



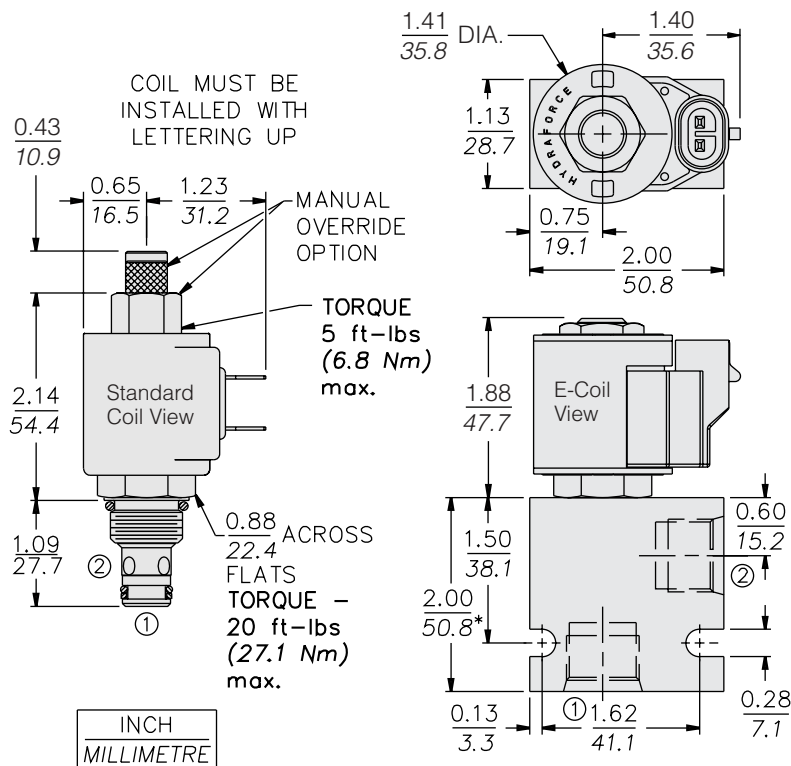
ISO:



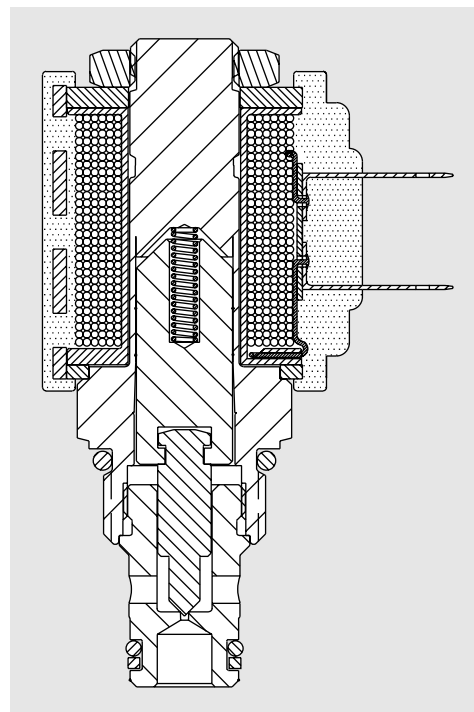
PERFORMANCE (Cartridge Only)



DIMENSIONS



* BSP BODY - 55.9 mm



MATERIALS

Cartridge: Weight: 0.09 kg. (0.20 lbs.); Steel with hardened work surfaces. Zinc-plated exposed surfaces; Buna N O-rings and back-up standard.

Standard Ported Body: Weight: 0.16 kg. (0.35 lbs.); Anodized high-strength 6061 T6 aluminum alloy, rated to 240 bar (3500 psi); See page 8.008.1. Ductile iron and steel bodies available; dimensions may differ; consult factory.

Standard Coil: Weight: 0.11 kg. (0.25 lbs.); Unitized thermoplastic encapsulated, Class H high temperature magnetwire; See page 3.200.1.

E-Coil: Weight: 0.14 kg. (0.3 lbs.); Fully encapsulated with rugged external metal shell; Rated up to IP69K with integral connectors; **Note: See page 3.400.1 for all E-Coil retrofit applications.**

TO ORDER

SL08-22		-	-	-	-	-	-	-
Options	None (Blank)	S	Screen	M	Manual Override			
Porting	Cartridge Only	0	SAE 4	4T	SAE 6	6T	SAE 8	8T
	1/4 in. BSP*	2B	3/8 in. BSP*	3B	1/2 in. BSP*	4B		
	*BSP Body; U.K. Mfrs. Only							
Seals	Buna N (Std.)	N	Fluorocarbon	V				
Voltage Std. Coil	0	Less Coil**	10	10 VDC†	12	12 VDC	24	24 VDC
	36	36 VDC	48	48 VDC	24	24 VAC	115	115 VAC
	230	230 VAC	**Includes Std. Coil Nut					
	† DS, DW or DL terminations only							
Termination (VDC) Std. Coil	DS	Dual Spades	DG	DIN 43650	DL	Leadwires (2)	DL/W	Leads w/Weatherpak® Connectors
	DR	Deutsch DT04-2P	Termination (VAC) Std. Coil					
	AG	DIN 43650	AP	1/2 in. Conduit	Termination (VDC) E-Coil			
	ER	Deutsch DT04-2P (IP69K Rated)	EY	Metri-Pack® 150 (IP69K Rated)	Coils with internal diode are available. Consult factory.			