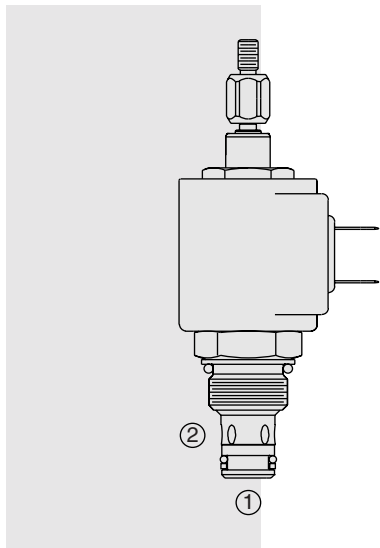


# SOLENOID VALVES

## SV08-20J Poppet, 2-Way, Normally Closed,



### DESCRIPTION

A solenoid-operated, 2-way, normally closed, poppet-type, screw-in hydraulic cartridge valve, with either “J” or “Y” type manual override standard. This valve is intended as a blocking or load holding device for low flow circuits having pull-only manual override requirements for handles or cable linkage.

### OPERATION

When de-energized, the **SV08-20J/Y** acts as a check valve, allowing flow from ① to ②, while blocking flow from ② to ①.

When energized, the valve's poppet lifts to open the ② to ① flow path, while flow from ① to ② is severely restricted.

**Operation of Manual Override Option:** To manually override, pull and hold the knurled knob. This override is not detented. The pull force required is approximately 24 lbs. The “J” option includes a male 10-32 thread for a cable attachment. If a cable is used, the internal valve spring may not provide enough force to overcome internal cable friction. An external means of returning the cable must be provided by the user.

### FEATURES

- Continuous-duty rated coil.
- Hardened parts for long life.
- Optional coil voltages and terminations.
- Optional waterproof E-Coils rated up to IP69K.
- Manual override standard.
- Industry common cavity.
- Compact size.

### RATINGS

**Maximum Operating Pressure:** 207 bar (3000 psi)

**Proof Pressure:** 255 bar (3700 psi)

**Flow:** See Performance Chart

**Temperature:** -40 to 120°C with standard Buna seals

**Coil Duty Rating:** Continuous from 85% to 115% of nominal voltage

**Initial Coil Current Draw at 20°C:** Standard Coil: 1.2 amps at 12 VDC; 0.13 amps at 115 VAC (full wave rectified); E-Coil: 1.4 amps at 12 VDC; 0.7 amps at 24 VDC

**Minimum Pull-in Voltage:** 85% of nominal at 40°C; Drop Out 5%

**Filtration:** See page 9.010.1

**Fluids:** Mineral-based or synthetics with lubricating properties at viscosities of 7.4 to 420 cSt (50 to 2000 ssu)

**Installation:** No restrictions; See page 9.020.1

**Cavity:** VC08-2; See page 9.108.1

**Cavity Tool:** CT08-2XX; See page 8.600.1

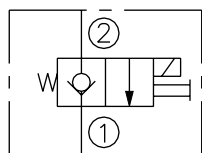
**Seal Kit:** SK08-2X-T; See page 8.650.1

**Coil Nut:** Part No. 7004400;

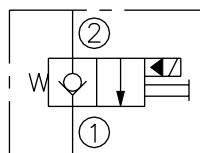
For E-coils manufactured prior to 1-1-04, see page 3.400.1 for coil nut info.

### SYMBOLS

USASI:



ISO:



### PERFORMANCE (Cartridge Only)

