

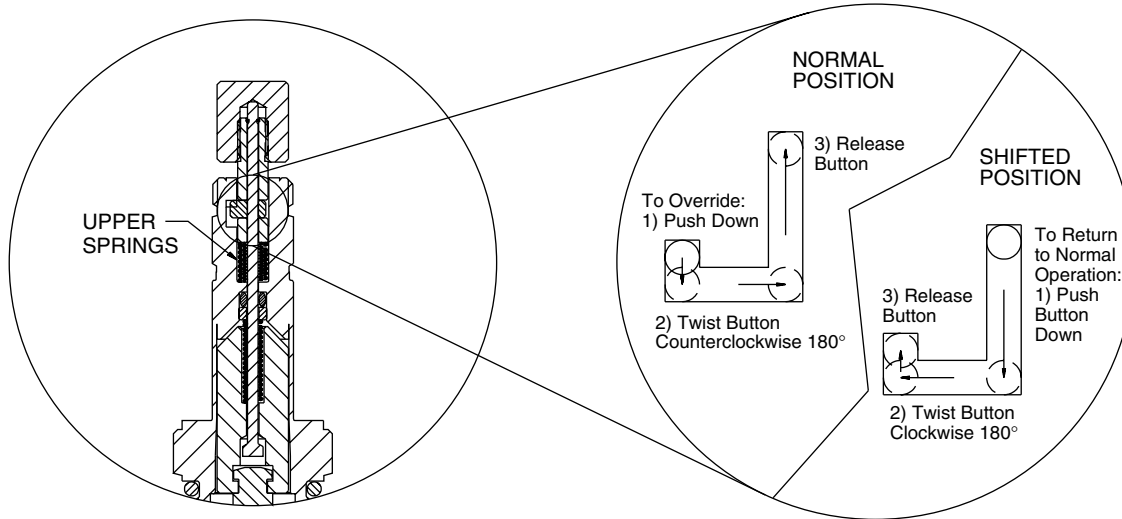
SOLENOID VALVES

Manual Override Options

Manual Override “M” Option for Two-Position Pull-Type Solenoid Valves

Note: This option is not available along with the Waterproofing option.

Note: The manual override feature is intended for emergency use, not for continuous-duty operation.

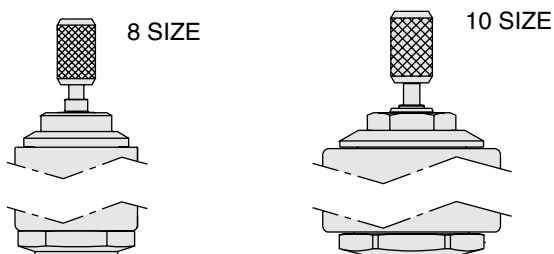


Exaggerated illustration of operation of Manual Override “M” option

Manual Override “M” Option for Three-Position Push/Pull-Type Solenoid Valves

Note: The manual override feature is intended for emergency use, not for continuous-duty operation.

Note: This option is provided with the Waterproofing option.

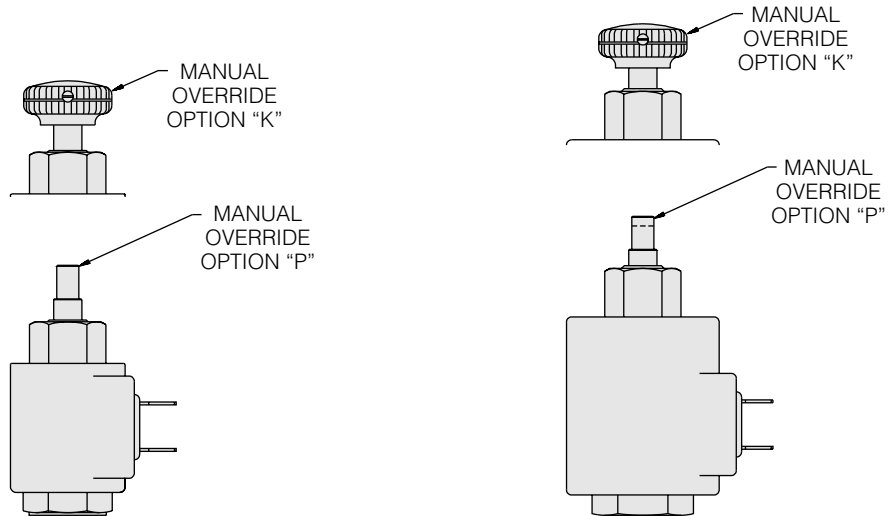


Manual Override Options

Manual Override “P” and “K” Options for Two-Position Push-Type Solenoid Valves

Note: The manual override feature is intended for emergency use, not for continuous-duty operation.

Note: This option is not available along with the Waterproofing option.



Manual Override “J” and “Y” Options for Pull-Type Solenoid Valves

Sizes: -38 (for -08 cavities), -10, -12, -16

Note: The manual override feature is intended for emergency use, not for continuous-duty operation.

