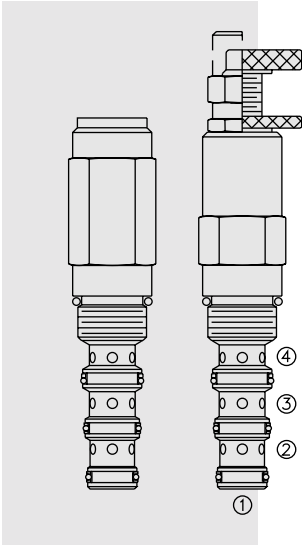


# PRESSURE CONTROLS

## PS10-41 Sequence, N.O., External Pilot & Drain



### DESCRIPTION

A screw-in, cartridge-style, direct-acting, spool-type, hydraulic sequence valve with external pilot and spring chamber drain. It is designed to function as a pressure-signalled, remote pilot-operated, two-way, normally open valve. A separate spring chamber drain galley allows port ③ or ② to be fully pressurized.

### OPERATION

In neutral (unpiloted), the **PS10-41** allows flow between ③ and ② bidirectionally.

The spring chamber is constantly vented at ④.

On attainment of a pre-determined pressure at ①, the cartridge shifts to close ③ to ② bidirectionally.

### FEATURES

- Adjustments cannot be backed out of the valve.
- Adjustments prohibit springs from going solid.
- Optional spring ranges to 151.7 bar (2200 psi).
- Hardened precision spool and cage for long life.
- Industry common cavity.

### RATINGS

**Operating Pressure:** 240 bar (3500 psi)

**Flow:** See Performance Chart

**Internal Leakage:** 82 cc/minute (5 cu. in./minute) max. to 85% of nominal setting

**Standard Spring Ranges:** 2.8 to 27.6 bar (40 to 400 psi); 15.2 to 151.7 bar (220 to 2200 psi)

**Temperature:** -40 to 120°C with standard Buna seals

**Filtration:** See page 9.010.1

**Fluids:** Mineral-based or synthetics with lubricating properties at viscosities of 7.4 to 420 cSt (50 to 2000 ssu)

**Installation:** No restrictions; See page 9.020.1

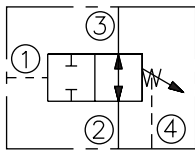
**Cavity:** VC10-4; See page 9.110.1

**Cavity Tool:** CT10-4XX; See page 8.600.1

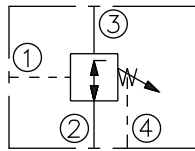
**Seal Kit:** SK10-4X-BMM; See page 8.650.1

### SYMBOLS

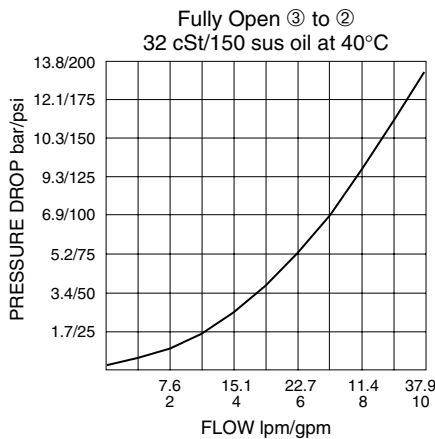
#### USASI:



#### ISO:

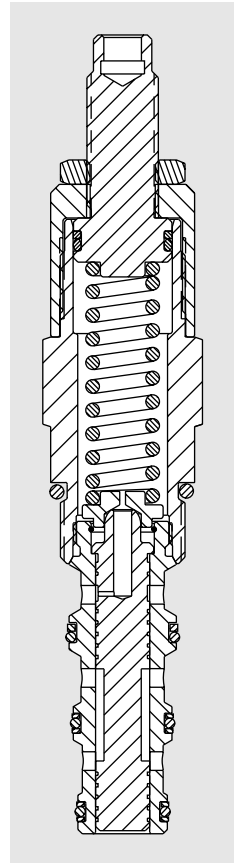
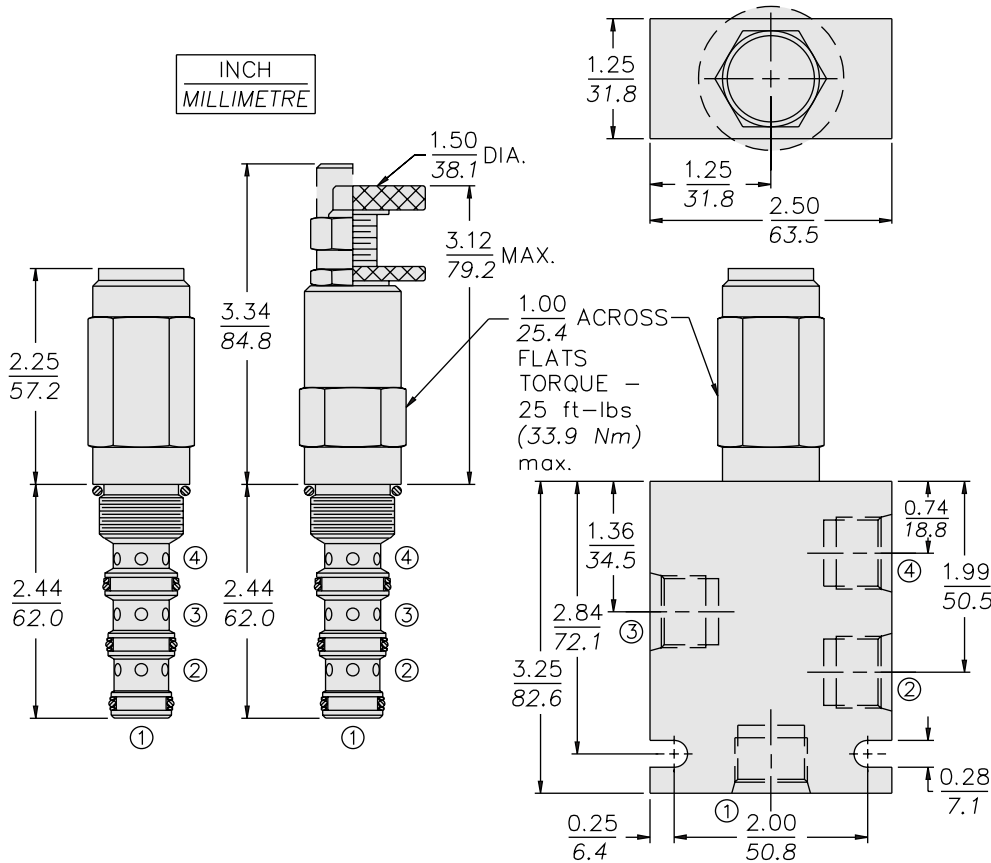


### PERFORMANCE (Cartridge Only)



# PS10-41

## DIMENSIONS



## MATERIALS

**Cartridge:** Weight: 0.34 kg. (0.70 lbs.);  
Steel with hardened work surfaces.  
Zinc-plated exposed surfaces.  
Buna N O-rings and polyester  
elastomer back-ups standard.  
Anodized aluminum knobs  
and caps.

**Standard Ported Body:** Weight:  
0.34 kg. (0.70 lbs.); Anodized  
high-strength 6061 T6 aluminum  
alloy, rated to 240 bar (3500 psi); see  
page 8.010.1. Ductile iron and steel  
bodies available; dimensions may  
differ; consult factory.

## TO ORDER

### PS10-41

#### Adjustment Option

1/4 in. Hex Allen Head **A**  
1-1/2 in. Dia. Alum Knob **B**  
Option A w/Cover Cap **C**  
Factory Preset Non-Adj. **F**  
Factory Preset  
Hidden Adj. **H**  
Option C w/  
Lockwire Holes **L**

#### Porting

Cartridge Only **0**  
SAE 6 **6T**  
SAE 8 **8T**  
1/4 in. BSP\* **2B**  
3/8 in. BSP\* **3B**

#### Seals

Buna N (Std.) **N**  
Fluorocarbon **V**

#### Setting in bars<sup>†</sup>

(Blank) for Adjustable, or  
Specify, for example:  
**M25** 25 bar  
**M100** 100 bar

#### Setting in psi<sup>†</sup>

(Blank) for Adjustable, or  
Specify, for example:  
**9.0** 900 psi  
**21.0** 2100 psi

#### Spring Range

**4** 2.8 to 27.6 bar  
(40 to 400 psi)  
**22** 15.2 to 151.7 bar  
(220 to 2200 psi)

\*BSP Body;  
U.K. Mfr. Only

<sup>†</sup>Adjustable valves will be preset to  
approx. 50% of spring max. potential.