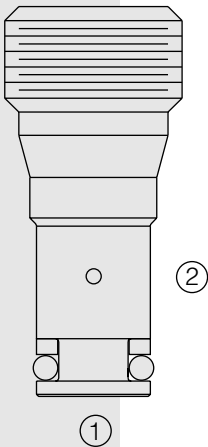


TR04-B20 Thermal Relief Valve



DESCRIPTION

A screw-in, cartridge-style, poppet-type, thermal relief valve intended to prevent cylinder damage resulting from temperature induced pressure intensification.

This valve is not intended to be used as a dynamic relief valve, or as protection against load-induced pressure spikes.

OPERATION

The **TR04-B20** blocks flow from ① to ② until sufficient pressure is present at ① to force the spring opposed poppet from its seat.

Pressure at port ② should not, at any time, be more than 500 psi above the pressure at port ①.

FEATURES

- Miniature size.
- Hardened parts for long life.
- Below surface mount.
- Low Leakage.

RATINGS

Maximum Operating Pressure: 414 bar (6000 psi)

Leakage: 1 drop/minute to 90% of crack setting

Reseat Characteristic: 10 drops/minute at 85% of pressure setting

Temperature: -40 to 120°C with Buna N seals

Filtration: See page 9.010.1

Fluids: Mineral-based or synthetics with lubricating properties at viscosities of 7.4 to 420 cSt (50 to 2000 ssu)

Installation: No restrictions; See page 9.020.1

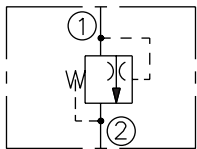
Cavity: VC04-B2; See page 9.104.1

Cavity Tool: CT04-B2XX; See page 8.600.1

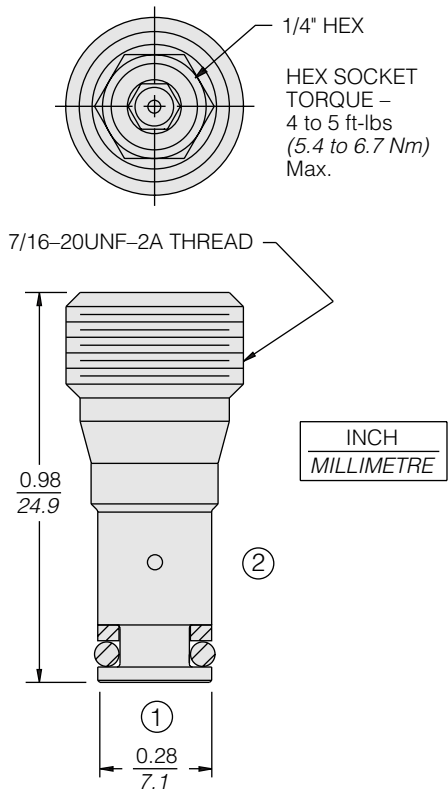
Seal Kit: SK04-B2X-B; See page 8.650.1

SYMBOLS

USASI/ISO:



DIMENSIONS

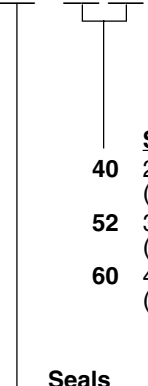


MATERIALS

Cartridge: Weight: 0.05 kg. (0.12 lbs.);
 Steel with hardened work surfaces.
 Zinc-plated exposed surfaces.
 Buna N O-rings and TFE back-ups
 standard, Polyurethane optional.

TO ORDER

TR04-B20 - 0 -



Spring Setting

- 40** 276 to 286 bar
(4000 to 4150 psi)
- 52** 359 to 369 bar
(5200 to 5350 psi)
- 60** 414 to 424 bar
(6000 to 6150 psi)

Non-standard spring settings are available for OEM applications. Consult factory.

Seals

- N** Buna N (Standard for Spring Setting 40)
- V** Fluorocarbon (Optional for Spring Setting 40)
- P** Polyurethane (Standard for Spring Settings 52 and 60)