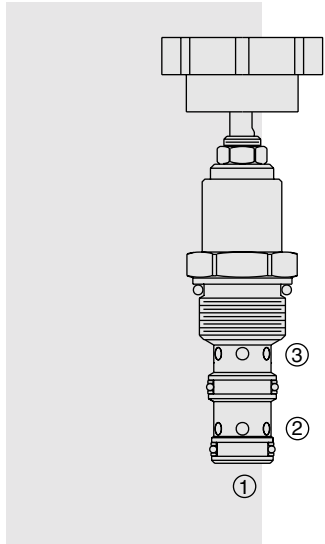


FR10-32 Flow Regulator, Orifice Adjustable,



DESCRIPTION

A screw-in, cartridge-style, pressure-compensated, manually-operated, bi-directional hydraulic flow regulating valve. An internal compensator spool provides compensated flow across the proportional orifice regardless of flow direction.

OPERATION

The **FR10-32** provides regulated flow in both directions, from port ② to port ③, or from port ③ to port ②. Port ① should be blocked. Regulated flow increases from closed to fully open with clockwise rotation. The valve will maintain the set flow rate regardless of pressure variations at each of the ports.

FEATURES

- Hardened seat for long life and low leakage.
- Various adjustment options.
- Excellent linearity and hysteresis.
- Industry common cavity.

RATINGS

Operating Pressure: Inlet: 240 bar (3500 psi)

Rated Inlet Flow Rate: 19 lpm (5 gpm); see performance chart

Internal Leakage: 0.38 ml/minute (0.10 gpm/minute) maximum

Temperature: -40 to 120°C with Buna N seals

Filtration: See page 9.010.1

Fluids: Mineral-based or synthetics with lubricating properties at viscosities of 7.4 to 420 cSt (50 to 2000 ssu)

Installation: No restrictions; See page 9.020.1

Cavity: VC10-3; See page 9.110.1

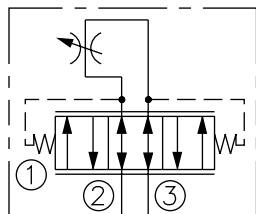
Cavity Tool: CT10-3XX; See page 8.600.1

Seal Kit: SK10-3X-MM; See page 8.650.1

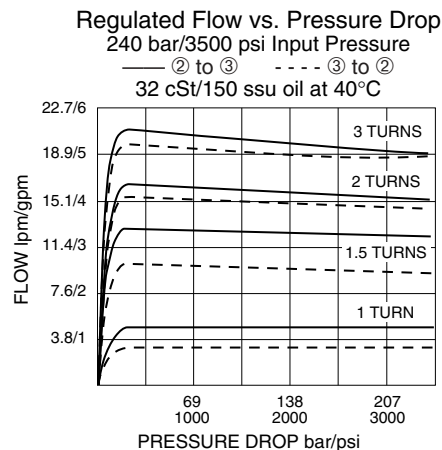
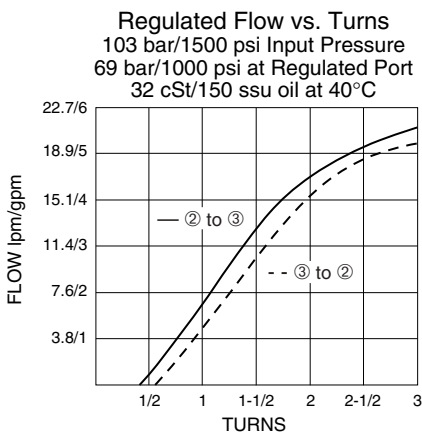
Knob Kit: Part Number 6113160

SYMBOLS

USAS/ISO:



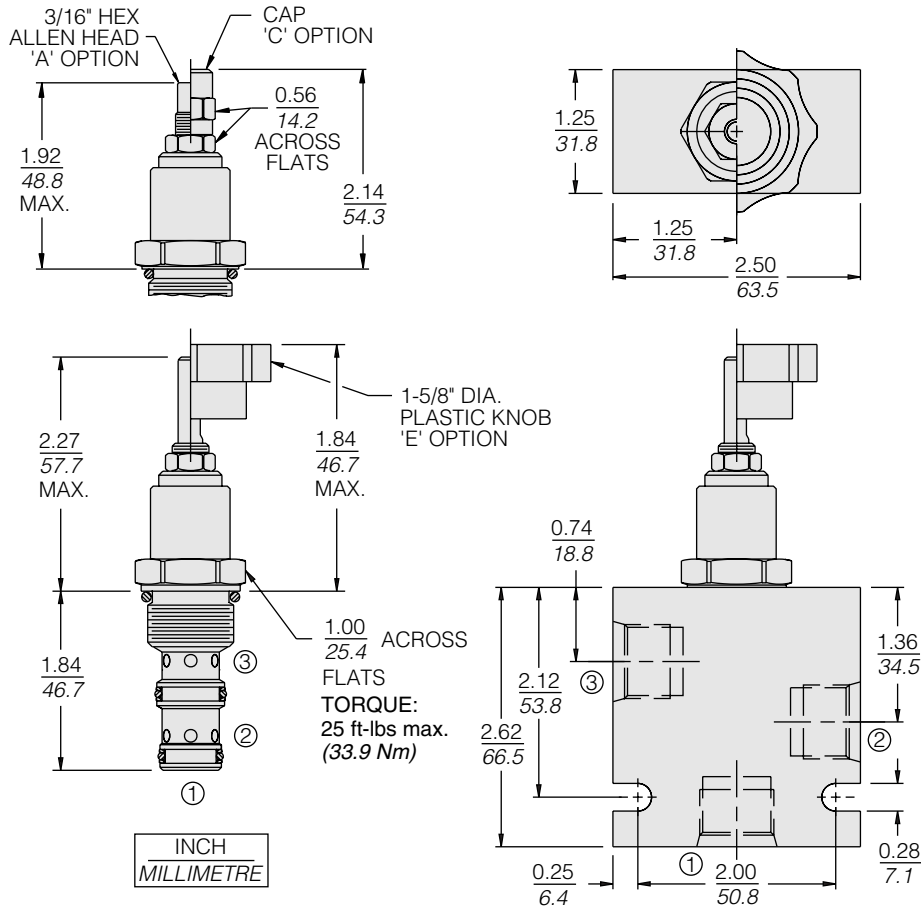
PERFORMANCE (Cartridge Only)



Bi-Directional

FR10-32

DIMENSIONS



MATERIALS

Cartridge: Weight: 0.30 kg. (0.68 lbs.); Steel with hardened work surfaces. Zinc-plated exposed surfaces. Buna N O-rings and polyester elastomer back-ups standard.

Standard Ported Body: Weight: 0.36 kg. (0.80 lbs.); Anodized high-strength 6061 T6 aluminum alloy, rated to 240 bar (3500 psi); see page 8.010.1. Ductile iron and steel bodies available; dimensions may differ; consult factory.

TO ORDER

FR10-32

Adjustment Option

Extended Shaft Only Blank
 3/16" Hex Allen Head **A**
 Option 'A' w/Cover Cap **C**
 Plastic Knob **E**

Seals

N Buna N (Std.)
V Fluorocarbon

Porting

Cartridge Only **0**
 SAE 6 **6T**
 SAE 8 **8T**
 1/4 in. BSP* **2B**
 3/8 in. BSP* **3B**

*BSP Body; U.K. Mfr. Only