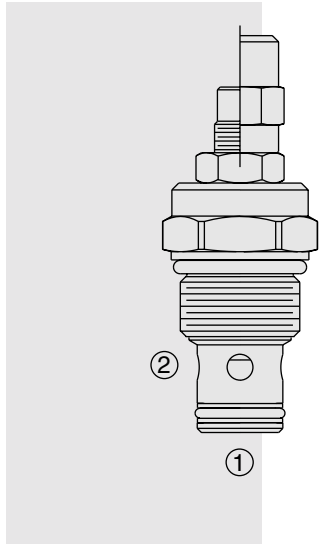


## NV10-22 Needle Valve, Lockable



### DESCRIPTION

A screw-in, cartridge-style, variable orifice, hydraulic flow restrictor valve that requires only 5-1/2 turns for full adjustment.

### OPERATION

The NV10-22 increases its orifice value from fully closed to fully open with counter-clockwise adjustment rotation. Effective adjustment is linear over the 5-1/2 turn adjustment range. Settings are lockable in any position.

### FEATURES

- Adjustments cannot be backed out of the valve.
- Desired setting may be locked down.
- Hardened parts for long life.
- Industry common cavity.
- Positive shut-off.
- Linear adjustment.

### RATINGS

**Operating Pressure:** Inlet: 240 bar (3500 psi)

**Flow:** 57 lpm (15 gpm) nominal at 11 bar (160 psi) at full open 5.5 turns

**Internal Leakage:** 0.05 cc/minute (1 drop/minute) max. at shut-off

**Temperature:** -40 to 120°C with Buna N seals

**Filtration:** See page 9.010.1

**Fluids:** Mineral-based or synthetics with lubricating properties at viscosities of 7.4 to 420 cSt (50 to 2000 ssu)

**Installation:** No restrictions; See page 9.020.1

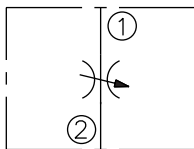
**Cavity:** VC10-2; See page 9.110.1

**Cavity Tool:** CT10-2X-X; See page 8.600.1

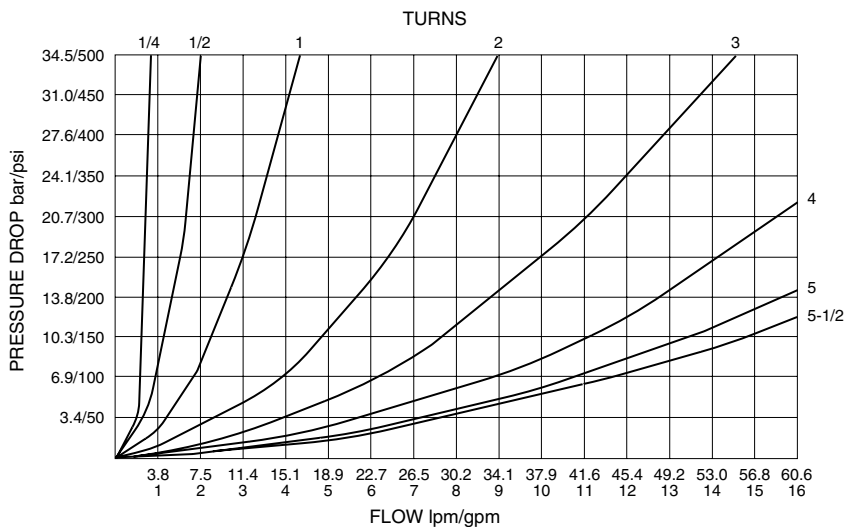
**Seal Kit:** SK10-2X-M; See page 8.650.1

### SYMBOLS

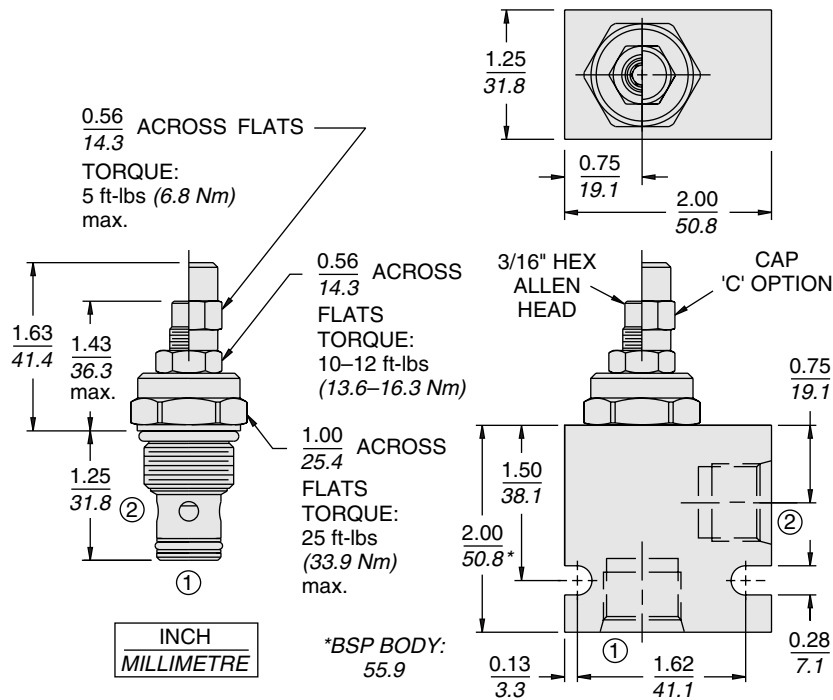
#### USASI/ISO:



### PERFORMANCE (Cartridge Only)



## DIMENSIONS



## MATERIALS

**Cartridge:** Weight: 0.15 kg. (0.33 lbs.); Steel with hardened work surfaces. Zinc-plated exposed surfaces. Buna N O-rings and polyester elastomer back-ups standard. Anodized aluminum knobs.

**Standard Ported Body:** Weight: 0.16 kg. (0.35 lbs.); Anodized high-strength 6061 T6 aluminum alloy, rated to 240 bar (3500 psi); see page 8.010.1. Ductile iron and steel bodies available; dimensions may differ; consult factory.

## TO ORDER

