

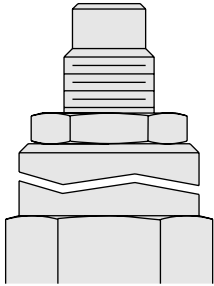
# FLOW CONTROLS

## Adjustment Options – FC, FR & NV Series

“A”

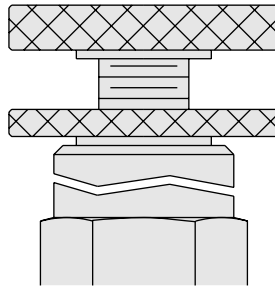
1/4-in. Hex Allen Head  
P/N 7004400

For FR valves:  
3/16-in. Hex Allen Head  
P/N 7046100



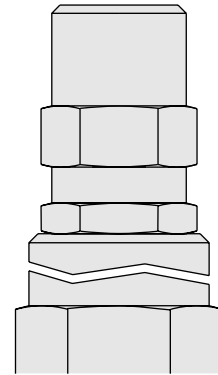
“B”

1 1/2-in. Dia. Aluminum Knob  
Kit P/N 6260010



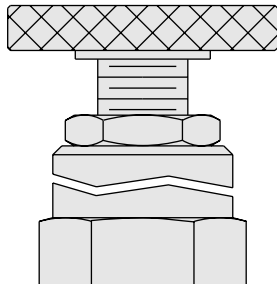
“C”

Option “A” with Cover Cap  
P/N 7006700 (Steel)



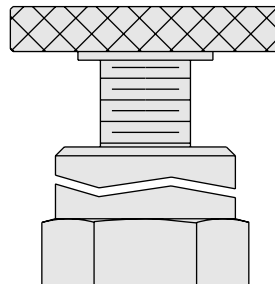
“D”

Top Knob with Lock Nut



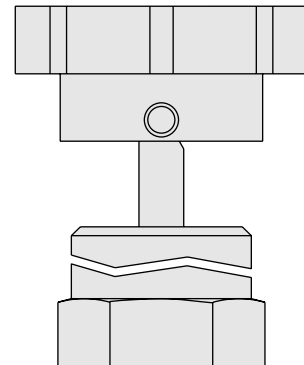
“E”

Top Knob Only  
P/N 7010250



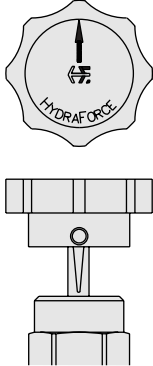
“E”

Plastic Knob  
for NVxx-21, FR12-23,  
FR12-32, FR10-33, FR12-33  
Kit P/N 6113160

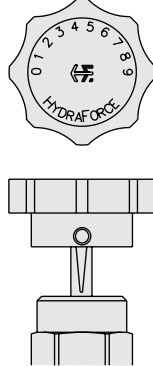


# Adjustment Options – MR Series, 180° Rotation

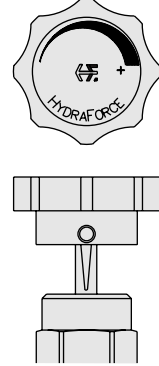
**Plastic Knob  
Pointer In-Lay  
Kit P/N 5341010**



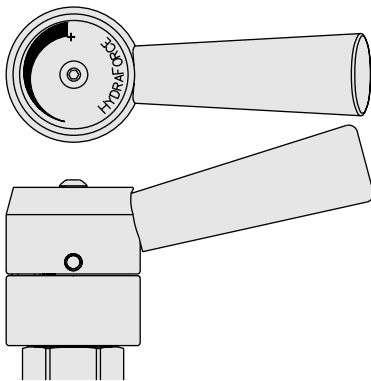
**Plastic Knob  
Numbers 1-10 In-Lay  
Kit P/N 5341020**



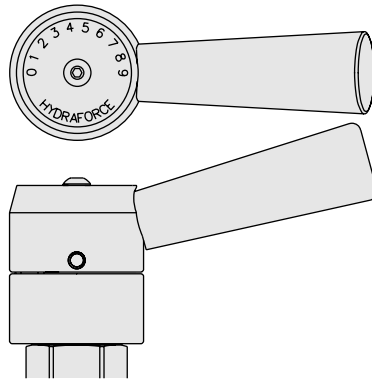
**Plastic Knob  
Flow Arrow In-Lay  
Kit P/N 5341030**



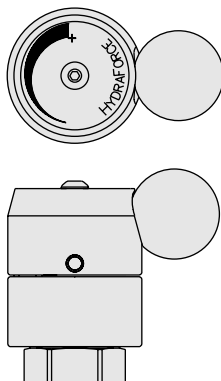
**Lever Handle  
Friction Lock  
Kit P/N 5341040**



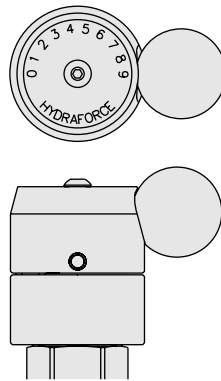
**Lever Handle  
10-Position Detent  
Kit P/N 5341050**



**Ball Handle  
Friction Lock  
Kit P/N 5341060**



**Ball Handle  
10-Position Detent  
Kit P/N 5341070**



See page 4.990.1  
for MR Series Knob/Handle  
Installation Instructions.