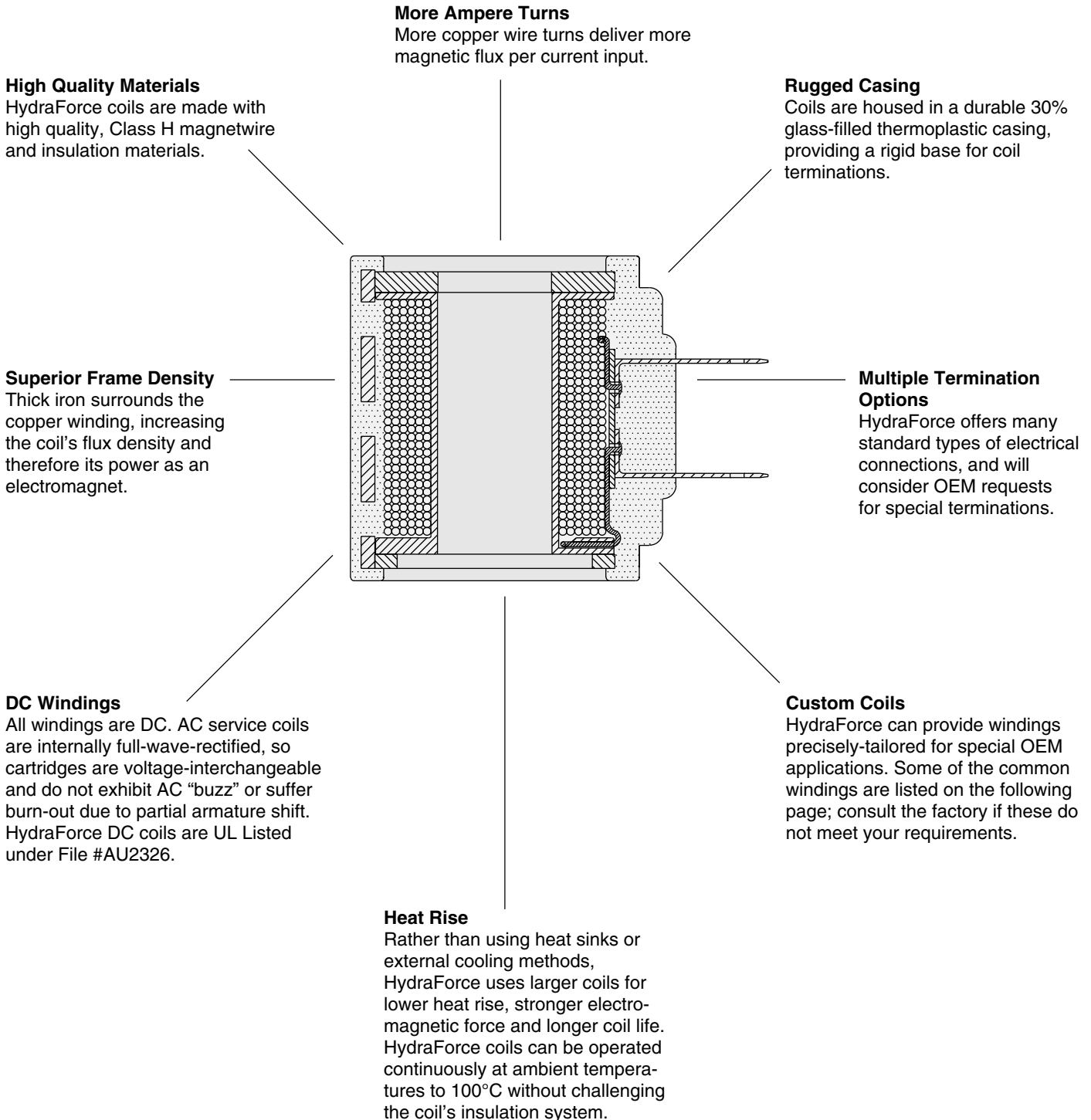


COILS AND ELECTRONIC CONTROLS

Standard Coils and Proportional Valve Coils

WHY HYDRAFORCE STANDARD COILS OUTPERFORM COMPETITIVE UNITS



Note: Some coils may differ in construction from this illustration.

Standard Coils and Proportional Valve Coils

COMMON WINDING SPECIFICATIONS

08, 80 Size Coil Data (14.7 Watts)		
Volts	Resistance (DC) @ 20°C Ohms	Initial Current Draw Amps
DC Service		
6*	2.46	2.44
10	6.8	1.47
12	9.8	1.22
20*	27.2	0.74
24	39.3	0.61
30*	61.4	0.49
36	88.3	0.41
48	156.6	0.31
72*	352.4	0.20
AC Service		
24	31.2	0.61
115	765.5	0.13
230	3035.0	0.06

*Special Order Coils

10, 38, 58, 12, 52, 16, 56 Size Coil Data (20 Watts)		
Volts	Resistance (DC) @ 20°C Ohms	Initial Current Draw Amps
DC Service		
6*	1.8	3.33
10	4.8	2.08
12	7.2	1.67
20*	19.0	1.05
24	28.8	0.83
30*	43.2	0.69
36	64.8	0.56
48	110.2	0.44
72*	249.8	0.29
AC Service		
24	23.6	0.83
115	568.0	0.17
230	2304.0	0.09

*Special Order Coils

70 Size Coil Data Proportional Coil Data		
Volts	Resistance (DC) @ 20°C Ohms	Nominal I-Max. Current Draw Amps
12	5.0	1.50
24	20.0	0.75

EHPR Coil Data Proportional Coil Data		
Volts	Resistance (DC) @ 20°C Ohms	Nominal I-Max. Current Draw Amps
10	3.1	1.50
12	5.4	1.20
20	12.5	0.75
24	21.7	0.60

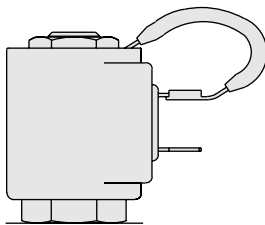
COIL INFORMATION

- AC service coils are internally rectified, and can be used in 50 or 60 cycle (Hz) lines.
- Special voltages and terminations are available for OEM applications; consult factory.
- Coil should always be installed with lettering facing up.
- Standard coils are not hermetically sealed. For applications requiring water or weather resistant coils, see pages 3.400.1-8

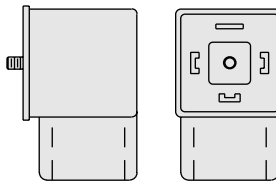
- AC voltage service with transient surges over 1000 volts may require that a varistor be placed in parallel at the coil.

Voltage	Varistor Part No.	Joule Rating Required
115	GE: V150LA10A Siemens: S10R150 or equivalent	45 minimum
230	GE: V250LA40A Siemens: S20R250 or equivalent	130 minimum

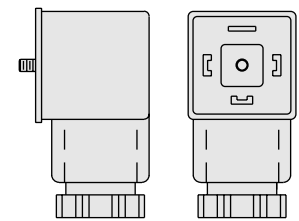
COIL ACCESSORIES



**Coil Ground Strap
for DS Coils**
HF Part No. 6502200



**DIN 43650
1/2" Conduit to Connector**
HF Part No. 6110001

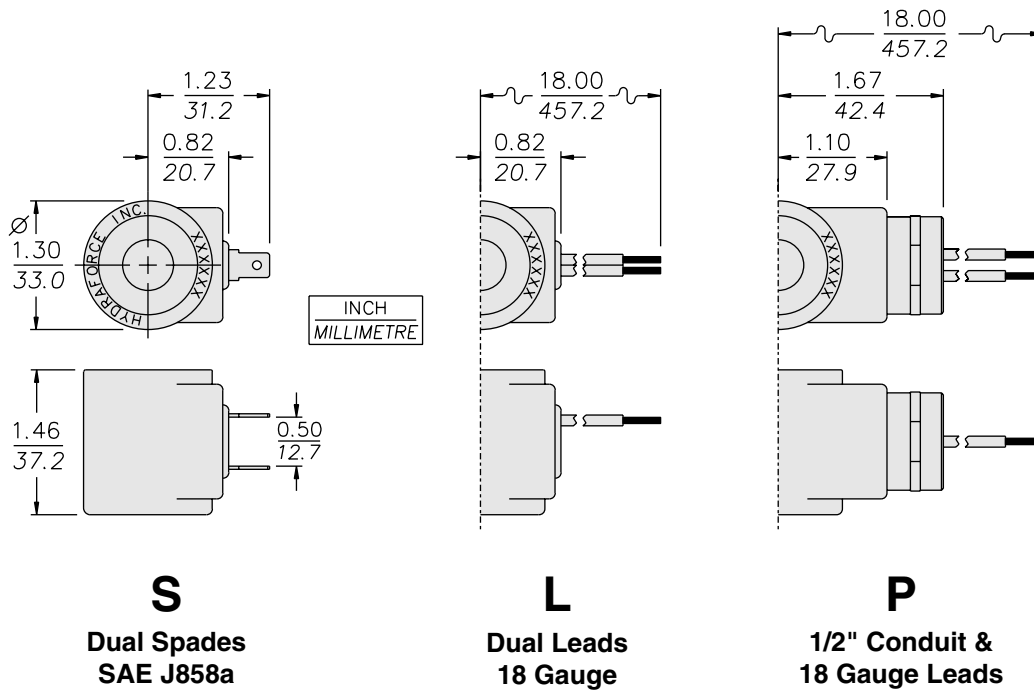


DIN 43650
Cable Gland PG 9
(7 mm nominal cable diameter)
HF Part No. 6110002
or Cable Gland PG 11
(9 mm nominal cable diameter)
HF Part No. 6110005

COILS AND ELECTRONIC CONTROLS

Standard Coils and Proportional Valve Coils

SERIES 08, 80, 88, 98 COIL INFORMATION



Optional 36-inch leads available. Consult factory.

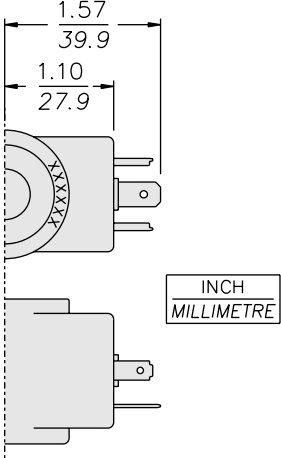
Voltage	Part Number Suffix		
	S	L	P
10 VDC	6301010	6302010	
12 VDC	6301012	6302012	6305012
24 VDC	6301024	6302024	6305024
36 VDC	6301036	6302036	
48 VDC	6301048	6302048	
*24 VAC			6315024
*115 VAC			6315115
*230 VAC			6315230

*Rectified

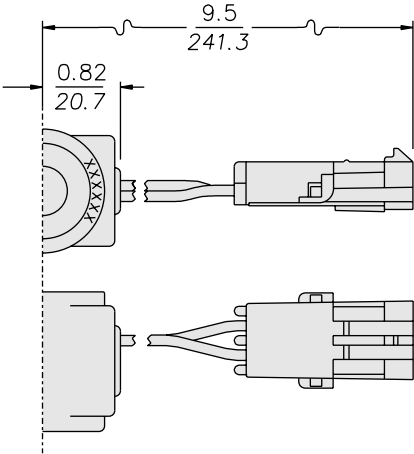
Coil Weight: 110 g. (4.0 oz.)

Standard Coils and Proportional Valve Coils

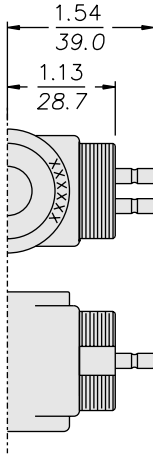
SERIES 08, 80, 88, 98 COIL INFORMATION



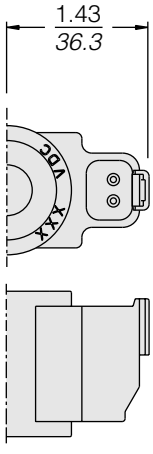
G
DIN 43650
Connector



W
Dual 18 Gauge Leads with
Weather Pack® Connector
For use with Packard part no. 12015792
male plug



K
Kostal
Connector
DK Coils; U.K.
availability only.



DR
Integral Deutsch
Connector
DR Models without Diode
DR/D Models with Diode
DR/Z Models with Zener Diode
Mating Connector:
Deutsch No. DT06-2S
HF Part No. 4001417

Voltage	Part Number Suffix					
	G	W	K	DR	DR/D	DR/Z
10 VDC		6309410				
12 VDC	6306012	6309412	6348812	4301512	4301872	4301852
24 VDC	6306024	6309424	6348824	4301524	4301874	4301854
36 VDC	6306036	6309436				
48 VDC	6306048	6309448				
*24 VAC	6316024					
*115 VAC	6316115					
*230 VAC	6316230					

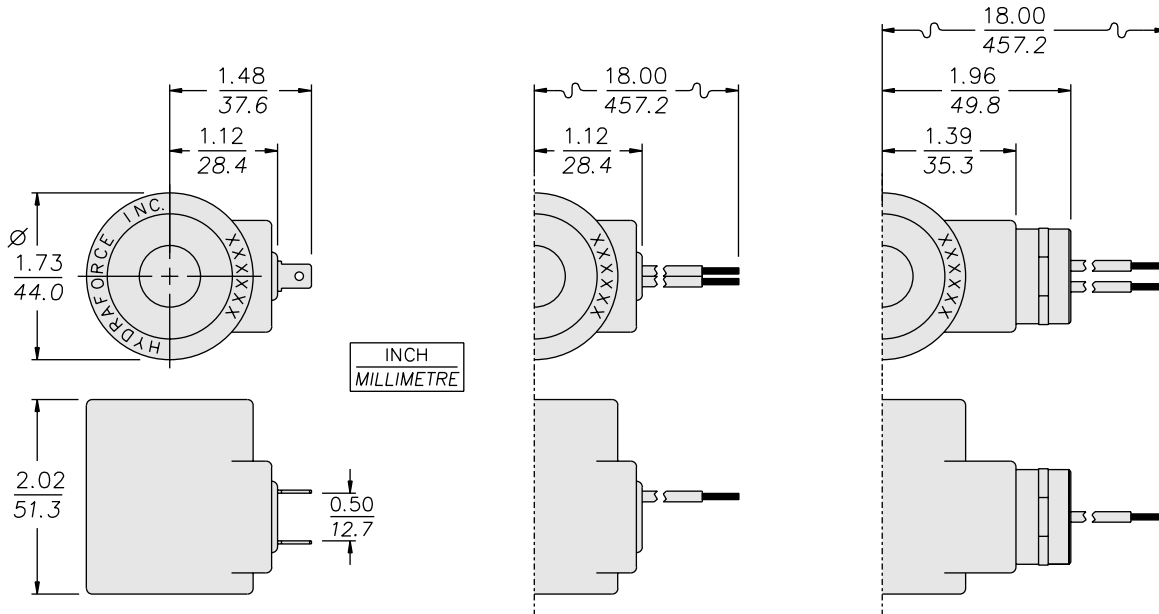
*Rectified

Coil Weight: 110 g. (4.0 oz.)

COILS AND ELECTRONIC CONTROLS

Standard Coils and Proportional Valve Coils

SERIES 10, 12, 16, 38, 58 COIL INFORMATION



S

**Dual Spades
SAE J858a**

L

**Dual Leads
18 Gauge**

Optional 36-inch leads
available. Consult factory.

P

**1/2" Conduit &
18 Gauge Leads**

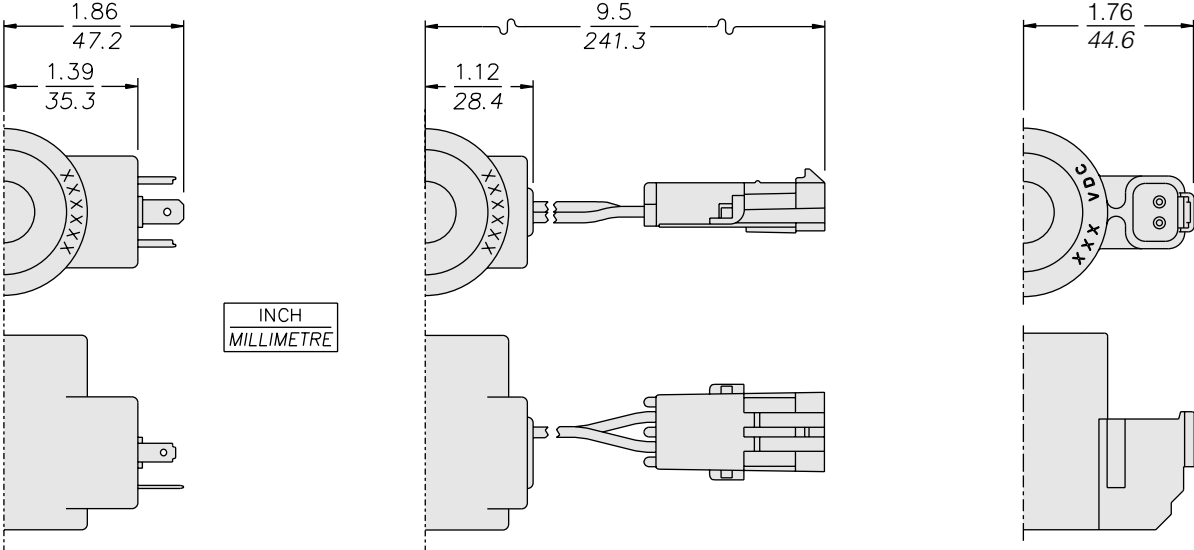
Voltage	Part Number Suffix		
	S	L	P
10 VDC	6351010	6352010	
12 VDC	6351012	6352012	6355012
24 VDC	6351024	6352024	6355024
36 VDC	6351036	6352036	
48 VDC	6351048	6352048	
*24 VAC			6365024
*115 VAC			6365115
*230 VAC			6365230

*Rectified

Coil Weight: 270 g. (9.6 oz.)

Standard Coils and Proportional Valve Coils

SERIES 10, 12, 16, 38, 58 COIL INFORMATION



G
DIN 43650
Connector

W
Dual 18 Gauge Leads with
Weather Pack® Connector
For use with Packard part no. 12015792
male plug

DR
Integral Deutsch
Connector
DR Models without Diode
DR/D Models with Diode
DR/Z Models with Zener Diode

Mating Connector:
Deutsch No. DT06-2S
HF Part No. 4001417

Voltage	Part Number Suffix				
	G	W	DR	DR/D	DR/Z
10 VDC		6359410			
12 VDC	6356012	6359412	4301612	4301892	4301862
24 VDC	6356024	6359424	4301624	4301894	4301864
36 VDC	6356036	6359436			
48 VDC	6356048	6359448			
*24 VAC	6366024				
*115 VAC	6366115				
*230 VAC	6366230				

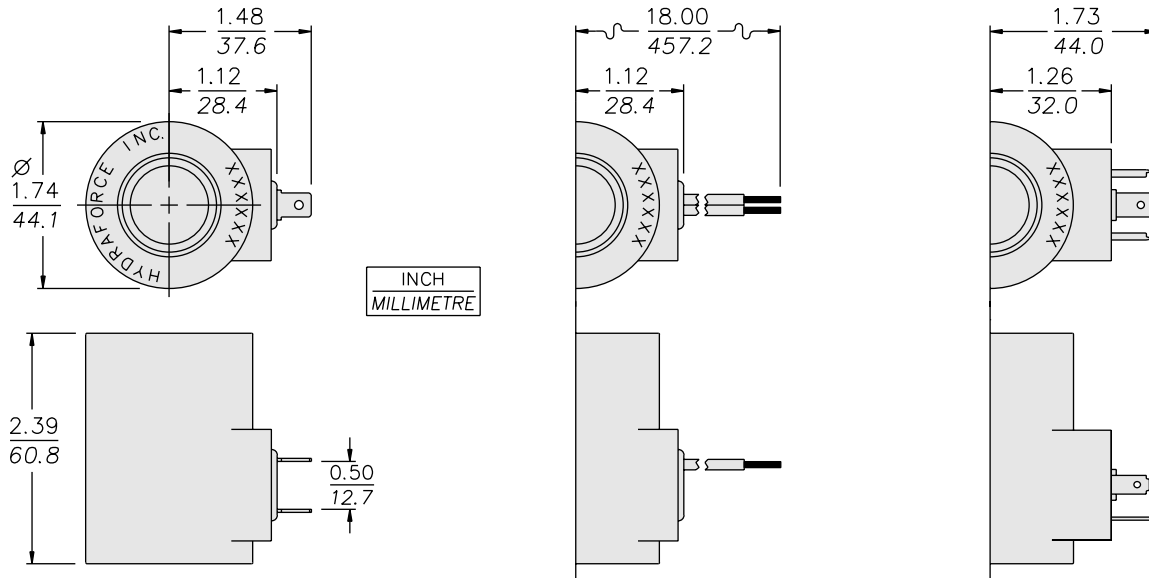
*Rectified

Coil Weight: 270 g. (9.6 oz.)

COILS AND ELECTRONIC CONTROLS

Proportional Valve Coils

SIZE 70 COIL INFORMATION



S
Dual Spades
SAE J858a

L
Dual Leads
18 Gauge

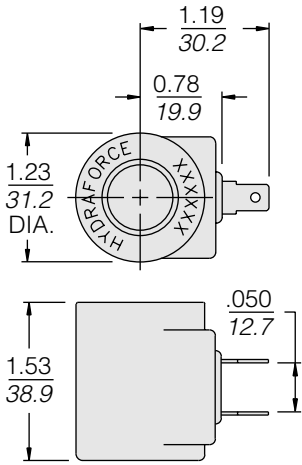
G
DIN 43650
Connector

Voltage	Part Number Suffix		
	S	L	G
12 VDC	6507112	6507212	6507612
24 VDC	6507124	6507224	6507624

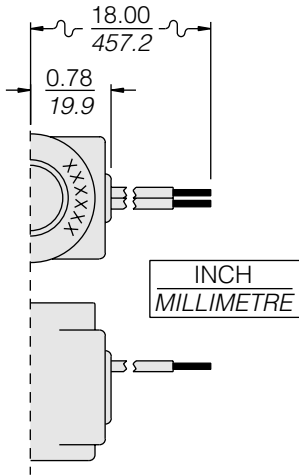
Coil Weight: 320 g. (11.2 oz.)

Proportional Valve Coils

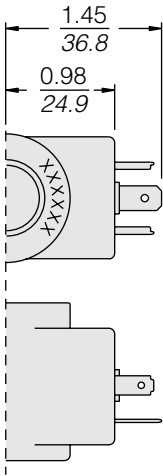
SERIES EHPR08 COIL INFORMATION



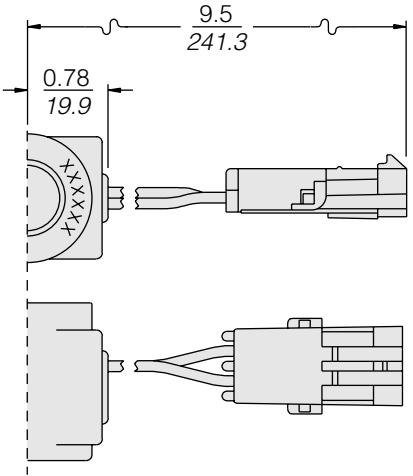
S
Dual Spades
SAE J858a



L
Dual Leads
18 Gauge
Optional 36-inch leads
available. Consult factory.



G
DIN 43650
Connector



W
Dual 18 Gauge Leads with
Weather Pack® Connector
For use with Packard part no. 12015792
male plug

Voltage	Part Number Suffix			
	S	L	G	W
12 VDC	6451112	6451212	6451612	6451512
24 VDC	6451124	6451224	6451624	6451524

Coil Weight: 110 g. (4.0 oz.)