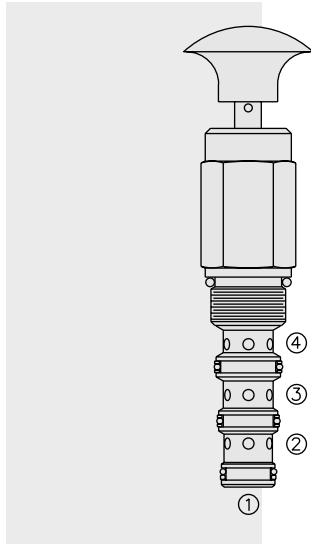


# DIRECTIONAL VALVES

## MP10-47D Manual Pull/Push-to-Shift, 3-Position,



### DESCRIPTION

A 4-way, 3-position, spool-type, motor spool, manual pull/push-to-shift, spring-return, directional hydraulic cartridge valve.

### OPERATION

In its neutral position, the **MP10-47D** blocks port ③, while allowing flow from ② to ①. In the pulled position, flow is allowed bi-directionally between ports ③ and ④ and from ② to ①. In the pushed position, flow is allowed between ports ③ and ② and from ④ to ①.

### FEATURES

- Hardened spool and cage for long life.
- Industry common cavity.

### RATINGS

#### Operating Pressure:

Ports ②, ③ and ④: 207 bar (3000 psi)

Port ① (Max.): 14 bar (200 psi)

**Flow:** See Performance Chart

**Internal Leakage:** 164 cc/minute (10 cu. in./minute) at 207 bar (3000 psi) max.

**Mechanical Pull/Push Effort Required:** 9.0 kg. (20 lbs.) initial;  
11.3 kg. (25 lbs.) full stroke

**Temperature:** -40 to 120°C

**Filtration:** See page 9.010.1

**Fluids:** Mineral-based or synthetics with lubricating properties at viscosities of 7.4 to 420 cSt (50 to 2000 ssu)

**Installation:** No restrictions; See page 9.020.1

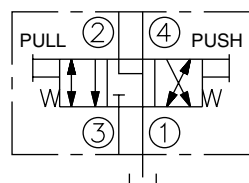
**Cavity:** VC10-4; See page 9.110.1

**Cavity Tool:** CT10-4XX; See page 8.600.1

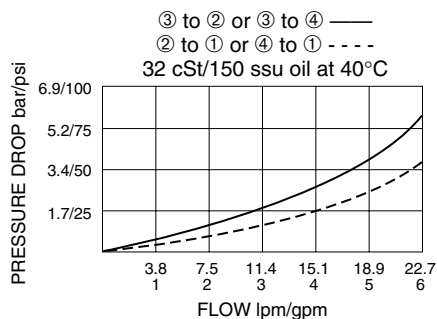
**Seal Kit:** SK10-4X-MMT; See page 8.650.1

### SYMBOLS

#### USASI/ISO:



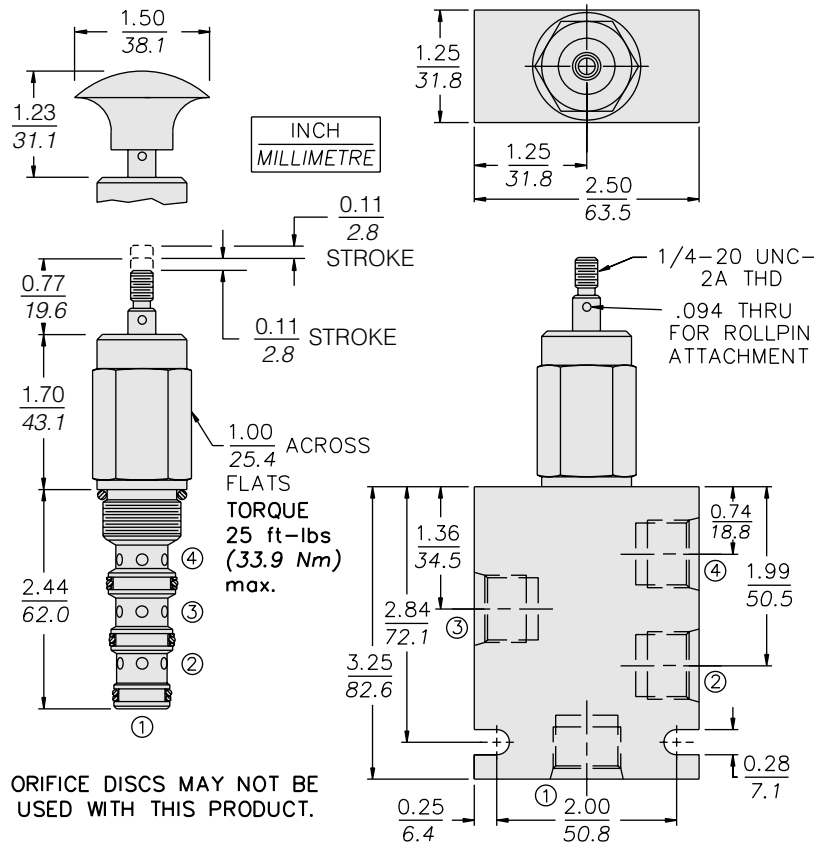
### PERFORMANCE (Cartridge Only)



# 4-Way, Motor Spool

# MP10-47D

## DIMENSIONS

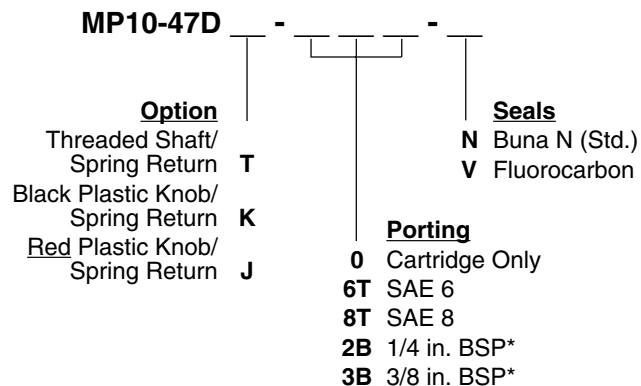


## MATERIALS

**Cartridge:** Weight: 0.32 kg. (0.70 lbs.); Steel with hardened work surfaces. Zinc-plated exposed surfaces. Buna N O-rings and polyester elastomer back-ups standard. Plastic knob optional.

**Standard Ported Body:** Weight: 0.34 kg. (0.75 lbs.); Anodized high-strength 6061 T6 aluminum alloy, rated to 240 bar (3500 psi); see page 8.010.1. Ductile iron and steel bodies available; dimensions may differ; consult factory.

## TO ORDER



\*BSP Body; U.K. Mfr. Only